

T475NCEU

Parts Catalog

# 목 차

---

## 1. 엔진 PART NO. EG

FIG 100 ENGINE	8
FIG 101 CYLINDER BLOCK	10
FIG 102 OILJET ASS'Y OPTION	12
FIG 103 CRANK SHAFT	14
FIG 104 PISTON	16
FIG 105 CYLINDER HEAD	18
FIG 106 ROCKER LEVER	20
FIG 107 HEAD COVER	22
FIG 108 GEAR CASE	24
FIG 109 IDLE GEAR	26
FIG 110 CAM SHAFT	28
FIG 111 OIL PUMP	30
FIG 112 HYD. PUMP DRIVE	32
FIG 113 2ND BALANCE	34
FIG 114 OIL PAN	36
FIG 115 INTAKE MANIFOLD	38
FIG 116 EXHAUST MANIFOLD	40
FIG 117 DPF SUPPORT OPTION	42
FIG 118 TURBOCHARGER PLUMBING OPTION	44
FIG 119 BREATHER	46
FIG 120 FUEL INJECTION PUMP	48
FIG 121 FUEL INJECTION VALVE	50
FIG 122 FUEL PIPE ASS'Y	52
FIG 123 OIL FILTER	54
FIG 124 OIL COOLER	56
FIG 125 OIL GAUGUE	58
FIG 126 OIL FILLER CAP	60
FIG 127 COOLING WATER PUMP	62
FIG 128 CRANK SHAFT PULLEY	64
FIG 129 V-PULLEY	66
FIG 130 COOLING FAN	68

FIG 131 FLYWHEEL HOUSING	70
FIG 132 FLYWHEEL	72
FIG 133 GLOW PLUG ASS'Y OPTION	74
FIG 134 STARTING MOTOR	76
FIG 135 FUEL FILTER BRACKET ASS'Y	78
FIG 136 ALTERNATOR	80
FIG 137 V-BELT	82
FIG 138 FUEL FILTER	84
FIG 139 DPF SUPPORT	86
FIG 140 DATAPLATE	88
FIG 142 DPF ASS'Y	90
FIG 143 LIFT ASS'Y	92
FIG 144 COMP. DRIVE PULLEY ASS'Y OPTION	94
FIG 145 LOOSED PARTS	96

## 2. 엔진보기품 PART NO. T2

FIG 201 AIR CLEANER	99
FIG 202 RADIATOR	101
FIG 203 MUFFLER	103
FIG 204 FUEL TANK & FILTER	105
FIG 205 ACCELERATOR	107

## 3. 클러치/브레이크/스티어링 PART NO. T3

FIG 301 CLUTCH PEDAL	110
FIG 302 FLYWHEEL & CLUTCH	112
FIG 303 BRAKE PEDAL	114
FIG 304 BRAKE	116
FIG 306 FRONT WHEEL MOUNTING	118
FIG 307 REAR WHEEL MOUNTING	120
FIG 308 STEERING WHEEL	122
FIG 309 STEERING VALVE & PARKING	124
FIG 310 STEERING CYLINDER	126
FIG 311 HAND BRAKE LINKAGE	128

## 4. 트랜스미션 PART NO. T4

FIG 401 TRANSMISSION FRONT CASE	131
---------------------------------	-----

FIG 402 INPUT METAL	133
FIG 403 INPUT GEAR	135
FIG 404 4WD DRIVE GEAR	137
FIG 405 MAIN CHANGE GEARS & REVERSE GEARS	139
FIG 406 SUB CHANGE GEARS	141
FIG 407 PINION GEARS	143
FIG 408 P.T.O DRIVE SHAFT	145
FIG 409 P.T.O CHANGE GEARS	147
FIG 410 DIFF LOCK	149
FIG 411 TRANSMISSION REAR CASE	151
FIG 412 REAR AXLE HOUSINGS (1)	153
FIG 413 REAR AXLE HOUSINGS (2)	155
FIG 414 MAIN CHANGE LEVER	157
FIG 415 SUB CHANGE LEVER	159
FIG 416 REVERSE LINK	161
FIG 417 REVERSE CHANGE LEVER	163
FIG 418 4WD CHANGE LEVER	165

## 5. 프런트 액슬 PART NO. T5

FIG 501 FRONT AXLE BRACKET	168
FIG 502 FRONT DIFF. GEARS & SHAFT	170
FIG 503 FRONT AXLE HOUSING	172
FIG 504 FRONT GEAR CASE (1)	174
FIG 505 FRONT GEAR CASE (2)	176

## 6. 유압/3점링크 PART NO. T6

FIG 601 GEAR PUMP	179
FIG 602 CYLINDER CASE	181
FIG 603 LIFT ARM	183
FIG 604 CYLINDER	185
FIG 605 POSITION LINK (1)	187
FIG 606 POSITION LINK (2)	189
FIG 607 CONTROL VALVE	191
FIG 608 POSITION LEVER	193
FIG 609 HYDRAULIC PIPE (1)	195
FIG 610 HYDRAULIC PIPE (2)	198



FIG 611 EXTERIOR HYD. VALVE	200
FIG 612 3-POINT LINK	202
FIG 613 HITCH & COVER	205
FIG 614 EXTERIOR POSITION LEVER	207

## 7. 시트메탈/캐빈 PART NO. T7

FIG 701 HOOD FRAME	210
FIG 702 HOOD	213
FIG 703 EXTENSION COVER	216
FIG 704 FENDER & REAR FRAME	218
FIG 705 DASH PANEL	221
FIG 706 FLOOR PANEL	223
FIG 707 SEAT	225
FIG 708 FRONT & REAR MOUNTING	227
FIG 709 ROPS	229

## 8. 전장 PART NO. T8

FIG 801 BATTERY & MOUNTING	232
FIG 802 LAMP	234
FIG 803 INSTRUMENT PANEL	236
FIG 804 ELECTRIC SYSTEM	238
FIG 805 HARNESS	240

## 9. 라벨/옵션 PART NO. T9

FIG 901 TOOL & ACCESSORY	243
FIG 902 WEIGHT	245
FIG 903-1 LABEL	247

## 1. 엔진 PART NO. EG

FIG 100 ENGINE	8
FIG 101 CYLINDER BLOCK	10
FIG 102 OILJET ASS'Y OPTION	12
FIG 103 CRANK SHAFT	14
FIG 104 PISTON	16
FIG 105 CYLINDER HEAD	18
FIG 106 ROCKER LEVER	20
FIG 107 HEAD COVER	22
FIG 108 GEAR CASE	24
FIG 109 IDLE GEAR	26
FIG 110 CAM SHAFT	28
FIG 111 OIL PUMP	30
FIG 112 HYD. PUMP DRIVE	32
FIG 113 2ND BALANCE	34
FIG 114 OIL PAN	36
FIG 115 INTAKE MANIFOLD	38
FIG 116 EXHAUST MANIFOLD	40
FIG 117 DPF SUPPORT OPTION	42
FIG 118 TURBOCHARGER PLUMBING OPTION	44
FIG 119 BREATHER	46
FIG 120 FUEL INJECTION PUMP	48
FIG 121 FUEL INJECTION VALVE	50
FIG 122 FUEL PIPE ASS'Y	52
FIG 123 OIL FILTER	54
FIG 124 OIL COOLER	56
FIG 125 OIL GAUGUE	58
FIG 126 OIL FILLER CAP	60
FIG 127 COOLING WATER PUMP	62
FIG 128 CRANK SHAFT PULLEY	64
FIG 129 V-PULLEY	66
FIG 130 COOLING FAN	68
FIG 131 FLYWHEEL HOUSING	70
FIG 132 FLYWHEEL	72
FIG 133 GLOW PLUG ASS'Y OPTION	74
FIG 134 STARTING MOTOR	76
FIG 135 FUEL FILTER BRACKET ASS'Y	78
FIG 136 ALTERNATOR	80
FIG 137 V-BELT	82

FIG 138 FUEL FILTER	84
FIG 139 DPF SUPPORT	86
FIG 140 DATAPLATE	88
FIG 142 DPF ASS'Y	90
FIG 143 LIFT ASS'Y	92
FIG 144 COMP. DRIVE PULLEY ASS'Y OPTION	94
FIG 145 LOOSED PARTS	96

## PARTS SUGGESTED LIST

PART NUMBER	DESCRIPTION	QTY for EACH TRACTOR
EA00004647A	OIL FILTER	1
EA00005318A	FUEL FILTER ASSY	1
16705105000	FILTER ASSY , SUCTION	1
16004340040	SEAL	2
16704340150	O RING	2
16322732000	SEAL ASSY , OIL	1
V7041400500	C-RING , SHAFT	2
V4011600160	WASHER , SPRING	30
V2193606020	BOLT , HEX/SPL	7
16995152360	COUPLING , 1/2	2
14251320150	COUPLING	2
15276040020	CLIP , TRIM	3
V4011600140	WASHER , SPRING	39
V2123606012	BOLT , HEX /SP	15
V2173608025	BOLT , HEX/S	50
V6041106208	BEARING , BALL/HL1	4
V2014616030	BOLT , HEX	16
V7041400250	C-RING , SHAFT	8
V2173608020	BOLT , HEX/S	29
14537072501	hazard SWITCH	1
V2183608020	BOLT , HEX/SP	54
16731112130	FILTER	1
V6001106210	BEARING , BALL	2
V7441254708	SEAL , OIL/D	1
V4011600120	WASHER , SPRING	40
V4111600160	WASHER , PLAIN	5
V2183608025	BOLT , HEX/SP	17
V4011600100	WASHER , SPRING	21
17995080201	UNION , 1/2	2
V2173612030	BOLT , HEX/S	22
V3043600100	NUT , HEX/2	21
V7441256210	SEAL , OIL/D	1
V7051400620	C-RING , HOLE	1
V3501600060	NUT, PUSH-ON SPRING	16
V4111600220	WASHER , PLAIN	2
V3802600060	NUT , HEX FLANGE	27
V7041400200	C-RING , SHAFT	4
21575070110	BOLT , GRIP(M6)	1
17705254200	PIN	2
V6041106210	BEARING , BALL/HL1	2
V4111600100	WASHER , PLAIN	22
14446010150	WASHER , NET	16
V7201024010	O-RING , P	1
V3043600160	NUT , HEX/2	8
V4111600120	WASHER , PLAIN	14
16709510081	WASHER , 50X67X2	2
V7201019009	O-RING , P	2
14527078702	SWITCH SET,KEY	1
V7041400400	C-RING , SHAFT	6
V5502040093	RIVET , BLIND	4

PART NUMBER

DESCRIPTION

QTY for EACH TRACTOR

16704340070	SHAFT , WHEEL	2
V7201035044	O-RING , P	1
V7211031080	O-RING , G	1
V4111600080	WASHER , PLAIN	36
V7051400420	C-RING , HOLE	1
13016060020	COVER ,LH RR LAMP	1
V6001106207	BEARING , BALL	4
V3002600060	NUT , HEX/1	4
16704110121	SHIM	2
V4011600060	WASHER , SPRING	1
13156642202	SWITCH , COMBI	1
V4111600140	WASHER , PLAIN	4
14527023300	LAMP ASSY , RR COMBINATION	2
V3043600120	NUT , HEX/2	18
16999052300	PUMP ASSY , FUEL PUMP	1
15024320020	BEARING , TAPER ROLLER	2
V3013600060	NUT .HEX NORMAL /2	2
11103062000	GAUGE ASSY , OIL LEVEL	1
13831221120	ELEMENT	1
V7051400900	C-RING , HOLE	4
V4011600080	WASHER , SPRING	26
14581212100	DISK ASSY , CLUTCH 225	1
V2173608016	BOLT , HEX/S	28
V3043600140	NUT , HEX/2	8
12009100190	LABEL , WARNING BELT	1
V4111600060	WASHER , PLAIN	14
14211340190	COUPLING	1
14321200040	SPRING , TENSION 31	2
V5201010022	PIN , PARALLEL/A	12
12009100240	LABEL , CAUTION MUFFLER	1
V7051400800	C-RING , HOLE	4
35605033020	WASHER , WIRE WITHDRAWAL	26
16735240060	Spring	4
16704074104	SET , BALL JOINT	2
10525142500	CHAIN ASSY , CHECK	2
12009100130	LABEL , DANGER PTO	1
12009100020	LABEL , WARNING PARKING	1
12009100030	LABEL , WARNING EXHAUST	1
V7041400300	C-RING , SHAFT	2
12009100120	LABEL , CAUTION FAN	2
14524070081	CYLINDER COMP	1
V6802000010	BALL , STEEL	7
V7201024016	O-RING , P	3
12009100140	LABEL , WARNING DRAW	1
V2193606016	BOLT , HEX/SPL	17
12009100230	LABEL , CAUTION OPERATION	1
12009100060	LABEL , WARNING DIFF	1
17689100170	LABEL , CAUTION SAFETY	1
12009100050	LABEL , WARNING FIRE	1
V2173610025	BOLT , HEX/S	4

PART NUMBER

DESCRIPTION

QTY for EACH TRACTOR

12009100210	LABEL , WARNING THROTTLE	1
16003302101	TANK ASSY , RESERVE	1
13377210020	WASHER , 11X24X3	2
V6001106204	BEARING , BALL	4
16507027500	PIN COMP , FIXED	2
V7051400950	C-RING , HOLE	3
13603102000	CAP ASSY , TANK	1
V7201024021	O-RING , P	2
13305080890	BOLT , STUD 90	2
V3043600080	NUT , HEX/2	23
V7051400320	C-RING , HOLE	1
V7041400350	C-RING , SHAFT	3
V5001920015	PIN , SPLIT	4
14601212200	COVER , CLUTCH	1
16995304000	UNION , O-RING	1
V7051400470	C-RING , HOLE	2
16705125201	LEVER COMP , AUX2	1
12383240040	SEAL , SHAFT	2
13022250030	SPRING , SHIFTER	6
V7041400450	C-RING , SHAFT	2
V3042600080	NUT , HEX/2	22
79642010080	SHIM , B	2
V3013600160	NUT , HEX/2	2
13016061300	FIX PLATE , RR LAMP	2
19027210060	NUT , NYLON , M6	6
12209045051	LABEL , ROPS WARNING/REMODELIN	1
15721022100	FILTER ASSY , FUEL	1
14215020020	PIN , LINK	3
V6001106212	BEARING , BALL	1
V2113606010	BOLT , HEX /S	1
14152050160	SHIM , B	1
13016060030	COVER , RH RR LAMP	1
V6001106305	BEARING , BALL	2
14254310080	SHIM , A	1
V2183608030	BOLT , HEX/SP	2
15645220011	PIN , 19X86	1
V3802600080	NUT , HEX FLANGE	24
15186070020	BOLT , KNOB M8X31	2
V6001106211	BEARING , BALL	1
15155262340	PIN , 22X56	2
13267028202	SOCKET ASSY , TRAILER	1
12009100160	LABEL , DANGER RIDING	1
V1222604012	SCREW , C/R PAN/SP	4
V7811600006	PLUG , SQUARE	5
17995070270	BUSH , 16X18X33	1
V5001920020	PIN , SPLIT	13
12009100010	LABEL , WARNING SUB SHIFTER	1
15601160083	PIN , 06X16	1
V2183608016	BOLT , HEX/SP	21
V2173608070	BOLT , HEX/S	1

PART NUMBER

DESCRIPTION

QTY for EACH TRACTOR

12009100150	LABEL , WARNING RADIATOR	1
15155262330	SPRING , EXTENSION	2
79636110030	PIN , 12X48	2
V5001925020	PIN D2.5x20	7
15645220020	PIN , 19X95	1
15602870024	BUSH , 16X24X15	2
12009100040	LABEL , WARNING STOP VALVE	1
V5801406032	PIN , SPRING	3
16702190060	GRIP , 4WD	1
V3013600100	NUT .HEX NORMAL /2	2
V7201057070	O-RING , P	2
17699100090	LABEL , WARNING JOYSTICK	1
V5601600008	PIN , SNAP	5
15186213200	SWITCH ASSY , STOP LIGHT	1
V2183608012	BOLT , HEX/SP	1
12147078721	KEY SET	1
14254330180	CAP , 72	1
17699100100	LABEL , WARNING JOYSTICK	1
V5201010020	PIN , PARALLEL/A	1
V7212031050	O-RING , G	2
12009100080	LABEL , WARNING TILTING	1
14322420010	PIN	8
V5001940035	PIN , SPLIT	2
12609040620	LABEL , STARTING WARNING	1
V7051400720	C-RING , HOLE	3
V2173612040	BOLT , HEX/S	26
15155262360	PIN , SPRING	2
V2144610030	BOLT , HEX FINE /S	4
V5801405036	PIN , SPRING	3
V2113606012	BOLT , HEX /S	1
V2183606020	BOLT , HEX/SP	2
15601320073	NUT , HEX LH	5
V7081400080	E-RING	2
V3042600100	NUT , HEX/2	4
V7051400250	C-RING , HOLE	1
15603200010	BOLT , STUD M16X30	8
14726071101	GRIP COMP	1
V7201035040	O-RING , P	1
14046210300	GROMMET	8
15241220010	PAD	3
10037018500	SOCKET ASSY , POWER	1
16702440070	HUB(13*17*61)	2
V7201024014	O-RING , P	1
V7081400120	E-RING	1
17994420060	SNAP RING , C TYPE	3
36212110030	WASHER , TENSION ARM	1
V2173612035	BOLT , HEX/S	8
15184322500	CAP ASSY , OIL	1
V6001106005	BEARING , BALL	2
V7081400060	E-RING	8

PART NUMBER

DESCRIPTION

QTY for EACH TRACTOR

V2183610035	BOLT , HEX/SP	2
V4111600200	WASHER , PLAIN	2
14445140051	PIN , 19	2
V7211031055	O-RING , G	1
V2013610035	BOLT , HEX	4
V1112606040	SCREW , C/R PAN	1
12009100070	LABEL , WARNING BRAKE	1
V2323606016	BOLT , C/R HEX/SP	11
V7081400100	E-RING	4
13731210010	WASHER , 9X22X2	8
V6041106205	BEARING , BALL/HL1	1
V2014612030	BOLT , HEX	7
12209045010	LABEL , ROPS DANGER	1
17689200050	LABEL , DIFF	1
15605150031	HOSE , 100	1
V7041400280	C-RING , SHAFT	2
14602130030	WASHER , 20X34X3	1
16505245501GB	LINK ASSY , TOP LINK	1
V7201024012	O-RING , P	4
14725182210	SOLENOID COIL	1
12209045020	LABEL , ROPS WARNING	1
V2013610030	BOLT , HEX	1
V2183610025	BOLT , HEX/SP	3
16507027801	BOLT , SET	2
V2024614040	BOLT , HEX FINE	12
V2173608045	BOLT , HEX/S	9
V7441304508	SEAL , OIL/D	1
14473172601MS	WHEEL SET , W10-24	2
14614172200MS	RIM , W6-16	2
V7051400750	RING , C TYPE	1
16702230371	PLATE	5
16702142010	BUSH , 17X25X19	1
12651040300	CAP , RADIATOR	1
35602010150	WASHER , BIND SHAFT	12
13016063000GB	PLATE COMP , RH RR LAMPCOVER	1
V3043600060	NUT , HEX/2	2
V4011600050	WASHER , SPRING	2
V7441142508	SEAL , OIL/D	1
V5801405025	PIN , SPRING	1
V2514412040	BOLT , STUD/2	2
17405100011	HOSE	1
V6041106305	BEARING , BALL/HL1	3
V7041400160	C-RING , SHAFT	1
18025070702	CABLE ASSY , EXTERNAL POSITION	1
13606642401	FLASHER ASSY	1
36108010080	SPRING , ENTRANCE FOR SEED(HCO	2
13016062000GB	PLATE COMP , LH RR LAMPCOVER	1
16705050060	RING	2
36104400180	WASHER	1
16996210370	PACKING	1



PART NUMBER

DESCRIPTION

QTY for EACH TRACTOR

16704320050	WASHER , THRUST	2
V7441253506	SEAL , OIL/D	2
V2013614035	BOLT , HEX	4
V2183606016	BOLT , HEX/SP	16
15642212050	CLUTCH , DISK	5
V7081400090	E-RING	5
37371720090	CLAMP , W/HARNESS	1
14527060010	WASHER , JERBSI SPRING/10	2
16706642301	GAUGE ASSY , FUEL TANK	1
V3232600100	NUT , HEX SLOT & CASTLE	1
V6041106209	BEARING , BALL/HL1	2
14326510210	CAP , RUBBER 20	4
16704112120	COLLAR	1
V7211031045	O-RING , G	2
11644012302	CAP(TYM) , STEERING WHEEL	1
V2004616050	BOLT , HEX	2
V5801403025	PIN , SPRING	1
V6041106304	BEARING , BALL/HL1	1
13011042110	CAP 0.9bar	1
14524054003	STEERING VALVE UNIT	1
16606510210	CAP , RUBBER 30	6
14273010050	COLLAR , THRUST	2
V3343600160	NUT , HEX FINE/2	2
V1122605012	SCREW , C/R FLAT	4
14051060030	WASHER	2
16703180191	PLATE , STOP	1
15602231610	BOLT , SET M8X16	2
14272010160	CAP	8
15605250030	BAND , 470	1
V4111600240	WASHER , PLAIN	1
V2183610020	BOLT , HEX/SP	6
16702430022	STAY , RANGE SHIFT	1
16703180511	SHIM , O/0.5	1
V6041106206	BEARING , BALL/HL1	2
V1122608016	SCREW , C/R FLAT	4
18027090200	BAND CLAMP 20 EMBO TYPE	4
17995050100	VALVE ASSY , MAIN CONTROL	1
16704310160	GEAR , DIFF SIDE(20)	2
14661042340	SPONGE , SIDE 500	2
16601220020	TURNBUCKLE , M8 L60	5
14045030060	PACKING , OIL PUMP	1
16704310031	CASE , FR DIFF	1
12632152000	CABLE ASSY , REVERSE	1
10525147000GB	LINK ASSY , LH 3POINT	1
10525149000GB	LINK ASSY , RH 3POINT	1
12394125100	CAP ASSY , OIL	1
16342212050	CLUTCH , PLATE	6
18027090400	BAND CLAMP 40 EMBO TYPE	6
36402602001	RUBBER COMP	1
16703180181	SHIM , O/0.1	2

PART NUMBER

DESCRIPTION

QTY for EACH TRACTOR

15642212090	SEAL , C	1
V7201124020	O-RING , P	1
V2013608035	BOLT , HEX	5
V3023600220	NUT , HEX/3	1
36313530021	ADAPTER , HIGH-PRESSURE	1
16703122103	ARM COMP , 4WD	1
14445070030	GRIP , LEVER	2
13424020060	CABLE TIE , 300	22
16995152420	CAP , DUST	2
14526210301	CUSHION RUBBER , RADIATOR	2
V1112605030	SCREW , C/R PAN	7
14326160020	RUBBER , CUSHION	2
14979010070	LABEL , SHIFT	1
16703180171	SHIM , O/0.2	2
84200001200	NUT , NYLON	0
16703180080	SHIM , O/0.2	6
V7441203208	SEAL , OIL/D	1
V3052600160	NUT , HEX/3	1
15640040001	VALVE , SUB FLOW CONTROL	1
16606070031	CAP , 9	6
12385142300	PIN COMP , RH	1
16702110013	GEAR , HELICAL 17T	1
V5801408036	PIN , SPRING	1
14443140041	COLLAR , 35X50X2	1
V2514410050	BOLT , STUD/2	4
V5001930020	PIN , SPLIT	2
V7811600008	PLUG , SQUARE	1
15606950150	CABLE TIE , 370	2
V2173610030	BOLT , HEX/S	10
V3342600100	NUT , HEX FINE/2	6
14043120060	PIN , YOKE	4
15991040050	COLLAR , 08X12X08	4
V5111006036	PIN , TAPER SPLIT	2
V5211008016	PIN , PARALLEL/B	3
16702611301	GEAR , SPUR 29-28T ASSY	1
15966250010	INSULATOR	5
17406203201GB	GRILLE COMP	1
V7631500000	NIPPLE , GREASE/B-PT	3
10011162400	RUBBER , WIRE RETAINING	1
16505245530	NUT , HEX	1
13602470020GB	LINK , HITCH	1
16703180110	SHIM , P/0.1	2
15603102011	PLATE COMP , DISK	6
13605200012GB	COVER , SHIELD	1
V1122608040	SCREW , C/R FLAT	4
13764020030	CABLE TIE , 140	11
16702611030	WASHER , 20X30X1.0	1
12621330001	ROD ASSY , CLUTCH	1
17406525002	HEAD LAMP ASSY , RH	1
14586702100	SWITCH ASSY , LIMIT	1

PART NUMBER

DESCRIPTION

QTY for EACH TRACTOR

15189240160	NUT , NYLON , M16	2
17406524002	HEAD LAMP ASSY , LH	1
V7201124022	O-RING , P	1
V5801406025	PIN , SPRING	4
14256210040	CLAMP , 9	11
16704320020	PINION , DIFF(12)	2
V6041106306	BEARING , BALL/HL1	2
V6802000019	BALL , STEEL	8
V2014614035	BOLT , HEX	2
18027090160	BAND CLAMP 16 EMBO TYPE	11
10525244000GB	ROD ASSY , RH LIFT	1
16702232001	ROD SET , MAIN SHIFT	1
13822442400	GRIP , MAIN CHANGE	1
EA00005847A	DPF REGEN CONTROLLER	2
17973030420	SPRING	1
17995050090	BUSH , 50X55X40	1
36423600080	CLIP , HOSE D=12.5	2
V2193606025	BOLT , HEX/SPL	8
V2014612075	BOLT , HEX	2
13606313000	MIRROR ASSY	2
16703180120	SHIM , P/0.2	2
V2514410028	BOLT , STUD/2	4
15605110054	GRIP , 3X17X97	1
37371540030	RUBBER , SEAT	1
15155262350	GRIP	2
16702130031	WASHER , 27X39X2.8	1
12656060041SR	FENDER , LH	1
13831510400	HOSE , RESERVOIR TANK	1
13012060070	RUBBER ,8.5X30X5	4
10526060021SR	FENDER , RH MUD GUIDE	1
14443272021	PLATE , SEPARATE	4
18716642500	SWITCH SET , PUSH	1
16705145100	SLIP COMP	1
16703272030	SPRING , RETURN	6
16705030030	SHAFT , SLOW RETURN(76)	1
14576252101GB	BRACKET COMP , FR MOUNTING	1
14443140091	CAP , PTO SHAFT	1
17406203700GB	NET , UPR/RH	1
16702430010M	FORK , RANGE	1
14572220050	GEAR , HELICAL 21T	1
16702432002	ARM SET, RANGE	1
V2013612080	BOLT , HEX	2
V2173608030	BOLT , HEX/S	4
16703180100	SHIM , P/3.0	1
V2014612160	BOLT , HEX	8
13266212003	HORN	1
16704332220	BUSH , 50X55X20	1
17406212000	EMBLEM ASSY , V5	1
V2013608025	BOLT , HEX	1
36217020030	WASHER , PULLEY	4

PART NUMBER

DESCRIPTION

QTY for EACH TRACTOR

12633000002	DIFF ASSY , RR	1
16703180090	SHIM , O/0.1	2
16492092001	SYNCHRONIZER ASSY	1
15642160041	WASHER , 30X46X3	1
V2013612085	BOLT , HEX	2
12385142200	PIN COMP , LH	1
V2183612020	BOLT , HEX/SP	10
16700070000	VALVE ASSY , RELIEF	1
16322730030	SHIM , 0.5	1
V6041106009	BEARING , BALL/HL1	1
12383240050	STOP RING	2
16703180130	SPACER , BEARING	1
13606571000	REAR REFLECTOR	2
V2173608085	BOLT , HEX/S	2
15603142910	BUSH , 16X18X15	2
V2113606025	BOLT , HEX /S	5
13836204510SR	CAP , BOLT/M6	8
V5801408060	PIN , SPRING	1
10525262200GB	LINK ASSY , RH LOWER	1
V7201124016	O-RING , P	1
13212543530	GEAR , SPUR PTO 11	1
16703020040	NUT , M33X1.5	1
16705010110	RING	1
15646542130	BULB , 12V 21W	2
13367023400	LAMP ASSY , STOP	2
17995070170	PLATE , D	1
36527040020	CLAMP , 20X180	1
20085312600	SWITCH ASSY , MARKER	2
17995161130	UNION , PF3/8 PF1/2	2
16702553100	ROD , 236	1
11106020010	SPRING , TENSION 40	2
16735243500	PIN	2
11106684300	HARNESS ASSY , EARTH	1
12209040030	LABEL , ROTARY	1
13267060022	PLUG , DRAIN	2
15602080224	COUPLING , 51X72X18	1
13016020010	BOLT, FIX	2
36576180050	RUBBER , CUSHION	1
13015300010	COVER , JOYSTICK	1
14572410010	WASHER , 28X46X3	1
14521302150	BUSH , BAR COMP	2
17995070180	SPRING	1
14884110090	NUT , M30	1
V2123606030	BOLT . HEX /SP	4
13836202450	TOOTHED LOCK WASHER	12
14722212090	RING , PISTON	1
17406203900	INSULATOR , HOOD	1
14141170050	LINING , 13X50X3	1
36461020111	BUSH , 14X16X20	1
16505245520	LINK COMP , LH TOP LINK	1

PART NUMBER

DESCRIPTION

QTY for EACH TRACTOR

15263202050	WASHER	8
16703140011	SHAFT , PTO	1
S0973063031	PIN ASSY	1
14524322000M	HOUSING , FRONT AXLE	1
16704110060	SHAFT , DIFF PINION	1
16704310040	SPACER , R	1
V2513412045	BOLT , STUD/2	2
V7201035022	O-RING , P	1
13871120090	GRIP , EXTERIOR POSITION	1
14527078550	LABEL,PTO	1
10525262300GB	LINK ASSY , LH LOWER	1
V2514414030	BOLT , STUD/2	4
V6041106004	BEARING , BALL/HL1	2
14482092100	SYNCHRONIZER ASSY	1
V2014616050	BOLT , HEX	1
16703180521	WASHER , THRUST	2
13012011110	CONNECTOR(PT3/8)	1
14835182001	VALVE ASSY , PTO	1
36753302201GB	HOLDER COMP , TANK/RESERVE	1
V2173608050	BOLT . HEX/S	2
13016202060	PIN , HOOD	1
12009040041	LABEL , HYDRAULIC CONTROL	1
14216020051	RUBBER , CUSHION B	3
18716641110	RELAY , PREHEAT	2
17994360221	CONNECTOR	2
16702555102	HOOK SET , RR PTO	1
13003180200	WASHER , PINION THRUST	2
11105030051M	PISTON , HYD	1
17131049210	HOSE CLIP 11	1
15252470010	RUBBER , CUSHION	1
16996300210	INSULATOR	1
12622832000GB	LEVER COMP , SHUTTLE	1
14885251100	HOOK , TOPLINK	1
V5601600160	PIN , SNAP	2
14572220060	GEAR , HELICAL 24T	1
13151112011	INSULATOR , 40X70	1
16001200080	RETURN SPRING , BRAKE	1
15605260014	PIN , 16X51	2
14555140251	TURNBUCKLE COMP	1
16703270011	CAM	2
16994080061	UNION , PT3/8 M18	1
16702244202	PIN COMP , MAIN CHANGE	1
15062470050	PIN , DRAW BAR	1
14466220030	COVER	1
17406203500GB	NET , UPR/LH	1
V7041400140	C-RING , SHAFT	1
V2053605010	BOLT , HEX C/R	5
EA00005797A	ELECTRONICAL EXHAUST VALVE ASS	2
14441010161	CLAMP , RADIATOR HOSE	5
16704362221	BUSH , 75X80X30	1

PART NUMBER

DESCRIPTION

QTY for EACH TRACTOR

V6341132207	BEARING , TAPER-ROLLER	1
16702191050	WASHER , 15.2X21X2	1
16992190102	GRIP , PTO	1
16703282302	ROD COMP , HOOK 644	2
14276010030	WASHER , 15X24X2	2
16606062603GB	STEP,COMP	1
14572411022	GEAR , SPUR 29T	1
16702252000	ARM SET , REVERSE	1
17995040170	WASHER , LOCK	1
17995070200	PLATE , A	1
17406203600GB	NET , LOW/LH	1
V5901010150	WIRE , STEEL	1
10525243000GB	ROD ASSY , LIFT	1
12120028430	SWITCH , BATTERY	1
14722212020	PISTON	1
V6341130207	BEARING , TAPER-ROLLER	1
V6041106011	BEARING , BALL/HL1	1
17995031000	ROD ASSY , PISTON	1
16702240051	BOLT , M6X45	1
16586652000	HORN COMP	1
12626010200	INSULATOR , SIDE COVER/LOWER	4
16702421010	GEAR , 24-11T	1
14151210090	BOLT , REAMER	1
12381040050	COLLAR , 08X12X7.3	4
V3402600100	NUT , HEX CAP	2
13607010012GB	NUMBER PLATE	1
15189030060	LABEL , PORT	1
16704020020	SPACER (F)	1
12383240020	GEAR , WHEEL 54T	2
16705060010	JOINT POSITION	1
14887024000	LAMP ASSY , NUMBER PLATE	1
14216210380	CABLE TIE , 200	4
15642212060	PLATE , RETURN	1
14722212070	DISC	1
16703180022M	FORK , DIFF LOCK	1
15605070070	KNOB , SLOW RETURN	1
11106685001	HARNESS ASSY, HEAD LAMP	1
14444120090	WASHER , SEAL	1
14572412300	GEAR COMP , HELICAL 14T	1
14326210061	NUT , LOCK M12	2
14722212040	SPRING	4
16705100100	ELBOW UNIT , PF 3/8XM16	1
12623283100	PIN COMP	2
16702230023M	FORK , 1ST/2ND	1
16705060060	UNION	2
16705060051	PIN , POSITION	1
16705062301	ARM , COMP , POSITION	1
16702240060	BUSH , 12X14X08	1
13602470010GB	LINK , DRAW BAR	1
18027090600	BAND CLAMP 60 EMBO TYPE	1

PART NUMBER

DESCRIPTION

QTY for EACH TRACTOR

15603160025	TUBE , STRAIGHT 80	1
16705143002GB	BRACKET COMP , LH CHECK	1
13836202420	INSULATOR , SIDE RR/LH	1
13836202440	INSULATOR , HOOD	2
13836015401	INSULATOR ASSY , UPPER/HOOD	1
13836202410	INSULATOR , HOOD	1
12386400011	LABEL , SEAL CLUTCH	1
12624042100GB	PIN COMP , 16X21	2
13835163000	FILTER ASSY , LINE	1
11815252250	SPOOL CONNECT PIN	2
10525145200	FORK COMP , LOW	1
13212543500	GEAR ,SPUR( PTO 54T)	1
13212540020	STAY , PTO SHIFT	1
14572420021	GEAR , HELICAL 37T	1
15640090001	VALVE ASSY , RELIEF	1
V2013608090	BOLT , HEX	3
19026010020	COLLAR , 10X12X08	1
14521170040	GRIP,REVERSE	1
16997021960	INSULATOR , 32	1
16791220010	PAD	1
13003180060	GEAR , BEVEL 18T(RH)	1
16703180161	HUB , DIFFLOCK	1
12383200011M	HOUSING , RR AXLE	2
16703230012	PINION , LH WHEEL	1
16702131033	GEAR , SPUR/41T	1
16702211900	GEAR ASSY , HELICAL 28T	1
16705022200	CLEVIS COMP	1
14942632110GB	LEVER , 4WD	1
17136250030GB	PLATE , 80X6T	4
13834012100	STEERTING WHEEL	1
V3002600050	NUT , HEX/1	2
18501044100	COOLER COMP, FUEL	1
V2173610060	BOLT , HEX/S	8
12383240030	COLLAR , 50X60X238	2
14944050100	ELBOW PF3/8XM16 ,45	1
14572220020	GEAR , HELICAL 29T	1
17406203800GB	NET , LOW/RH	1
36707030080	BUSH , 20X23X20	7
16505245510	LINK COMP , RH TOP LINK	1
16702540011M	FORK , PTO	1
16702212000	CLUTCH ASSY , PTO CLUTCH	1
13003180040	PINION , DIFF 10	2
16702622103	ARM COMP , 4WD	1
16702230300	STAY , MAIN SHIFT	1
16705060020	BOLT , SUPPORT1	2
17406203010GB	PLATE , UPR/SIDE	4
14886562000	LAMP ASSY , POSITION	2
14729040200	LABEL , PTO LEVER	1
16703230024	PINION , RH WHEEL	1
16702121023	GEAR , SPUR 24T	1

PART NUMBER

DESCRIPTION

QTY for EACH TRACTOR

16702131021	GEAR , HELICAL 42T	1
16702211500	GEAR ASSY , HELICAL 32T	1
14444080062	CONNECTOR	1
13017020040GB	PLATE , W/O ROPS	2
V2513408025	BOLT , STUD/2	5
12384043300GB	BRACKET COMP,STEERING	1
V2013608030	BOLT , HEX	1
EA00004235A	GASKET	2
16702250060	STAY , SHIFTER REVERSE	1
12632211010	SHAFT , MAIN SHIFTER	1
16702230043M	FORK , SYNCHRO	1
17995040131	ROLLER	1
14572230320M	ARM , CHANGE	1
13831042100	RADIATOR SET	1
13832552200GB	LEVER COMP ,PTO/UPPER	1
13832442400	GRIP , CHANGE RANGE	1
16704052701	HOSE ASSY , HYD 400	1
14724010052	BOOT , TILT	1
V2024612085	BOLT , HEX FINE	4
16703002020	GEAR , BEVEL 52	1
12383240010	SHAFT , RR WHEEL	2
16703270030	PIN, TORQUE	2
16701300010	PIN , 08X36	1
16705020020M	LIFT , CRANK	1
K2310040070	SEAL , DUST	1
19021024300	HOSE . 530	1
14041170080	SPRING , COMPRESSION 22	1
15601320011	TUBE , CORRUGATE 015	3
16702212030	PLATE ASSY	1
16703270021	METAL , BRAKE	1
V2173608012	BOLT , HEX/S	1
16702160090	PLATE	1
16702200201M	METAL , BEARING	1
12632210070	GEAR , HELICAL 36T	1
13835070210	PLATE , FRICTION	2
V2003616070	BOLT , HEX	2
18027090500	BAND CLAMP 50 EMBO TYPE	4
16705143102GB	BRACKET COMP , RH CHECK	1
16606300021	CAP , 4WD	1
16704052201	HOSE ASSY , HYD 1150	1
16702200041	COLLAR , 20X30X08	1
13003180070	SHAFT , DIFF PINION	1
15134080020	HOSE , OIL	1
V5901012150	WIRE , STEEL	1
16702090021	HUB , 25X51X20	1
16705011201	SHAFT , COMP , POSITION	1
16701210022M	SLEEVE	1
16703172002GB	BRACKET COMP , TOP LINK	1
13831040300	SPONGE , RADIATOR SIDE	2
16703292501	ROD COMP , HOOK 504	2



PART NUMBER DESCRIPTION QTY for EACH TRACTOR

14253610010	TUBE(12.4-24)	2
15263202041	NUT	8
16704332101	METAL ASSY , PIVOT	1
16702610023	4WD GEAR , SPUR 28T	1
12383270010M	COVER , BRAKE	2
16703270040	METAL , BRAKE	1
12632211040	GEAR , HELICAL 40T	1
17995020030	PLATE	1
V2013608050	BOLT , HEX	1
17995060061	LINK	1
16705060030	BOLT , SUPPORT2	1
V2013608060	BOLT , HEX	4
16707109900	VALVE ASSY , SLOW RETURN	1
12623283300GB	ARM COMP , LH BRAKE	1
16702150014	PLATE , SHUTTLE	1
17406203020GB	PLATE , MID/SIDE	2
16703292000GB	PEDAL SET , LH	1
14573292303GB	PEDAL COMP , RH BRAKE	1
13834012200	WASHER , TOOTH-LOCK/OUT	1
V2183608040	BOLT , HEX/SP	1
16705062400	PIPE , CYLINDER COMP	1
14942230330M	METAL , MAIN	1
13831510020	HOSE , RADIATOR OUTLET	1
19027612020	PIN , M8	1
13836204100SR	EXTENSION COVER COMP , UPR/HOO	1
14041200080	RETURN SPRING , CLUTCH	3
14946082200	INSULATOR , MAIN	1
13839209010	LABEL , OPERATION/DPF REGEN SW	1
13875103100	PUMP(13X7.2CC) ASSY, GEAR	1
16701015001	PLUG ASSY , DRAIN (MAGNET)	1
14522090340	BUSH , 30X35X28.7	1
16705020012M	LIFT SHAFT	1
13815082000	VALVE , EXTERIOR HYD (2P) SUB	1
17407362300	ELBOW , PF3/8 PF1/2	1
13816253100GB	BRACKET COMP , FR RH MOUNT	1
13836642100	CASE ASSY . FUSE	1
17995060150	SPRING	1
16702191021	GEAR , HUB PTO	1
16702121012	SHAFT	1
17995031500	PIN COMP , HYD	1
16702440021	ROD , RANGE 275	1
34522153200	SWITCH	1
17406202901	GAS SPRING , HOOD	2
13806031010	COVER , DASH/UPPER	1
12397027500GB	FRAME COMP , LOW RH	1
11147022200	GAS SPRING , ROPS	1
16702171041	SHAFT , PTO CLUTCH	1
16702611011	GEAR , SPUR 25T	1
16703180052M	METAL , DIFF CASE R	1
16702610042	SHAFT , 4WD DRIVE	1

PART NUMBER DESCRIPTION QTY for EACH TRACTOR

12412090020	HUB , 30X51X21	1
V7801000002	PLUG , HEX-SOCKET	6
13831221100	AIR CLEANER ASSY	1
14573282200	ROD COMP , FORK 100	2
13613202100	BRAKE , HAND	1
15457612300	CAM COMP	1
13805104101GB	PIPE COMP , FR MAIN	1
V2514410030	BOLT , STUD/2	2
16001220000GB	PLATE COMP , ACCELERATOR	1
14976312303GB	PANEL COMP , SEAT	1
V2514410060	BOLT , STUD/2	4
16703002012	PINION , DRIVE 9	1
V6812000010	BALL , STEEL	1
13831510030	HOSE , RADIATOR INLET B	1
13831510010	HOSE , RADIATOR INLET A	1
13831511100	PIPE COMP , COOLANT JOINT	1
13831811500GB	BRACKET COMP , BATTERY	1
13836204310SR	EXTENSION COVER , LH/HOOD	1
13836204410SR	EXTENSION COVER , RH/HOOD	1
13821162100	CABLE(FOOT THROTTLE) ASSY	1
13826031030	LABEL , LH/CONTROL	1
V2163808020	BOLT , HEX/P	4
13805252210	JOYSTIC CABLE ASSY(760)	1
11815252240	SPOOL JOINT	2
13875410082	BOLT , EYE JOINT(PF1/2)	2
V2023612045	BOLT , HEX FINE	4
12632210020	WASHER , 30X46X05	1
17995040121	SPRING	1
V7641500000	NIPPLE , GREASE/C-PT	1
14723400031	ROD , 60	2
14723402603	ROD COMP , LOW HAND BRAKE	2
16991600090	PROTECTOR , 70	1
17406203010	PLATE , UPR/SIDE	4
14724042401GB	LEVER COMP , TILT	1
16706310011	MAT	1
16994012020	COVER , STEERING	1
14473172630	BOLT	8
12621002020	COUPLING , PTO	1
14664072801	HOSE ASSY , HYD 650	1
17995030070	BUSH	1
13831211100	DUCT , AIR INLET	1
13831613100GB	BRACKET COMP , DATA LOGGER	1
13836202300GB	FRAME COMP , FR	1
18366202500GB	PIN COMP , HOOD LOCK	1
18366017300GB	BRACKET COMP , FR/HOOD	1
V1122608020	SCREW , C/R FLAT	4
14724040201GB	PLATE , GUIDE	1
12136112001	SEAT ASSY	1
13837553300	GRIP , THROTTLE	1
13835412102GB	PIPE COMP , LOADER P	1

PART NUMBER DESCRIPTION QTY for EACH TRACTOR

15004170010	TUBE , 8-16	2
13019130000	WEIGHT KIT(TE40)	1
13836503000	HARNES	1
13831410030	FUEL HOSE 1400	1
V2174610050	BOLT , HEX/S	10
16702140012M	FORK , SHIFTER SHUTTLE	1
12924070010	HOSE ASSY , HYD 550	1
13824100010	SHAFT , DRIVE	1
13831042200	SHROUD	1
13831042300GB	NET COMP , RADIATOR	1
13831812100GB	BRACKET COMP , GUIDE	1
13831211200	DUCT SEAT	1
13831210010	HOSE , AIR INLET FR	1
13831210020	HOSE , AIR INLET RR	1
13831211300GB	BRACKET COMP , AIRCLEANER	1
13835104801GB	PIPE COMP , SUCTION	1
13836202800GB	PLATE COMP , HOOD HINGE	1
13836202500GB	SUPPORT COMP , LH/SIDE	1
13836202600GB	SUPPORT COMP , RH/SIDE	1
13016313100GB	STAY SUB , SIDE MIRROR	2
13826031020	COVER , DASH/LOW	1
14726063502SR	FENDER COMP , LH	1
13835412202GB	PIPE COMP , LOADER T	1
10525262320	LINK SUB , LOWER LH/RR	1
16704362201	METAL ASSY , PIVOT	1
13612400010M	CASE , RR TRANSMISSION	1
13003180013M	CASE , DIFF	1
13003192000	PEDAL SUB , DIFF LOCK	1
16701210013M	METAL , INPUT	1
16702110133	GEAR , HELICAL 19T	1
17995041100	LINK COMP , VALVE	1
17995041400	ARM , COMP , LINK	1
17995040150	LINK , CRANK LIFT	1
17995040160	PIN , LINK	1
17995060050	LINK COMP , B	1
13613402201	SHAFT COMP , HANDBRAKE	1
17971040551	INSULATOR	2
13746462600	SWITCH ASSY , PTO MODE	1
14726063602SR	FENDER COMP , RH	1
19557753010	BONDED SEAL , PF1/2	5
12341112231	HOSE , DRAIN/2210	1
15829040220	LABEL , MODEL/EU	1
12519100140	LABEL , JACK POINT	1

FIG 100 T475NCEU	ENGINE	년/월 Year/Month 2022-12
---------------------	--------	------------------------------

--	--

NOTE	
------	--

FIG 100		ENGINE					년/월 Year/Month	
							2022-12	
T475NCEU								
KEY NO		PART NO	DESCRIPTION	SPEC	QTY	REPAIR	EFFECTIVE DATE	REMARKS
100	1	13801001200	엔진 , A2300N4-TETR_5		1			
100	1	13831001200	엔진 , A2300N4-TETC_5		1			
NOTE								

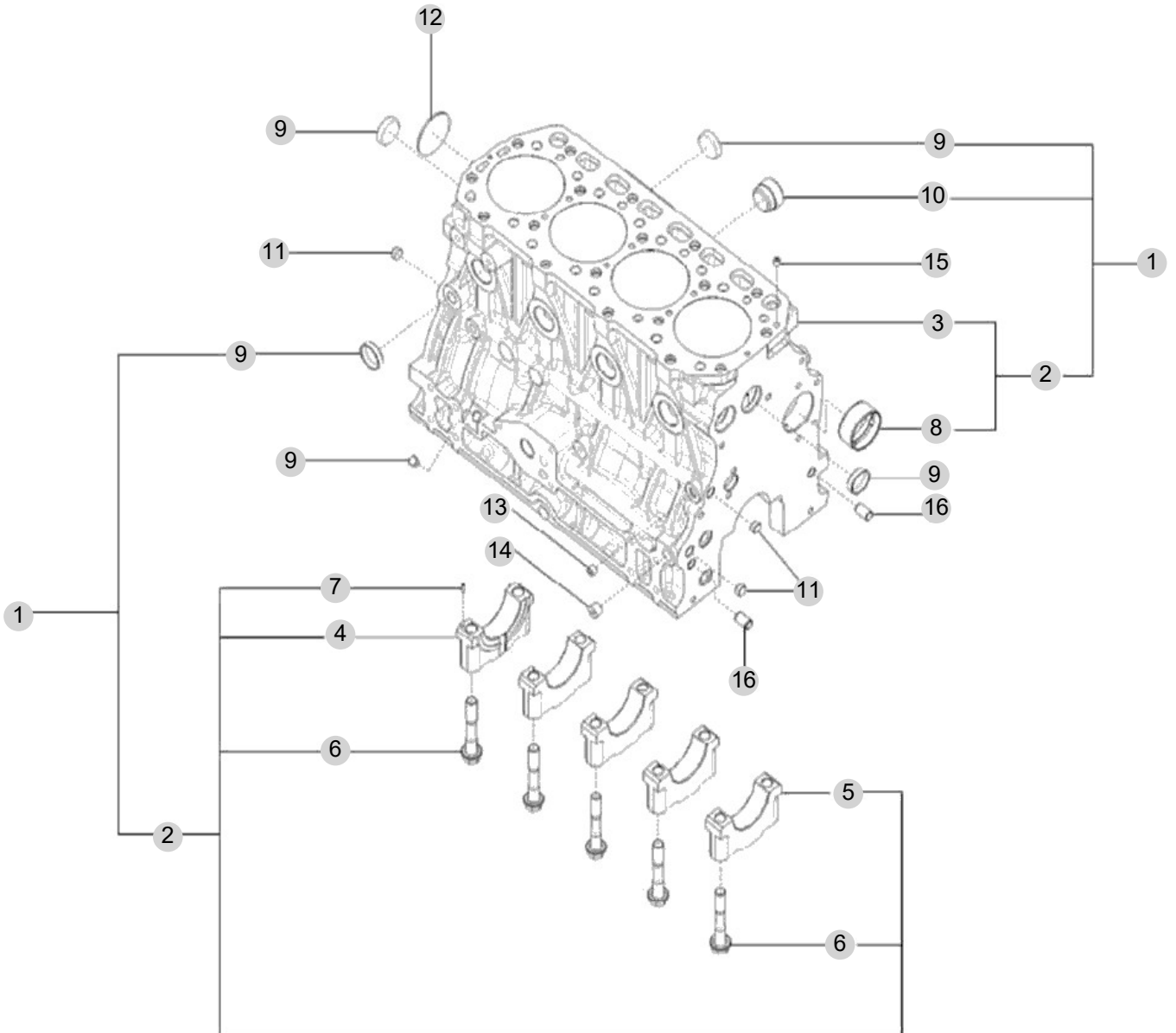
FIG 101

T475NCEU

CYLINDER BLOCK

년/월  
Year/Month

2022-12



NOTE



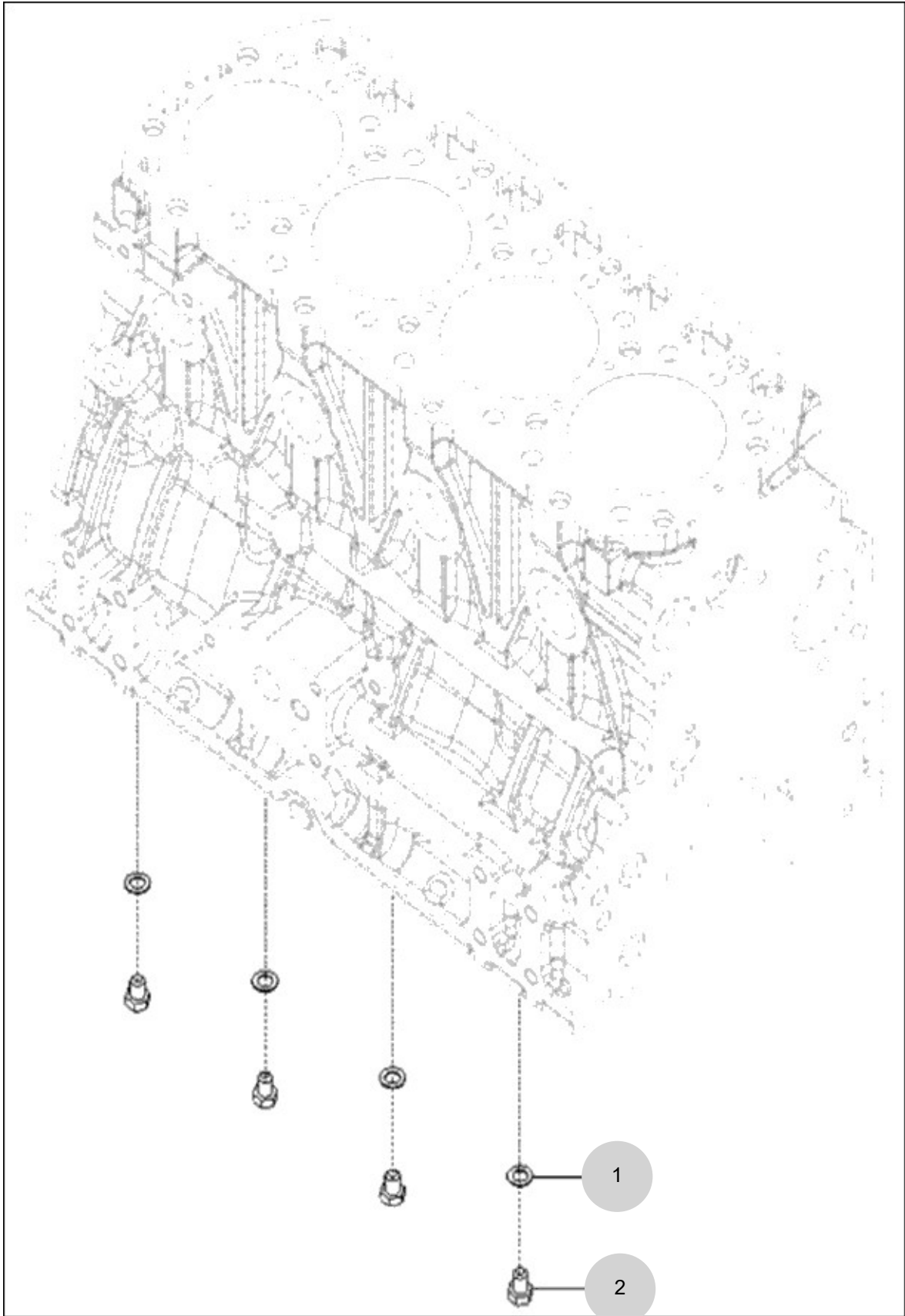
FIG 102

OILJET ASS'Y OPTION

년/월  
Year/Month

T475NCEU

2022-12



NOTE





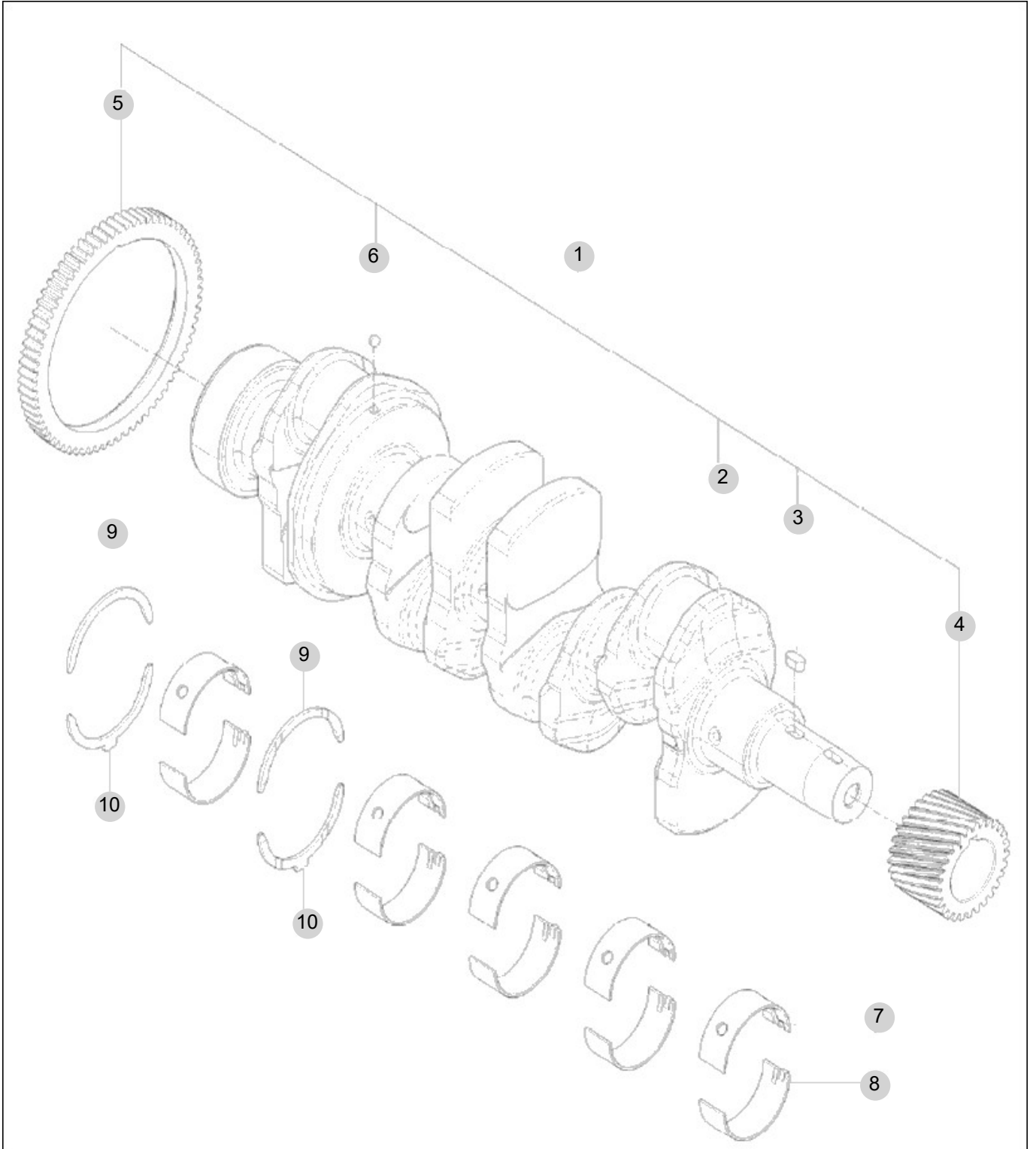
FIG 103

T475NCEU

CRANK SHAFT

년/월  
Year/Month

2022-12



NOTE



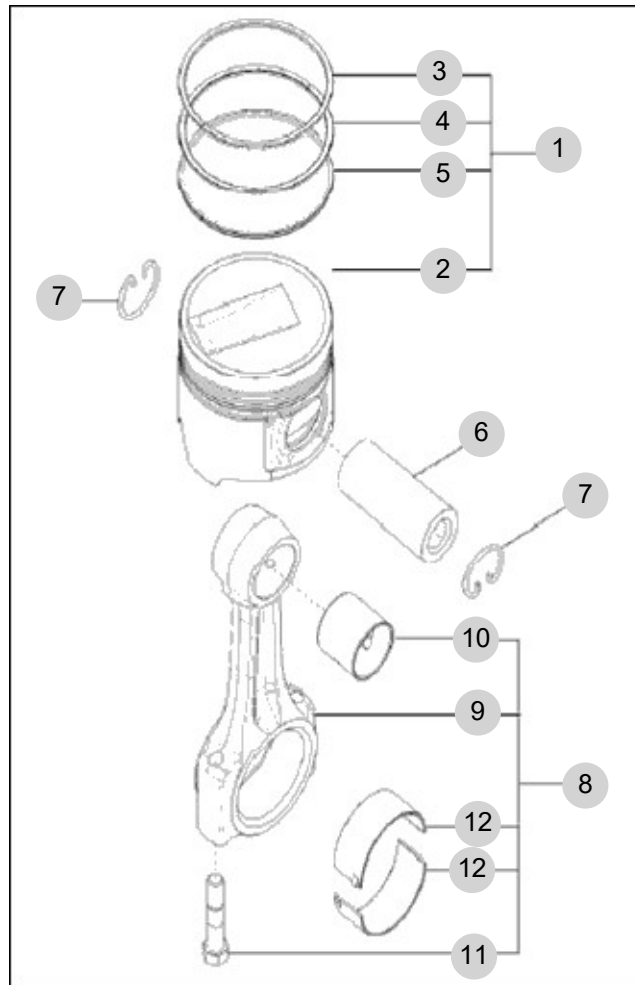
FIG 104

T475NCEU

PISTON

년/월  
Year/Month

2022-12



NOTE



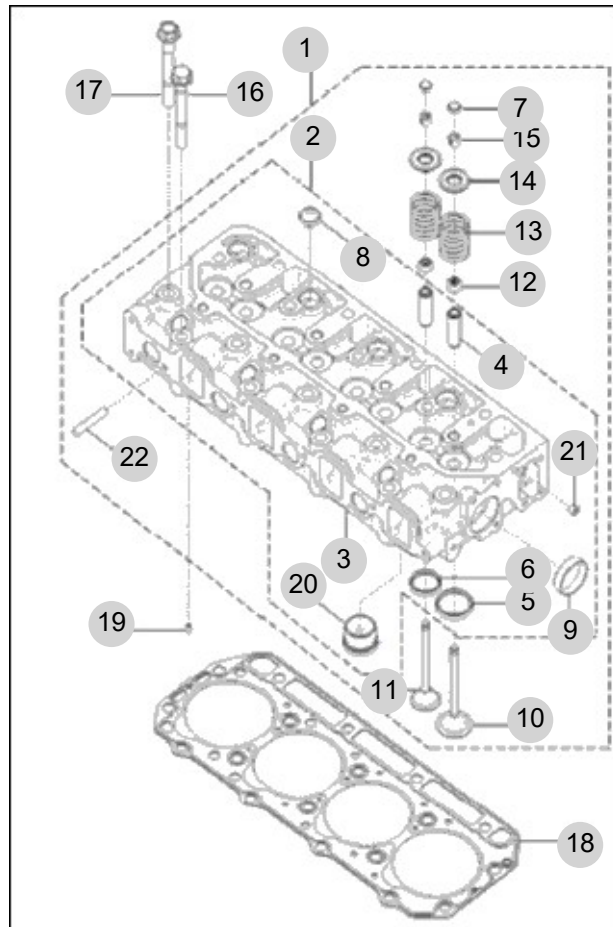
FIG 105

T475NCEU

CYLINDER HEAD

년/월  
Year/Month

2022-12



NOTE

<b>FIG 105</b> T475NCEU	<b>CYLINDER HEAD</b>	년/월 Year/Month  2022-12
----------------------------	----------------------	----------------------------------

KEY NO	PART NO	DESCRIPTION	SPEC	QTY	REPAIR	EFFECTIVE DATE	REMARKS
105	1	EA00003239A	실린더 헤드 ASSY(EA00005930A로주문변경))	1			
105	1	EA00003239A	실린더 헤드 ASSY(EA00005930A로주문변경))	1			
105	2	EA00005931A	실린더헤드조합	1			
105	2	EA00003238B	HEAD ASS'Y, CYLINDER	1			
105	3	EA00005932A	실린더헤드	1			
105	3	HRU220100MB	HEAD, CYLINDER	1			
105	4	HRA0400103C	GUIDE, VALVE	8			
105	5	HRA0400104B	SEAT, INTAKE VALVE	4			
105	6	HRA0400105B	SEAT, EXHAUST VALVE	4			
105	7	HK03680000B	CAP, VALVE	8			
105	8	27241-220000	PLUG, CAP	8			
105	9	27241-400000	PLUG, CAP	2			
105	10	HRA0400200A	INTAKE VALVE	4			
105	11	HRA0400300A	EXHAUST VALVE	4			
105	12	HA03070000A	밸브축시일	8			
105	13	HRA0400700A	SPRING, VALVE	8			
105	14	HRA0400800A	RETAINER, VALVE SPRING	8			
105	15	HRA0400900A	COTTER, VALVE SPRING	16			
105	16	HRA0100700A	BOLT(CYLINDER HEAD)	4			
105	17	HRA0100500A	BOLT(CYLINDER HEAD)	14			
105	18	HRU0100400B	헤드가스켓	1			
105	18	HRU0100400A	HEAD GASKET	1			
105	19	22312-040100	PIN, DOWEL	2			
105	20	EA00005449A	PRECOMBUSTION CHAMBE	4			
105	20	EA00003012A	PRECOMBUSTION CHAMBER	4			
105	21	23871-010000	테이퍼나사플러그	1			
105	22	26216-080352	STUD BOLT	1			

NOTE	
------	--

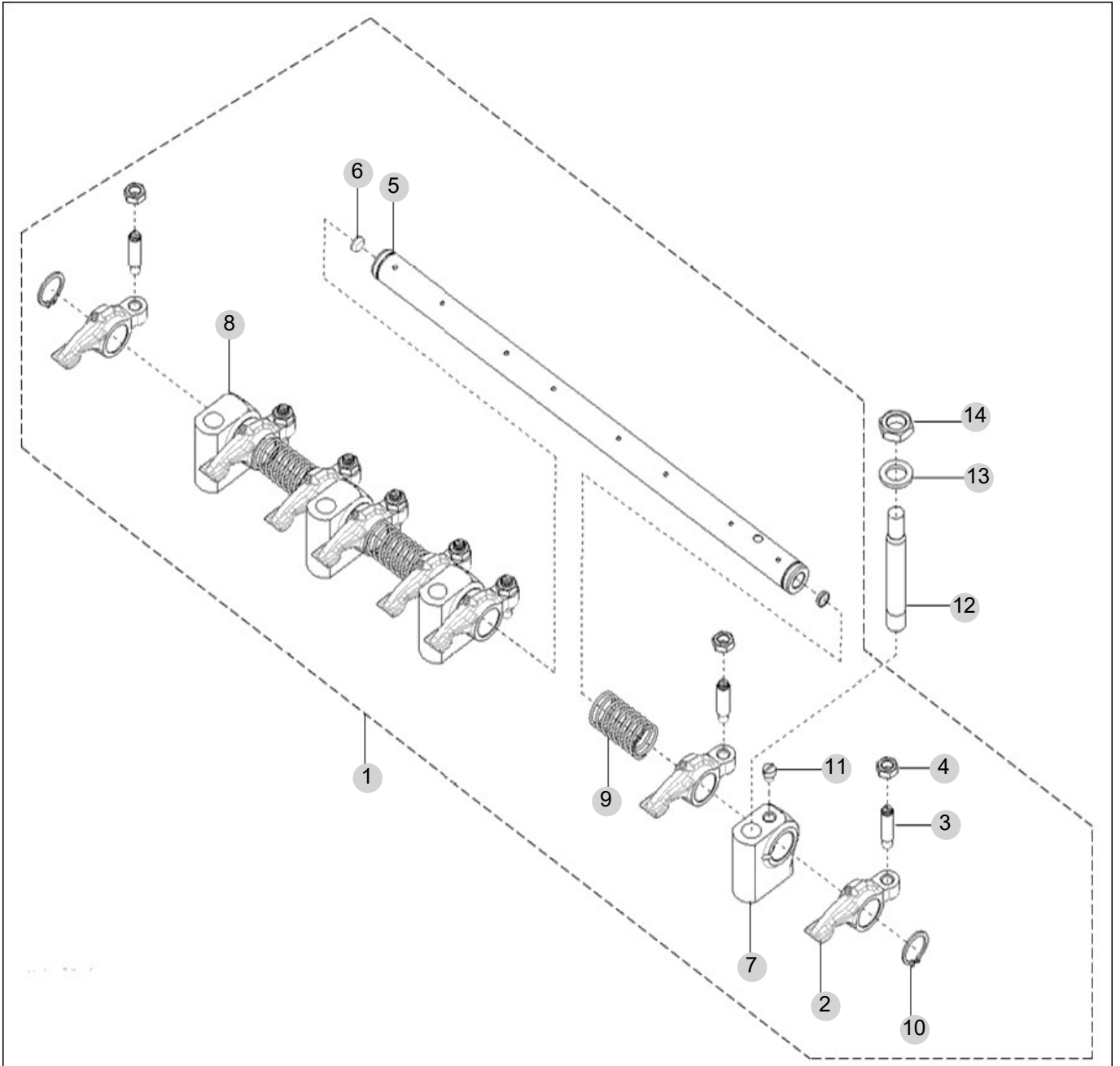
FIG 106

T475NCEU

ROCKER LEVER

년/월  
Year/Month

2022-12



NOTE





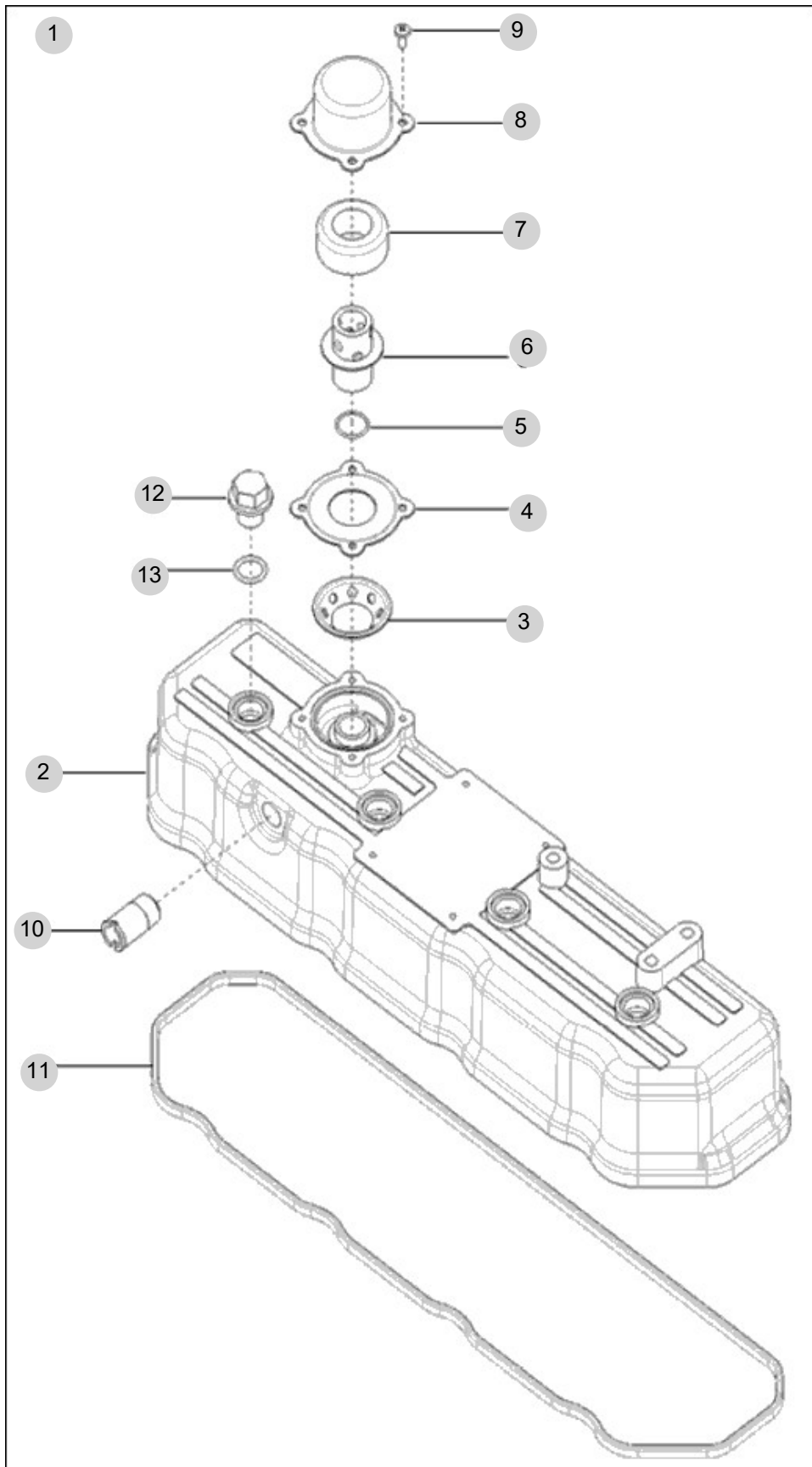
FIG 107

T475NCEU

HEAD COVER

년/월  
Year/Month

2022-12



NOTE



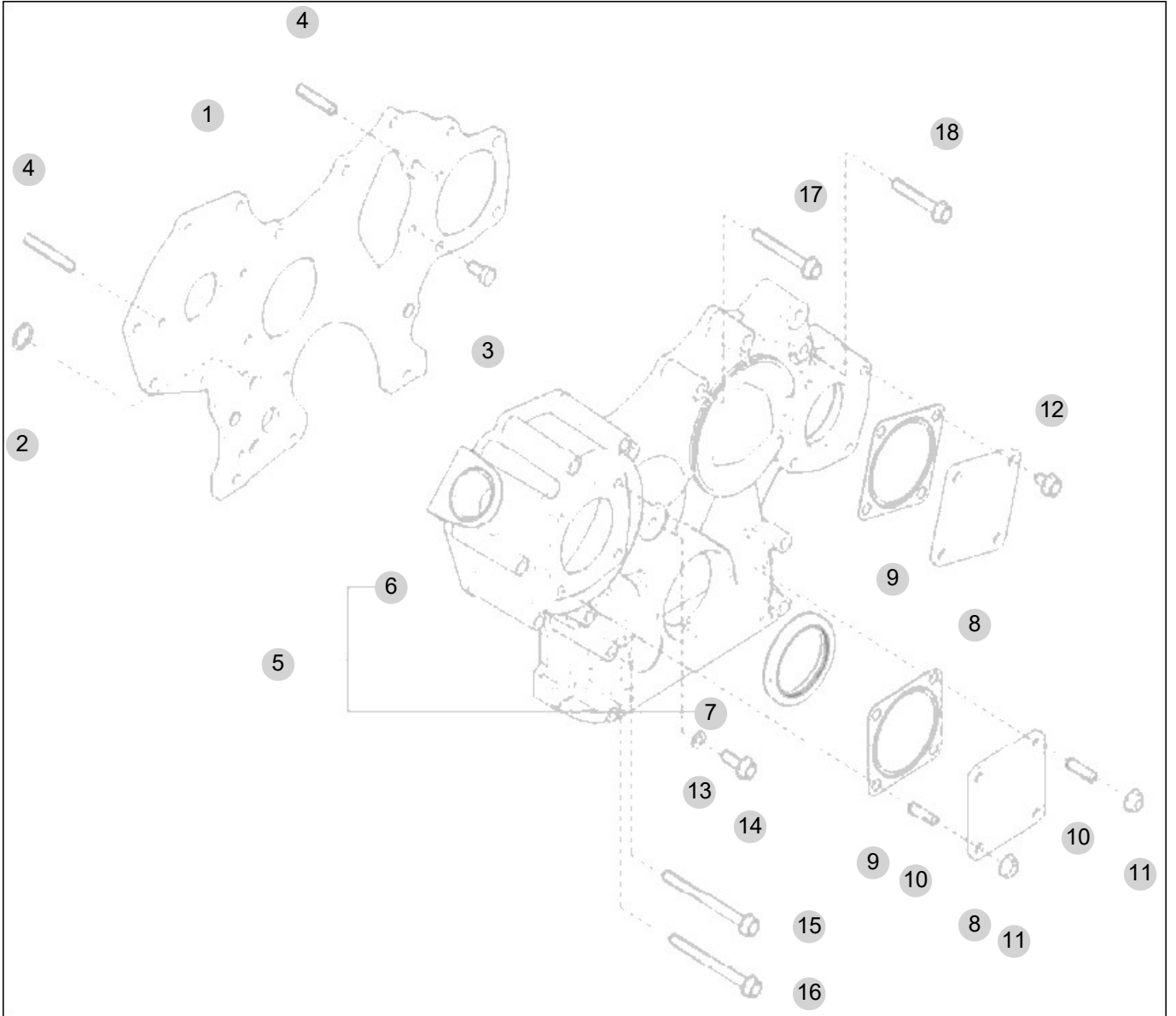
FIG 108

GEAR CASE

년/월  
Year/Month

T475NCEU

2022-12



NOTE



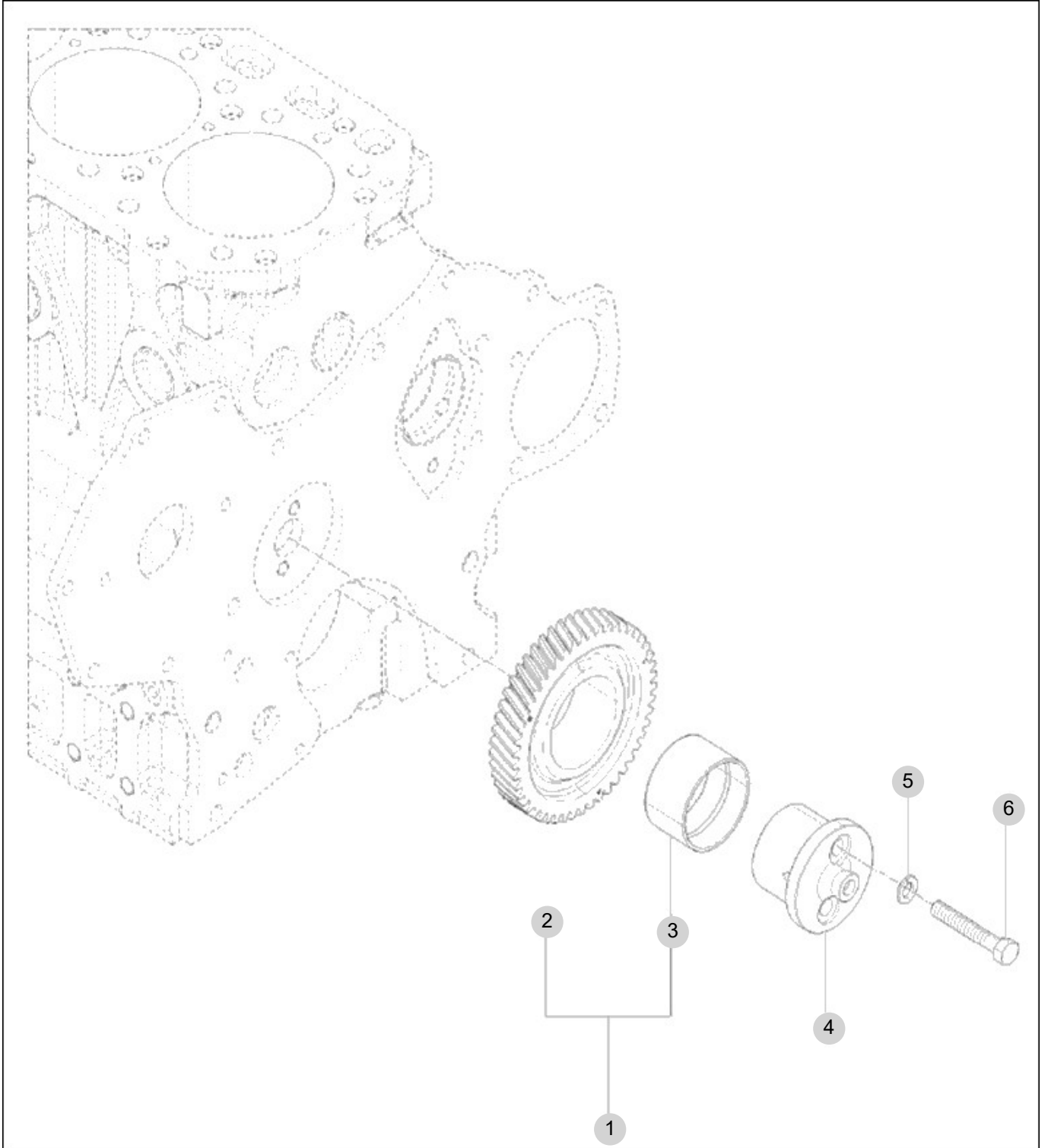
FIG 109

T475NCEU

IDLE GEAR

년/월  
Year/Month

2022-12



NOTE



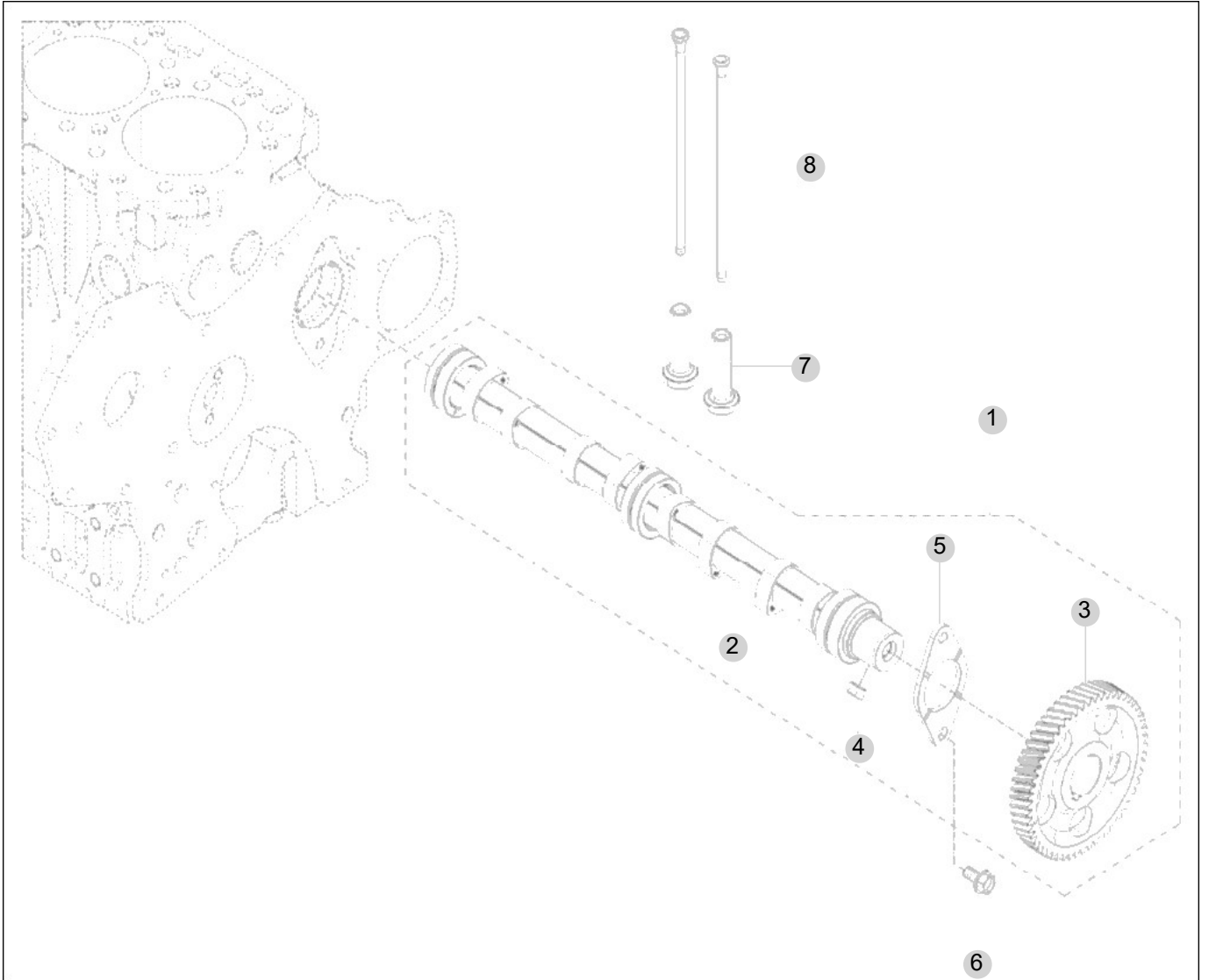
FIG 110

T475NCEU

CAM SHAFT

년/월  
Year/Month

2022-12



NOTE





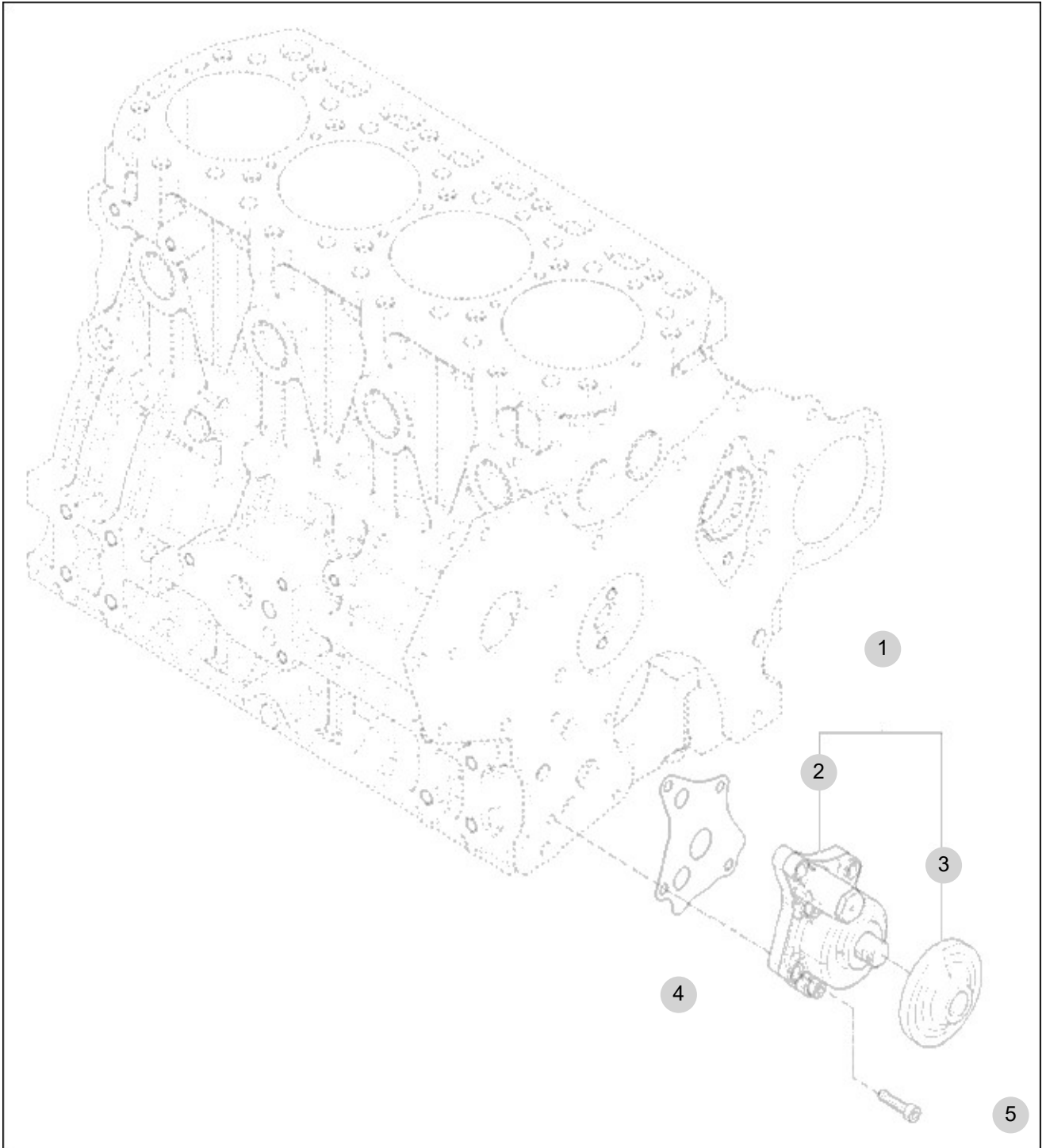
FIG 111

OIL PUMP

년/월  
Year/Month

T475NCEU

2022-12



NOTE



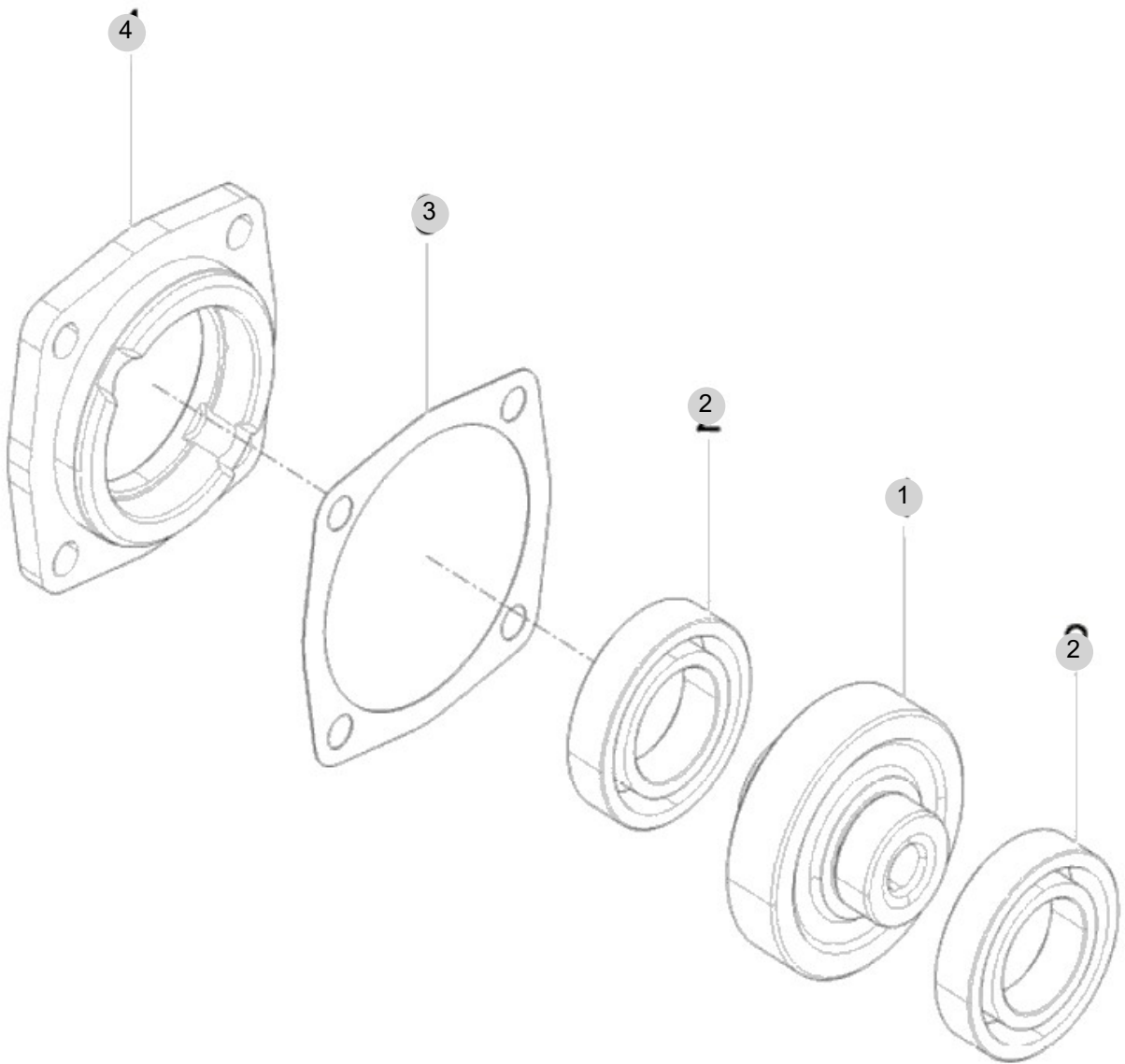
FIG 112

T475NCEU

HYD. PUMP DRIVE

년/월  
Year/Month

2022-12



NOTE



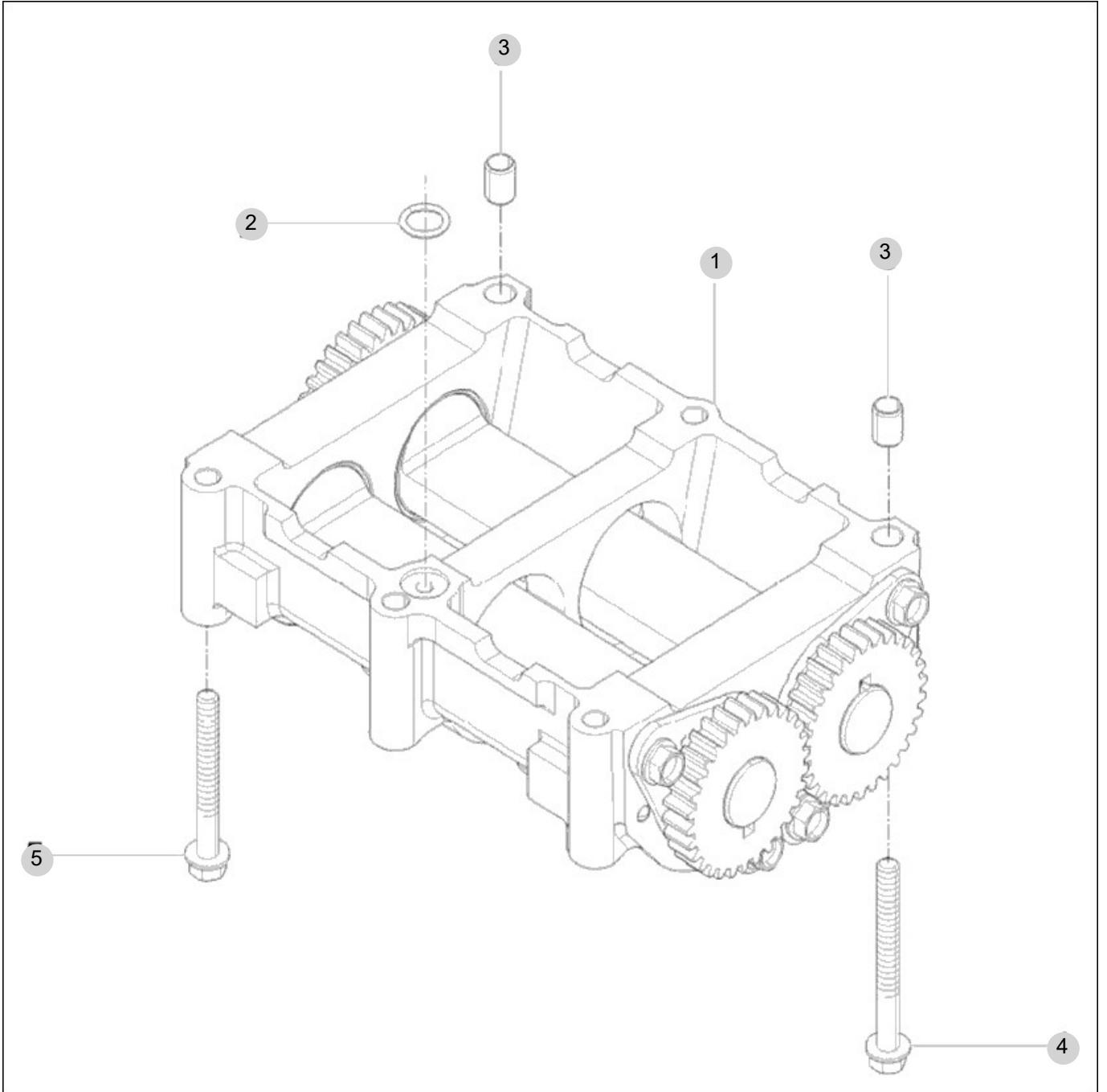
FIG 113

T475NCEU

2ND BALANCE

년/월  
Year/Month

2022-12



NOTE

FIG 113 T475NCEU		2ND BALANCE						년/월 Year/Month
								2022-12
KEY NO	PART NO	DESCRIPTION	SPEC	QTY	REPAIR	EFFECTIVE DATE	REMARKS	
113	1	HRA1000100A	BALANCE ASS'Y			1		
113	2	24311-000140	441,ALL,O-RINGP-14			1		
113	3	HRA1000700A	PIN, GUIDE			2		
113	4	26106-080752	HEX. FLANGE BOLT			2		
113	5	26106-080652	육각플랜지볼트			4		
NOTE								

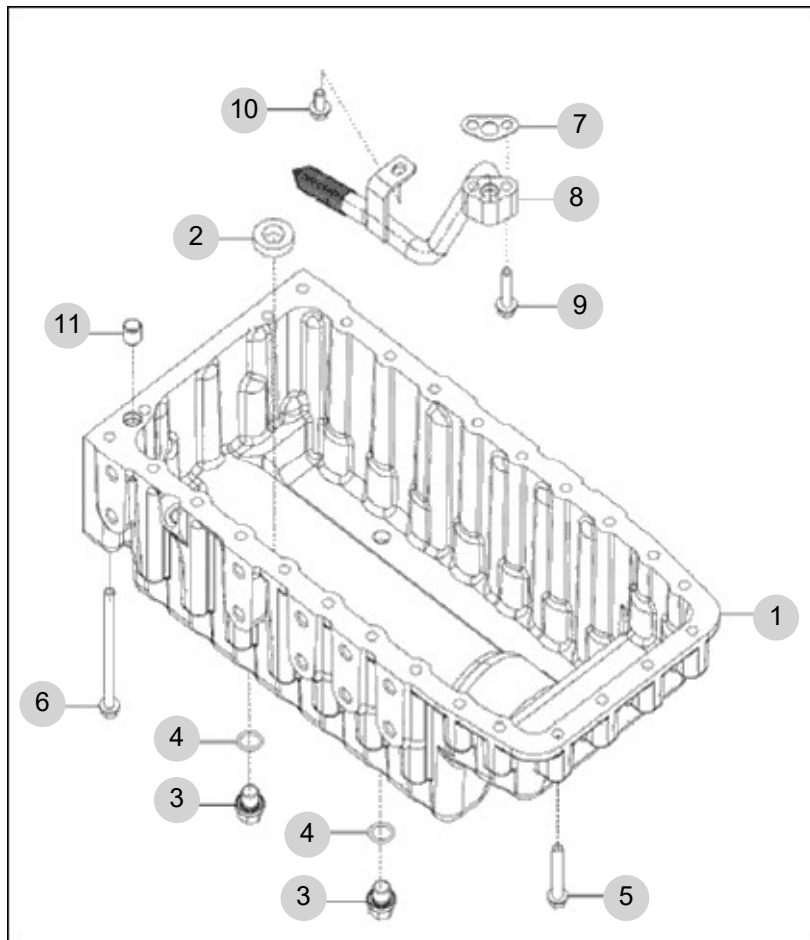
FIG 114

T475NCEU

OIL PAN

년/월  
Year/Month

2022-12



NOTE





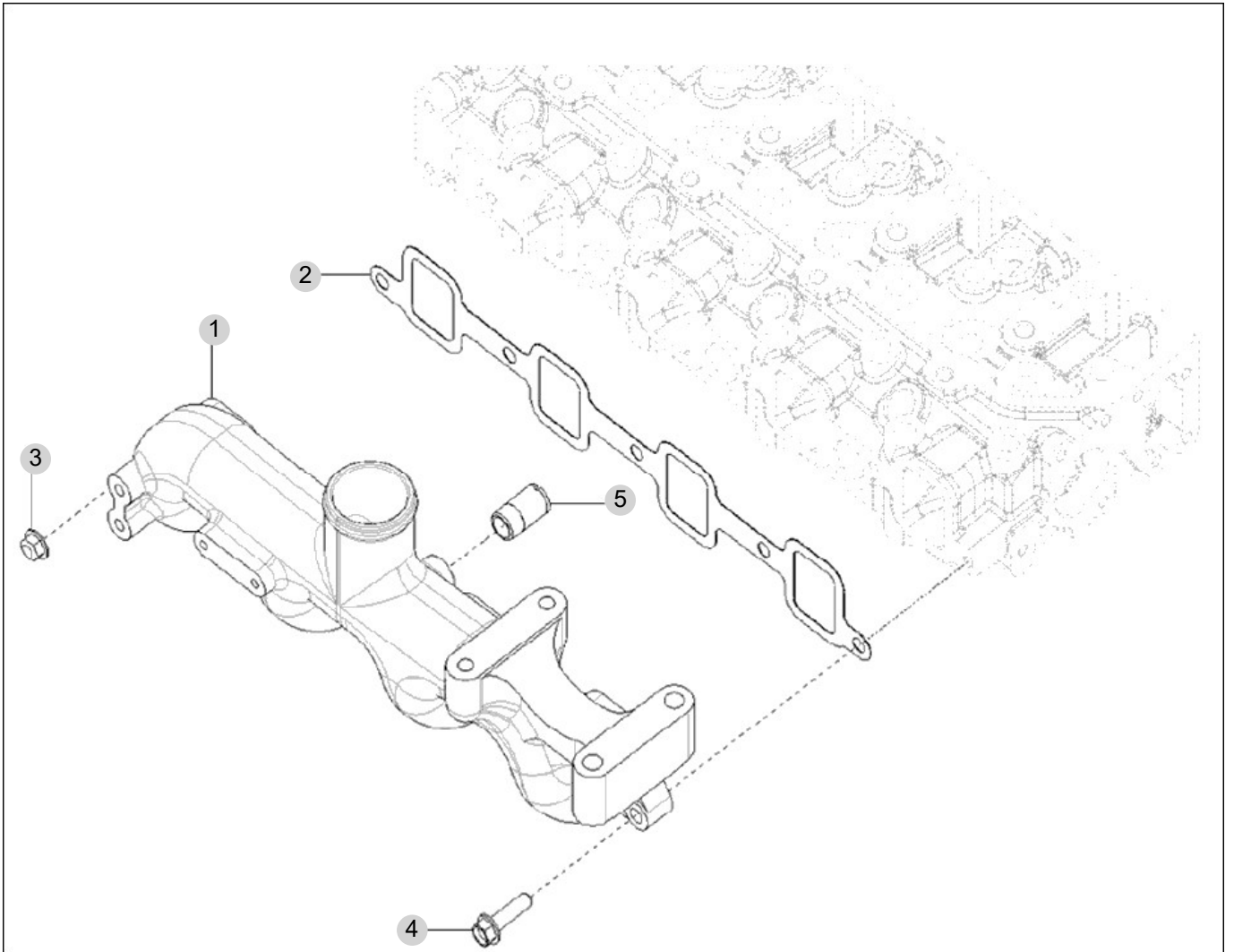
FIG 115

T475NCEU

INTAKE MANIFOLD

년/월  
Year/Month

2022-12



NOTE



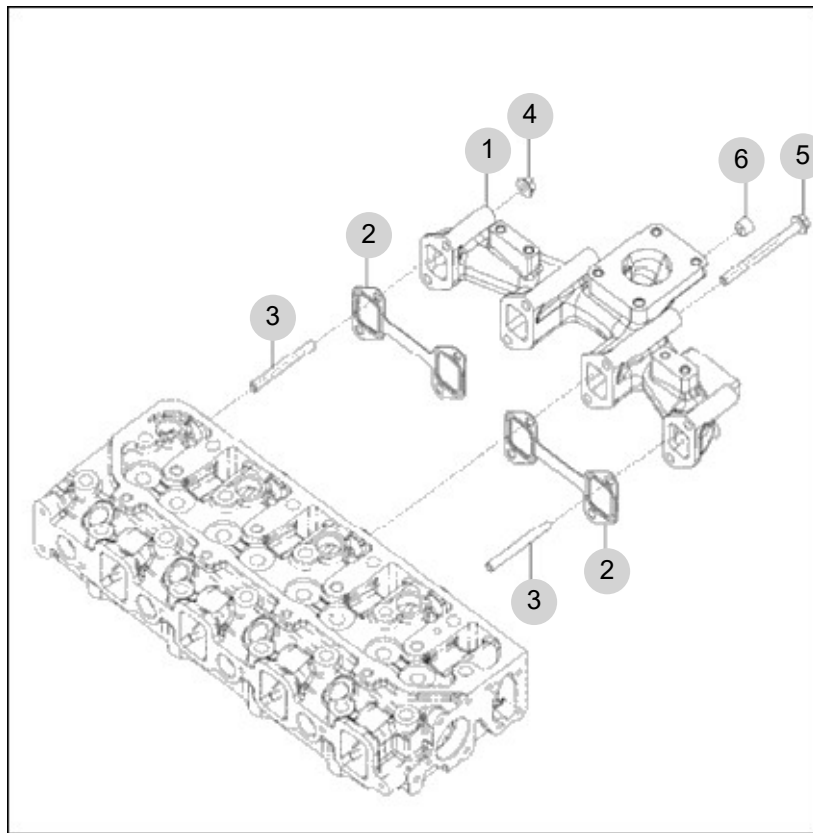
FIG 116

T475NCEU

EXHAUST MANIFOLD

년/월  
Year/Month

2022-12



NOTE

FIG 116 T475NCEU		EXHAUST MANIFOLD						년/월 Year/Month
								2022-12
KEY NO	PART NO	DESCRIPTION	SPEC	QTY	REPAIR	EFFECTIVE DATE	REMARKS	
116	1	EA00003142B	배기매니폴드					
116	1	EA00003142A	배기 매니폴드					
116	2	HRA0600200A	GASKET(EXHAUST MANIFOLD)					
116	3	2621D-080652	심음볼트					
116	3	26216-080652	STUD BOLT					
116	4	2636A-080002	육각 플랜지 너트					
116	4	EA00000645A	HEX. FLANGE NUT					
116	5	2610D-080952	육각플랜지볼트					
116	5	26106-080952	HEX. FLANGE BOLT					
116	6	23871-020000	테이퍼나사플러그					
NOTE								

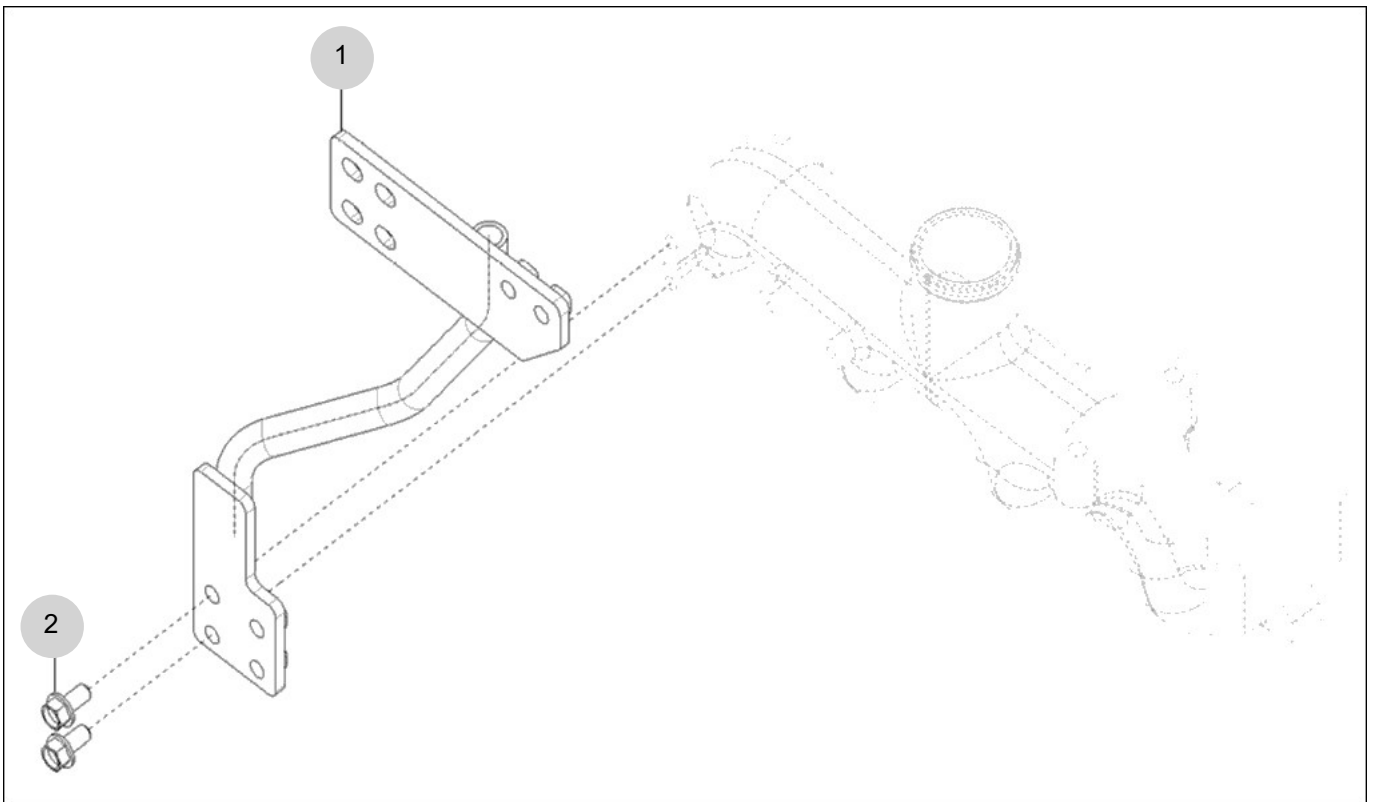
FIG 117

DPF SUPPORT OPTION

년/월  
Year/Month

T475NCEU

2022-12



NOTE



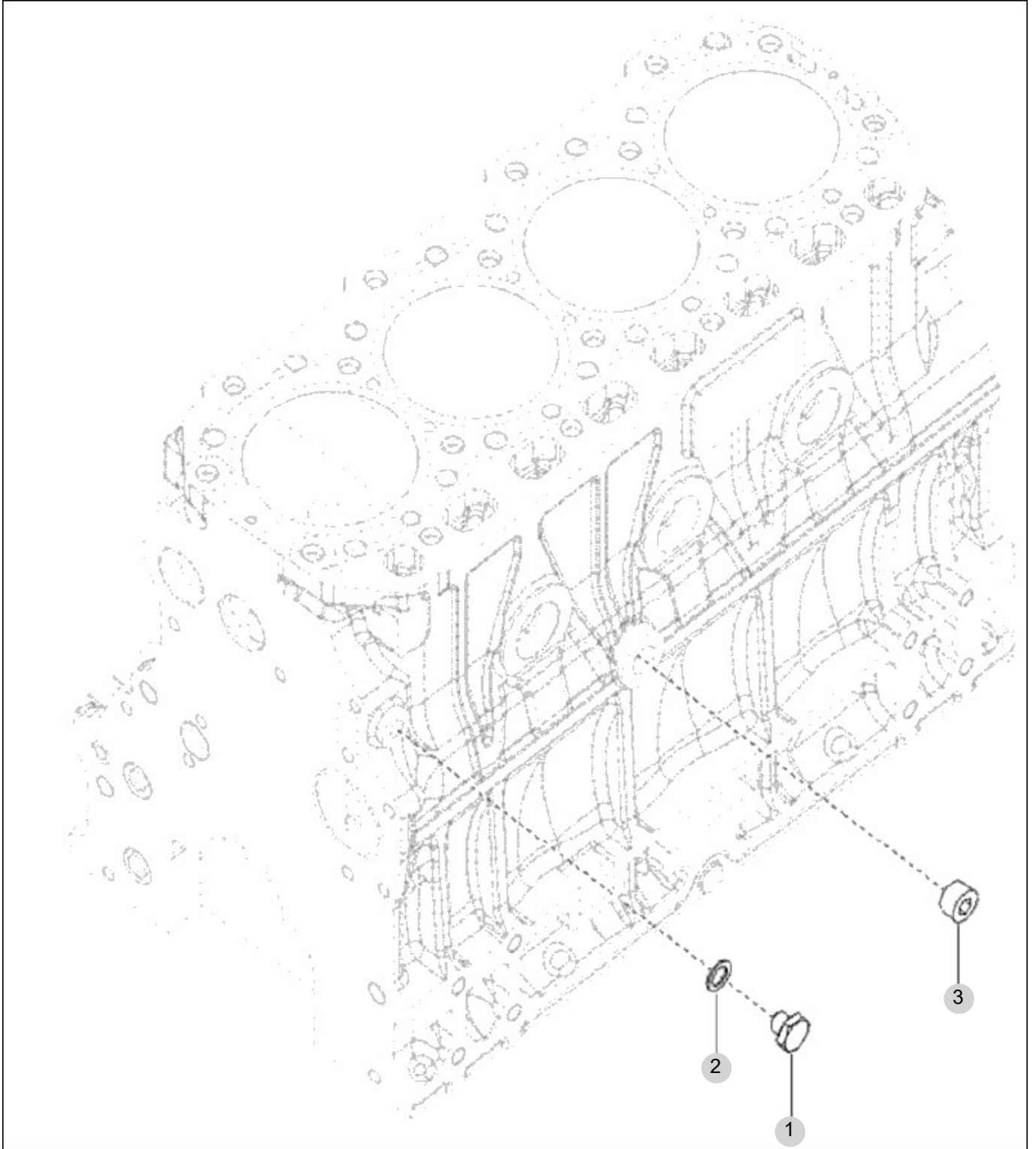
FIG 118

TURBOCHARGER PLUMBING OPTION

T475NCEU

년/월  
Year/Month

2022-12



NOTE





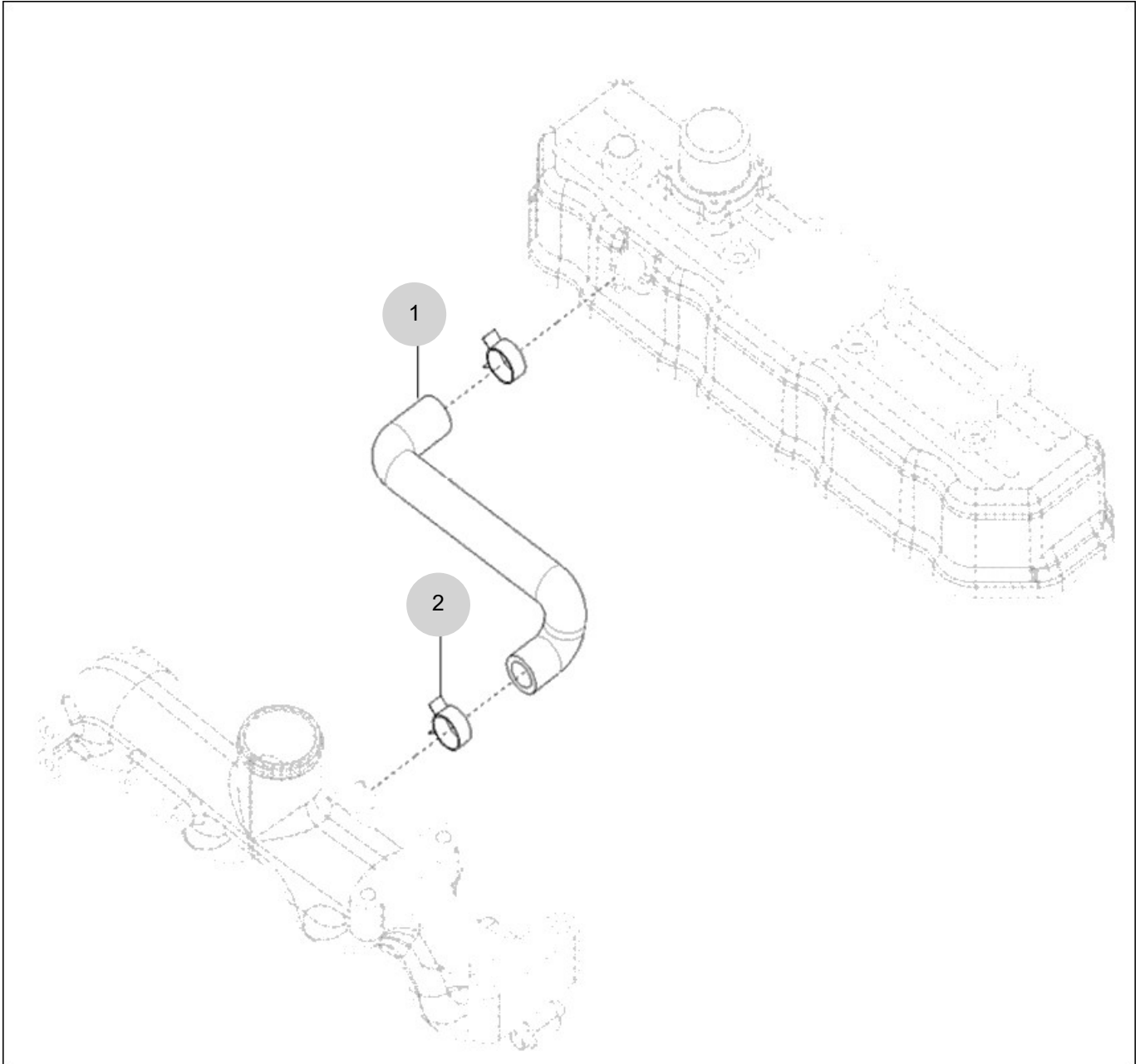
FIG 119

T475NCEU

BREATHER

년/월  
Year/Month

2022-12



NOTE



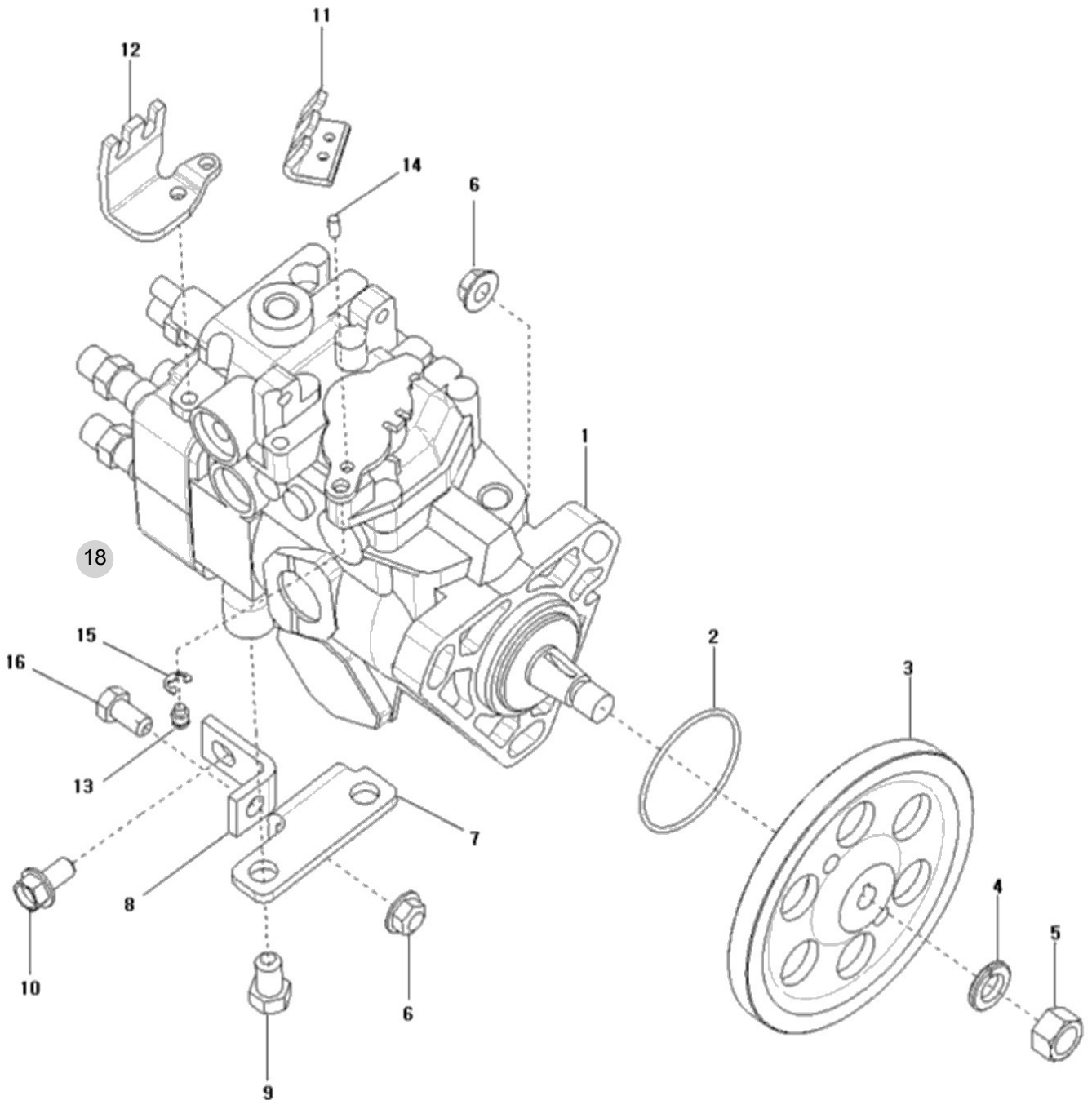
FIG 120

T475NCEU

FUEL INJECTION PUMP

년/월  
Year/Month

2022-12



NOTE



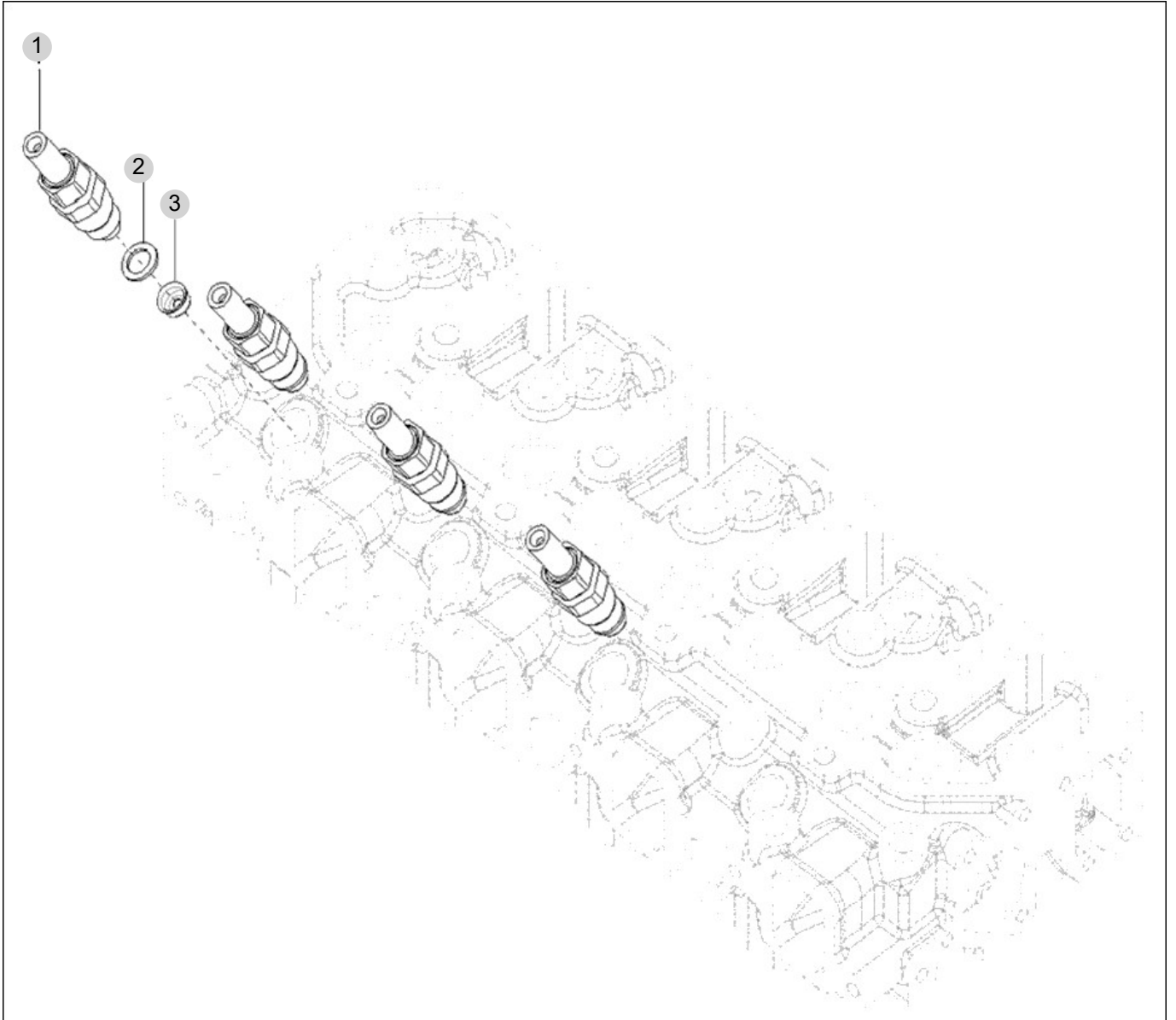
FIG 121

FUEL INJECTION VALVE

년/월  
Year/Month

T475NCEU

2022-12



NOTE



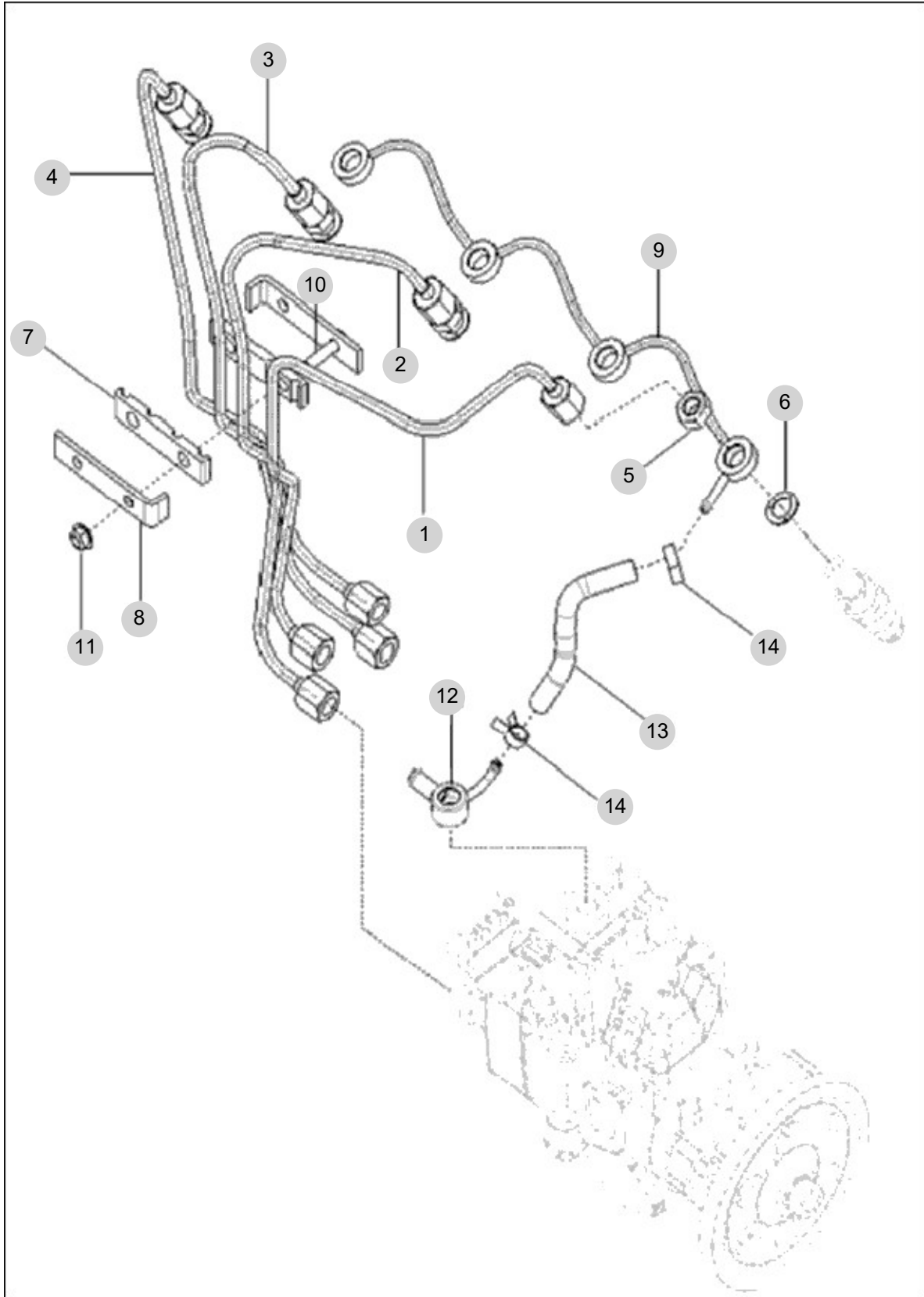
FIG 122

FUEL PIPE ASS'Y

년/월  
Year/Month

T475NCEU

2022-12



NOTE





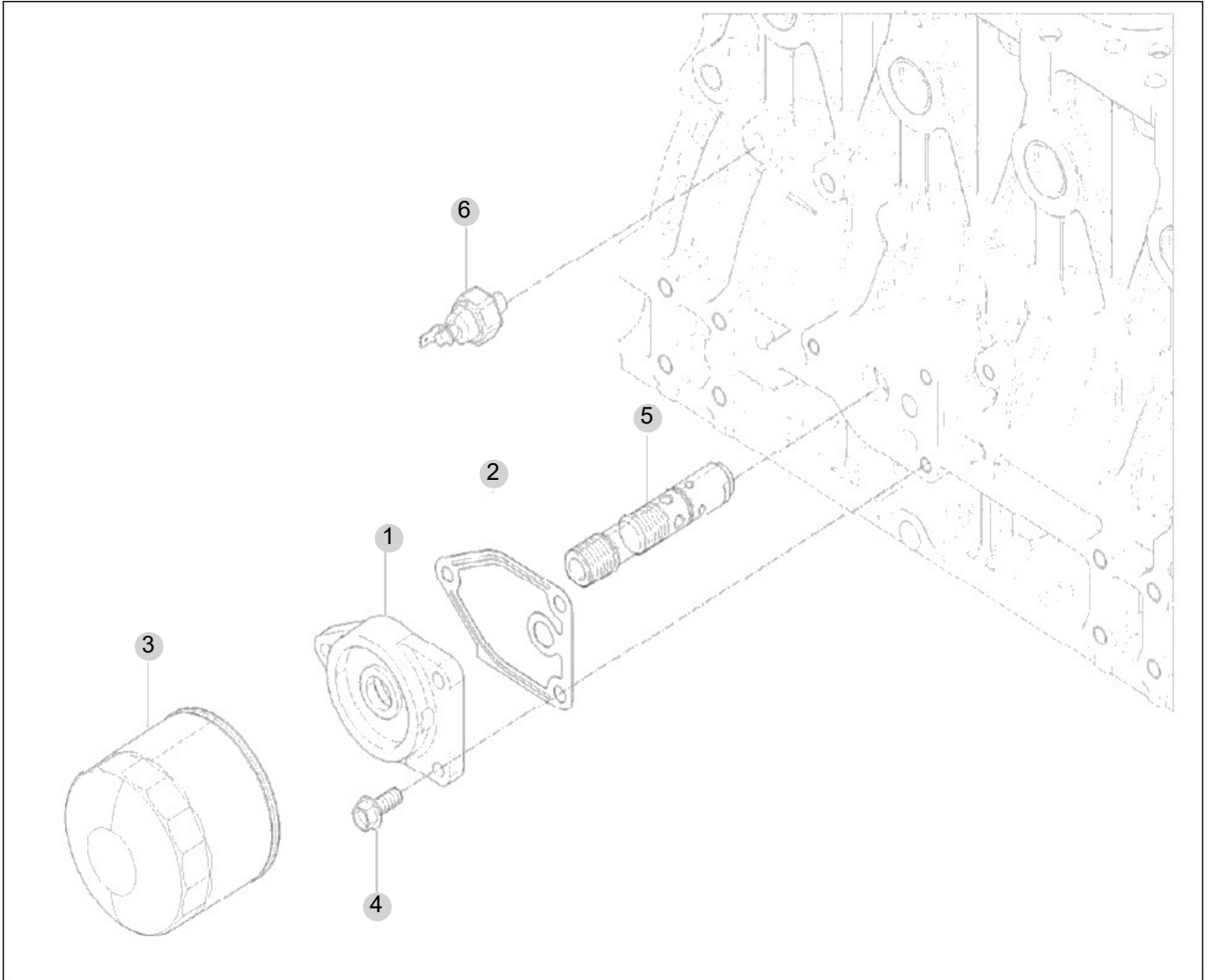
FIG 123

T475NCEU

OIL FILTER

년/월  
Year/Month

2022-12



NOTE



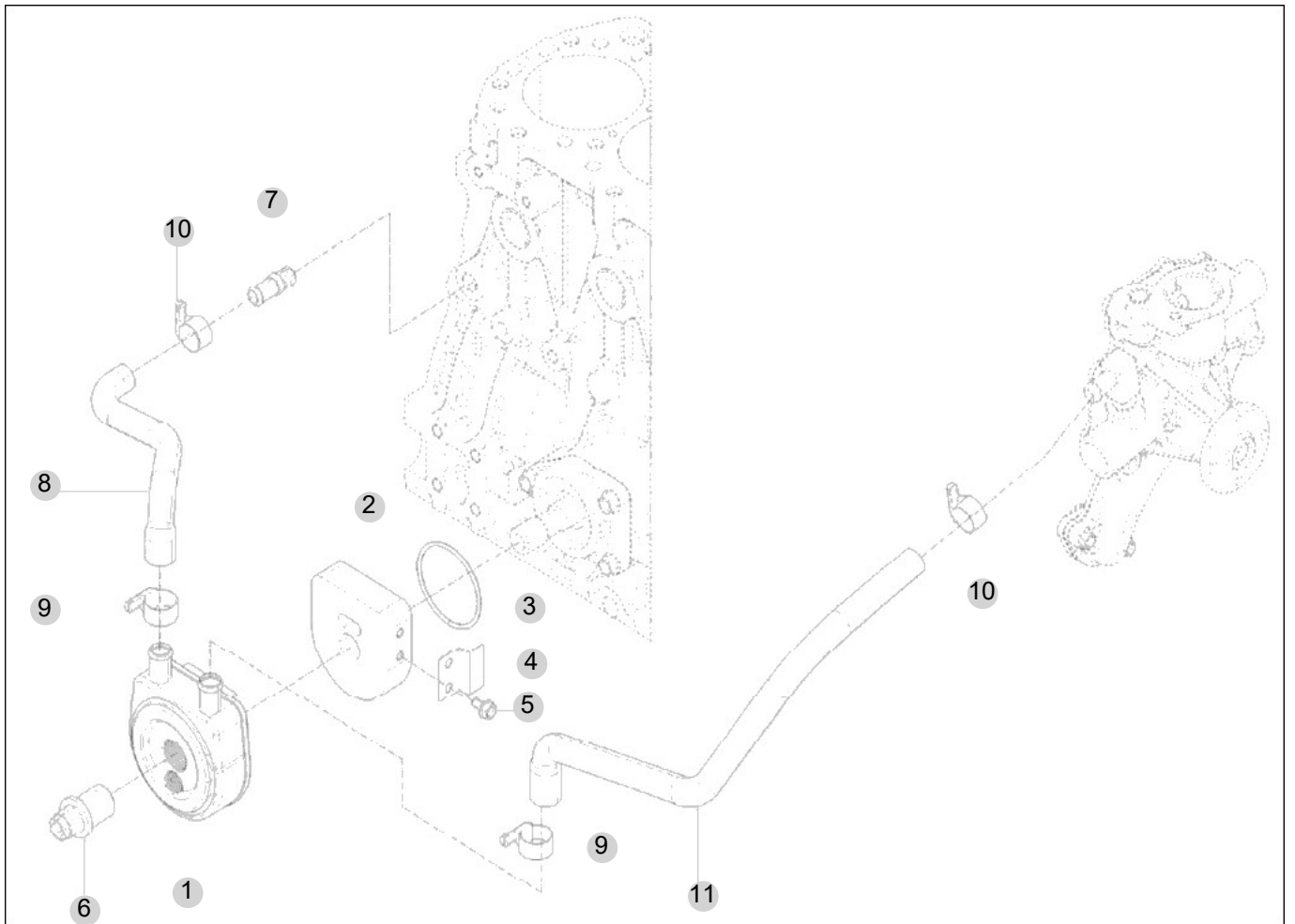
FIG 124

OIL COOLER

년/월  
Year/Month

T475NCEU

2022-12



NOTE



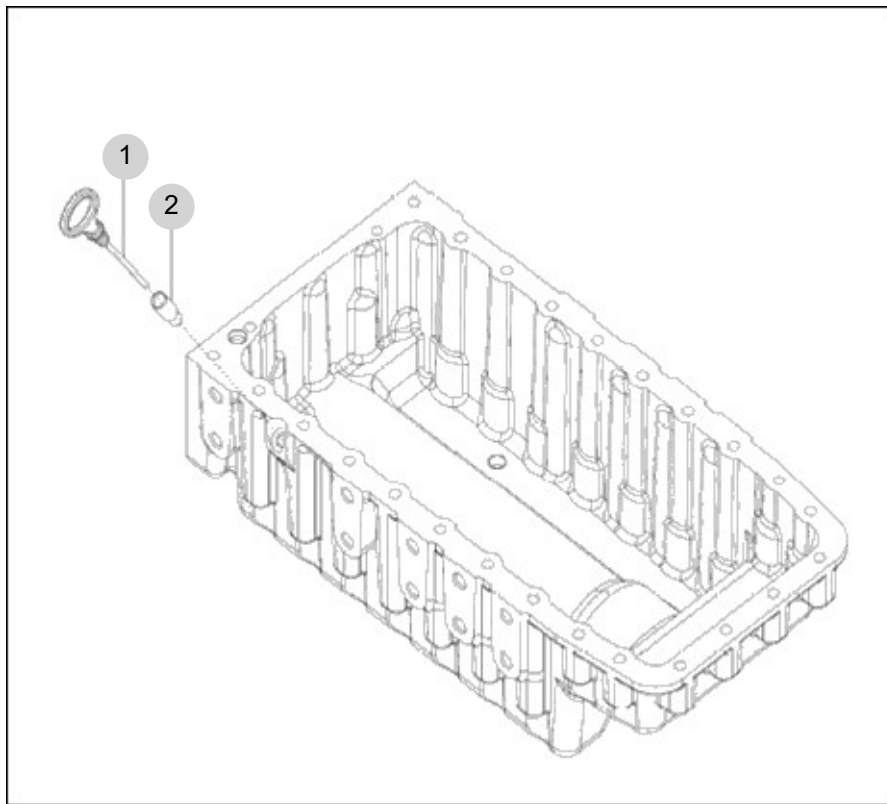
FIG 125

OIL GAUGUE

년/월  
Year/Month

T475NCEU

2022-12



NOTE



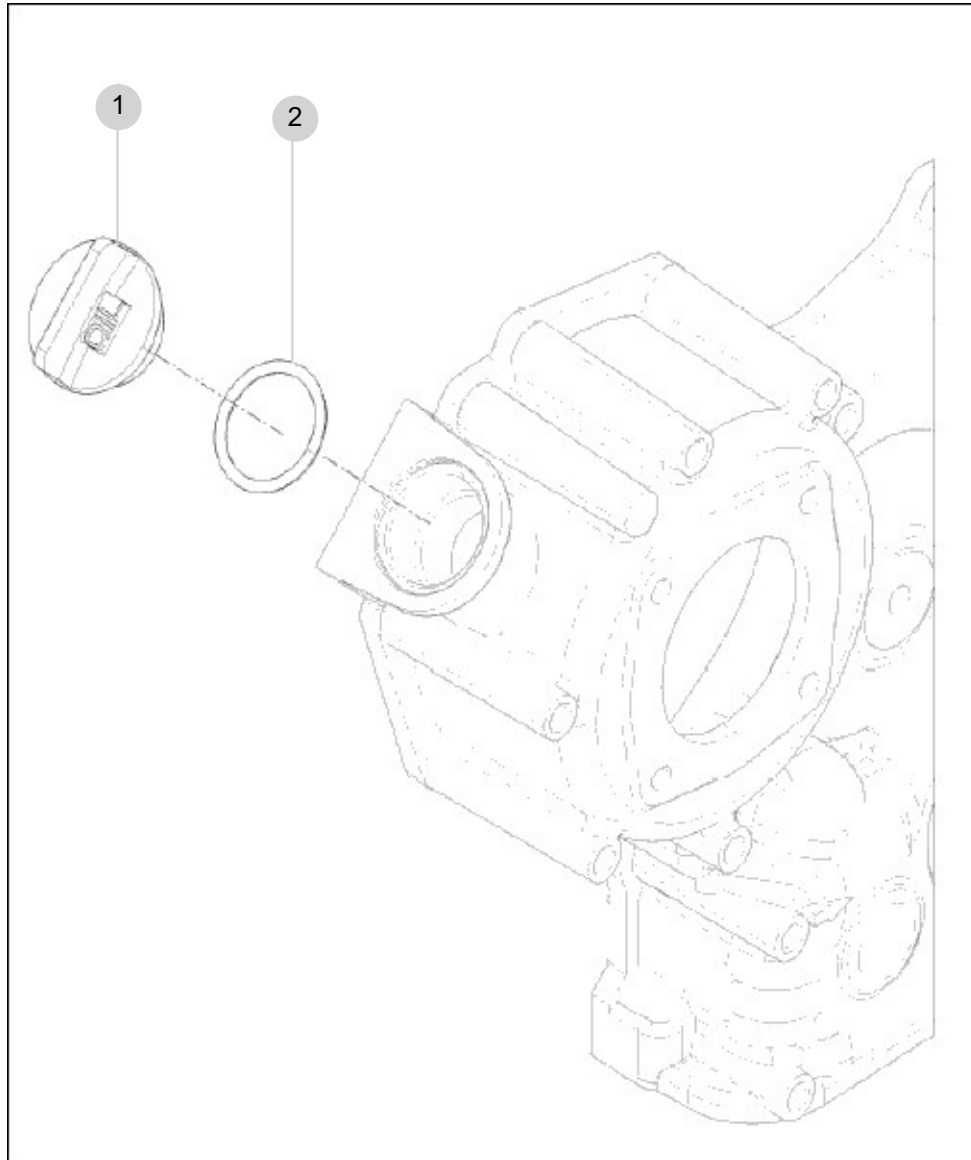
FIG 126

T475NCEU

OIL FILLER CAP

년/월  
Year/Month

2022-12



NOTE





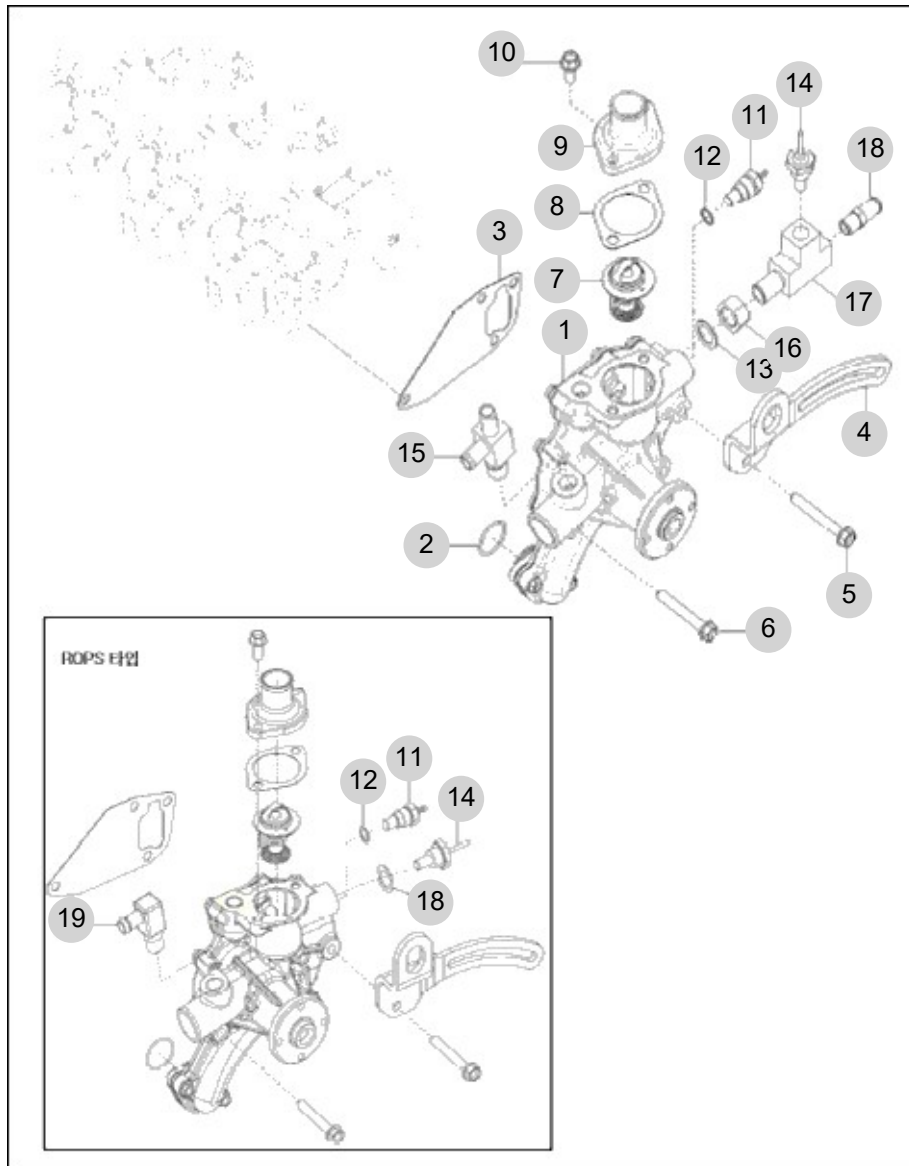
FIG 127

COOLING WATER PUMP

년/월  
Year/Month

2022-12

T475NCEU



NOTE

FIG 127		COOLING WATER PUMP					년/월	
							Year/Month	
T475NCEU		2022-12						
KEY NO	PART NO	DESCRIPTION	SPEC	QTY	REPAIR	EFFECTIVE DATE	REMARKS	
127	1	EA00006114A	냉각수 펌프조합					
127	2	24341-000280	오링 S-28					
127	3	HRA1200200B	패킹(CWP커버 외측)					
127	3	HRA1200200A	PACKING(CWP COVER)					
127	4	EA00004306B	벨트조정부래킷					
127	4	EA00004306A	BRACKET, BELT ADJUSTMENT					
127	5	26106-080602	HEX. FLANGE BOLT					
127	6	26106-080552	HEX. FLANGE BOLT					
127	7	HK10030000A	서머스텝	1X1X1				
127	8	HA10670000C	커버패킹					
127	8	HA10670000B	가스켓 써모스텝커버					
127	9	HC09160000B	COVER(THERMO STAT)					
127	10	26106-080182	육각플랜지볼트					
127	11	HH12190000A	SENSOR, WATER					
127	12	23414-100014	패킹					
127	13	23414-160000	패킹					
127	14	HH12210000A	SENSOR(AIR HEATER)					
127	15	FLW5110000B	T조인트					
127	16	26736-160002	육각너트					
127	17	FLW5100000A	T조인트					
127	18	HRC1204000B	NIPPLE, PLAIN PIPE					
127	18	HRC1204000A	JOINT PT 1/4					
127	19	CEE2080000A	90엘보					
NOTE								

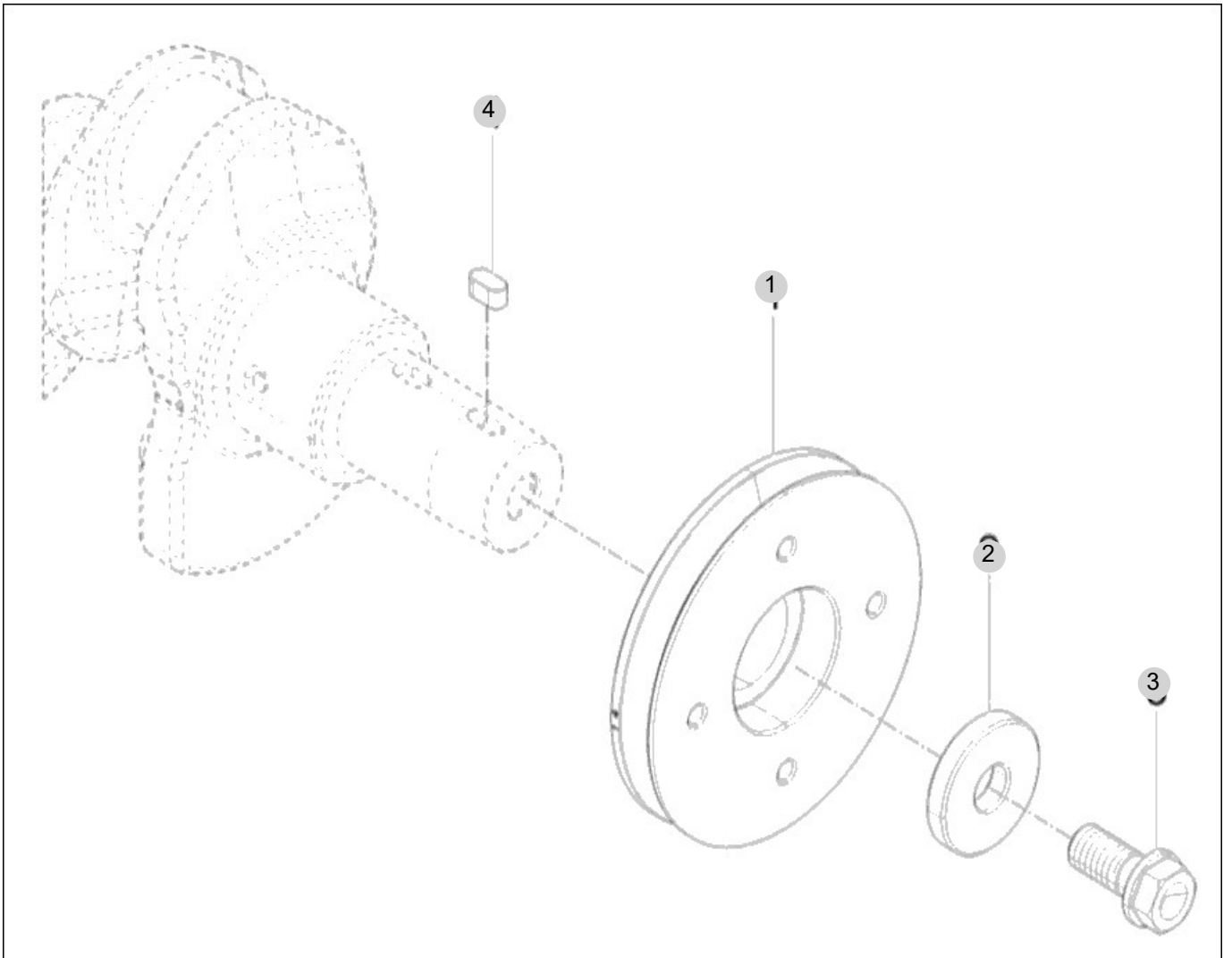
FIG 128

T475NCEU

CRANK SHAFT PULLEY

년/월  
Year/Month

2022-12



NOTE



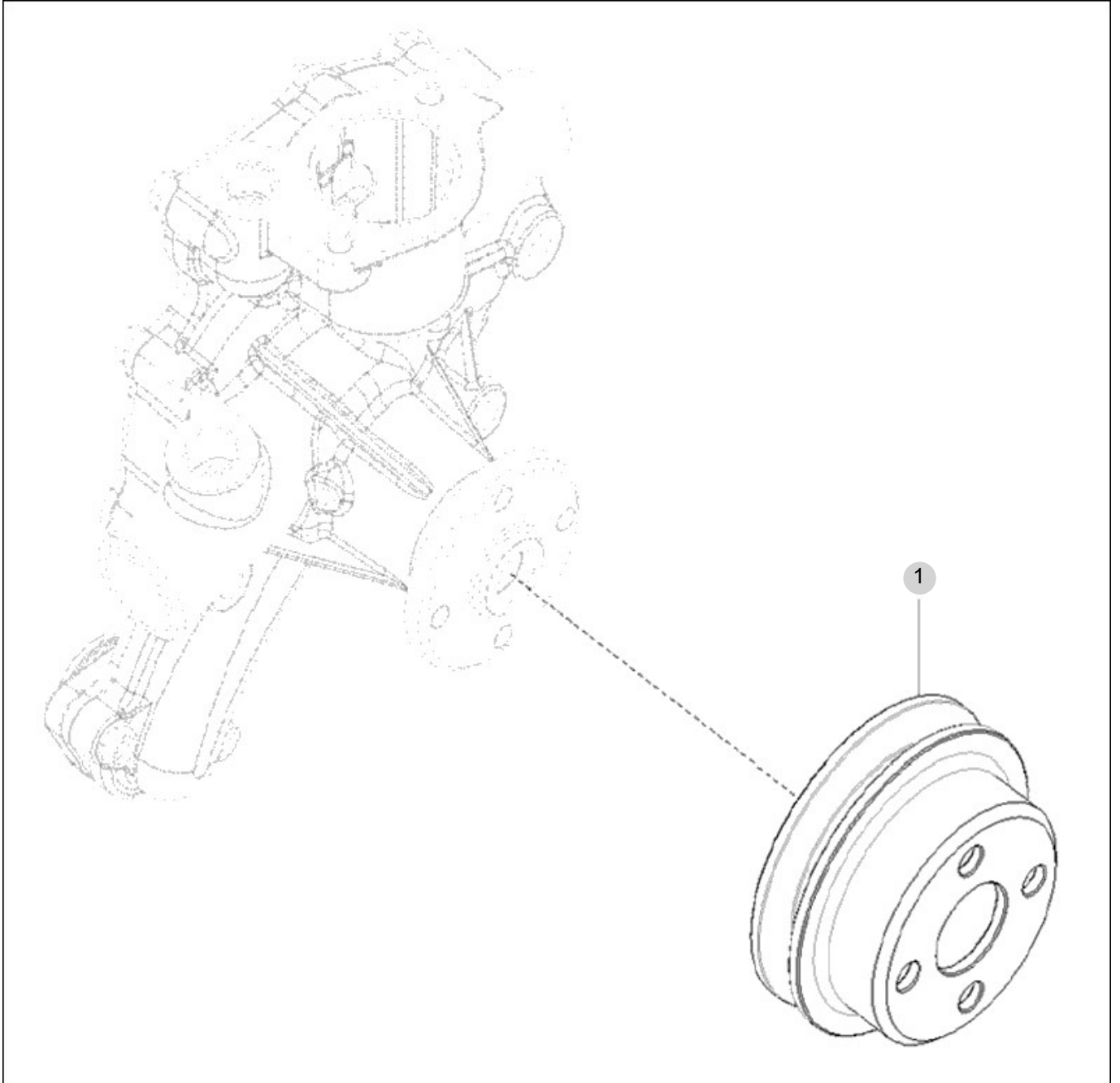
FIG 129

V-PULLEY

년/월  
Year/Month

T475NCEU

2022-12



NOTE



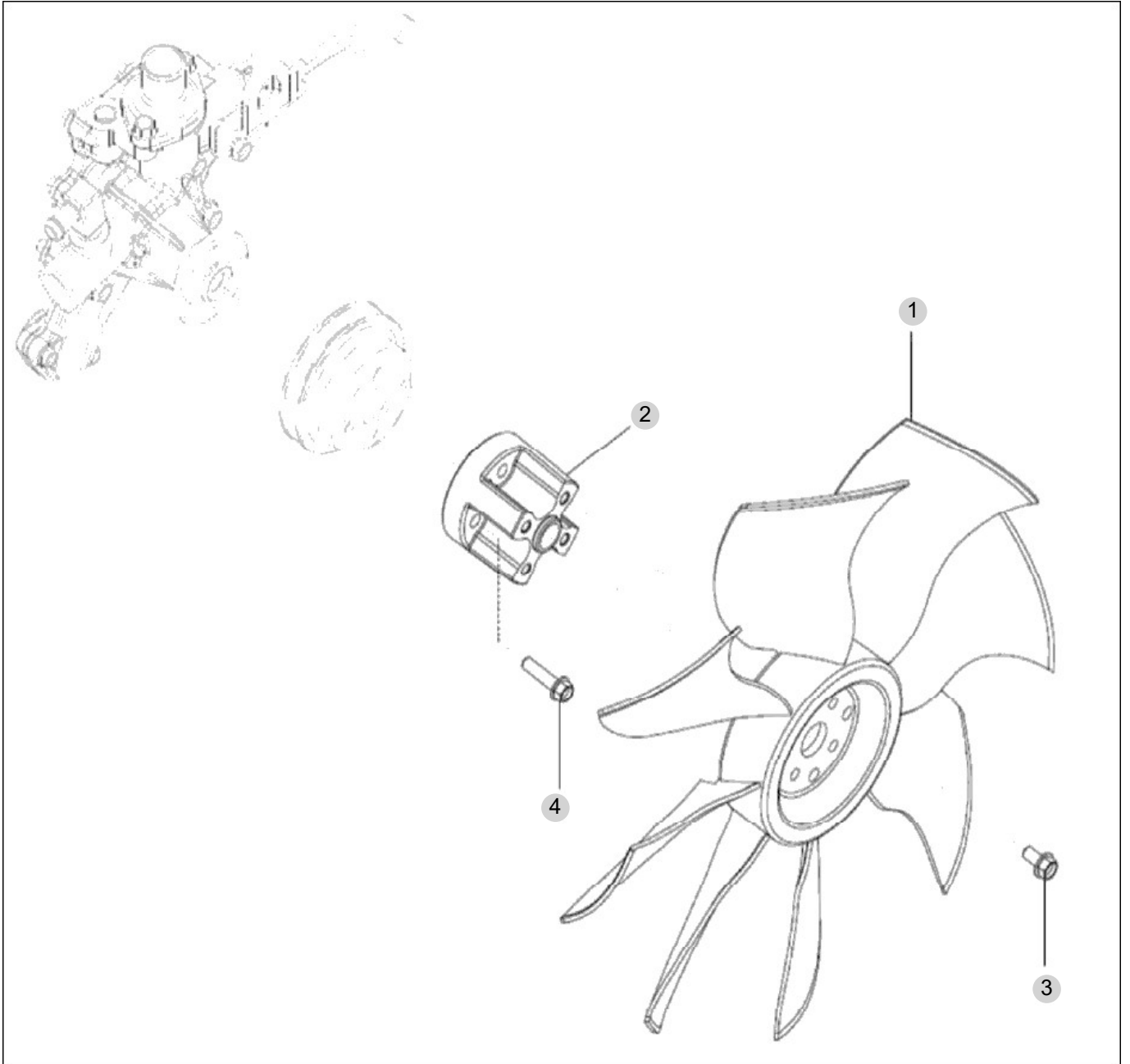
FIG 130

COOLING FAN

년/월  
Year/Month

T475NCEU

2022-12



NOTE





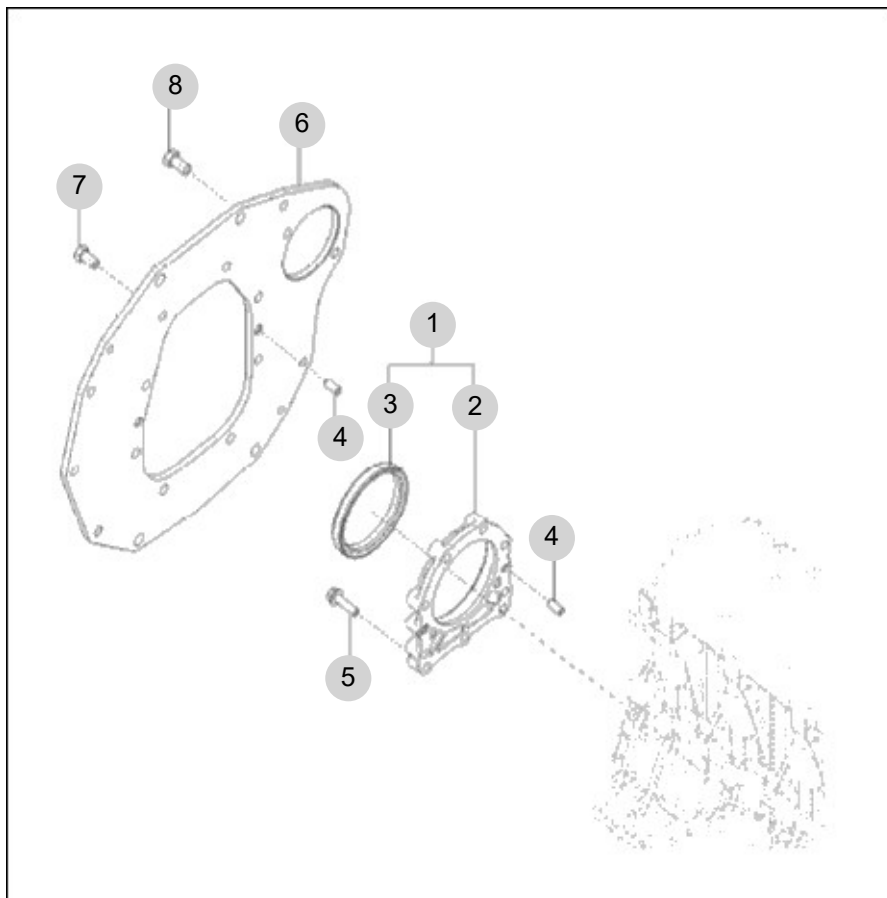
FIG 131

T475NCEU

FLYWHEEL HOUSING

년/월  
Year/Month

2022-12



NOTE



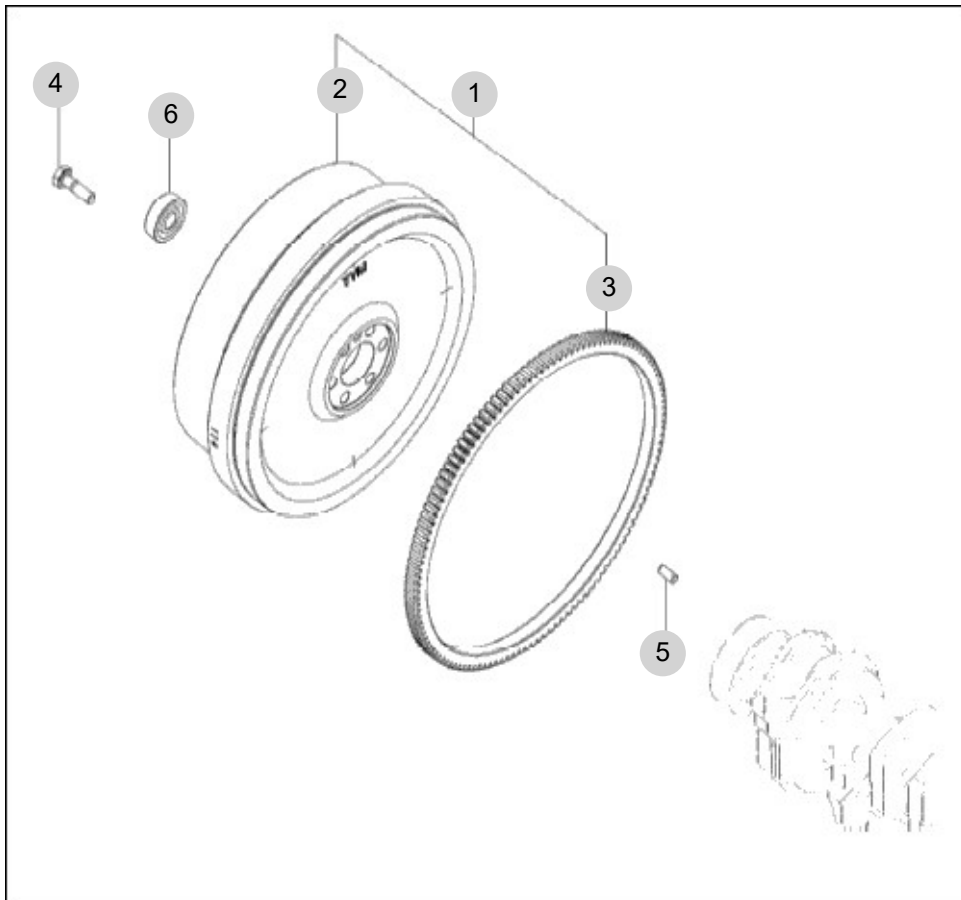
FIG 132

T475NCEU

FLYWHEEL

년/월  
Year/Month

2022-12



NOTE



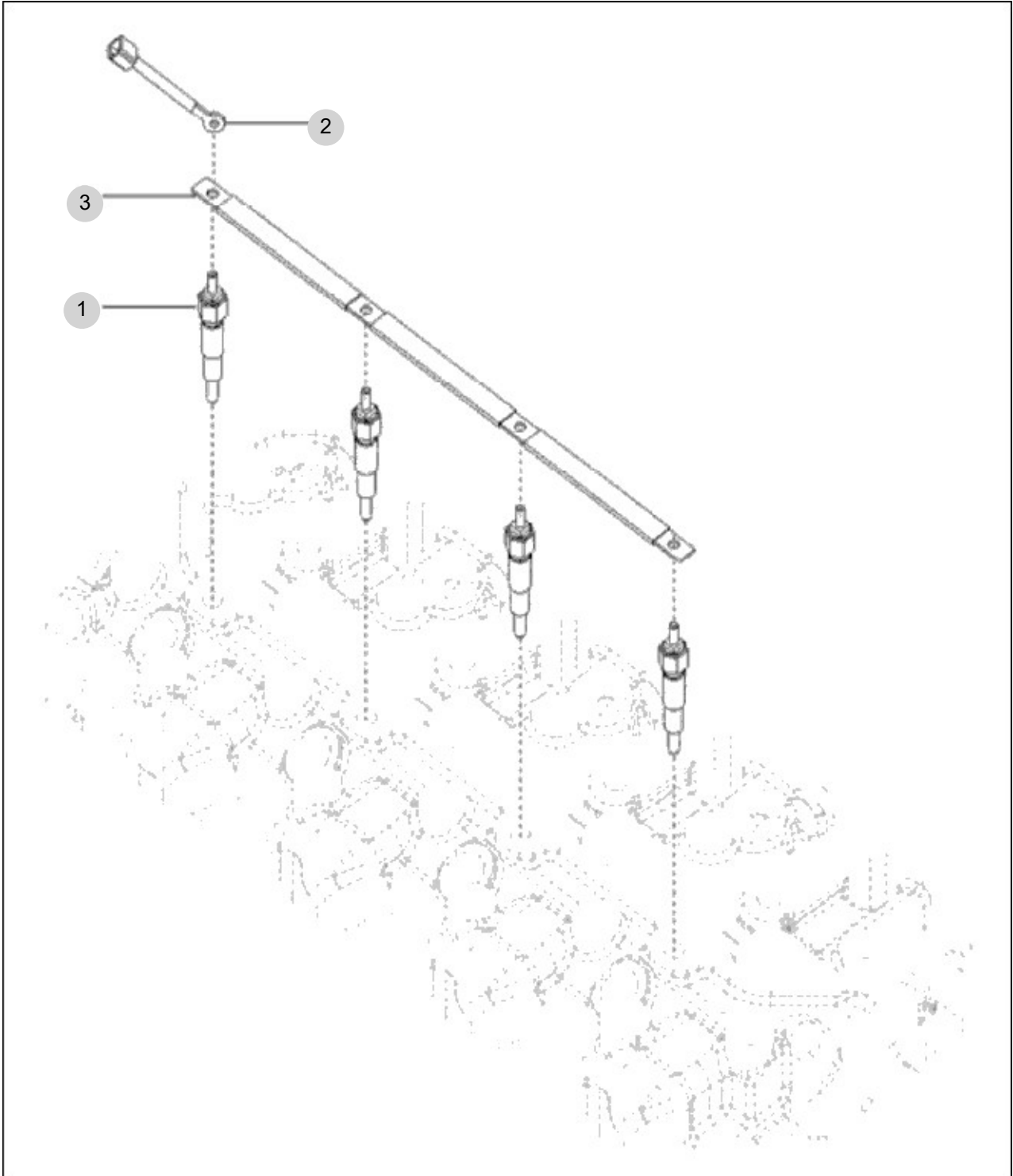
FIG 133

T475NCEU

GLOW PLUG ASS'Y OPTION

년/월  
Year/Month

2022-12



NOTE



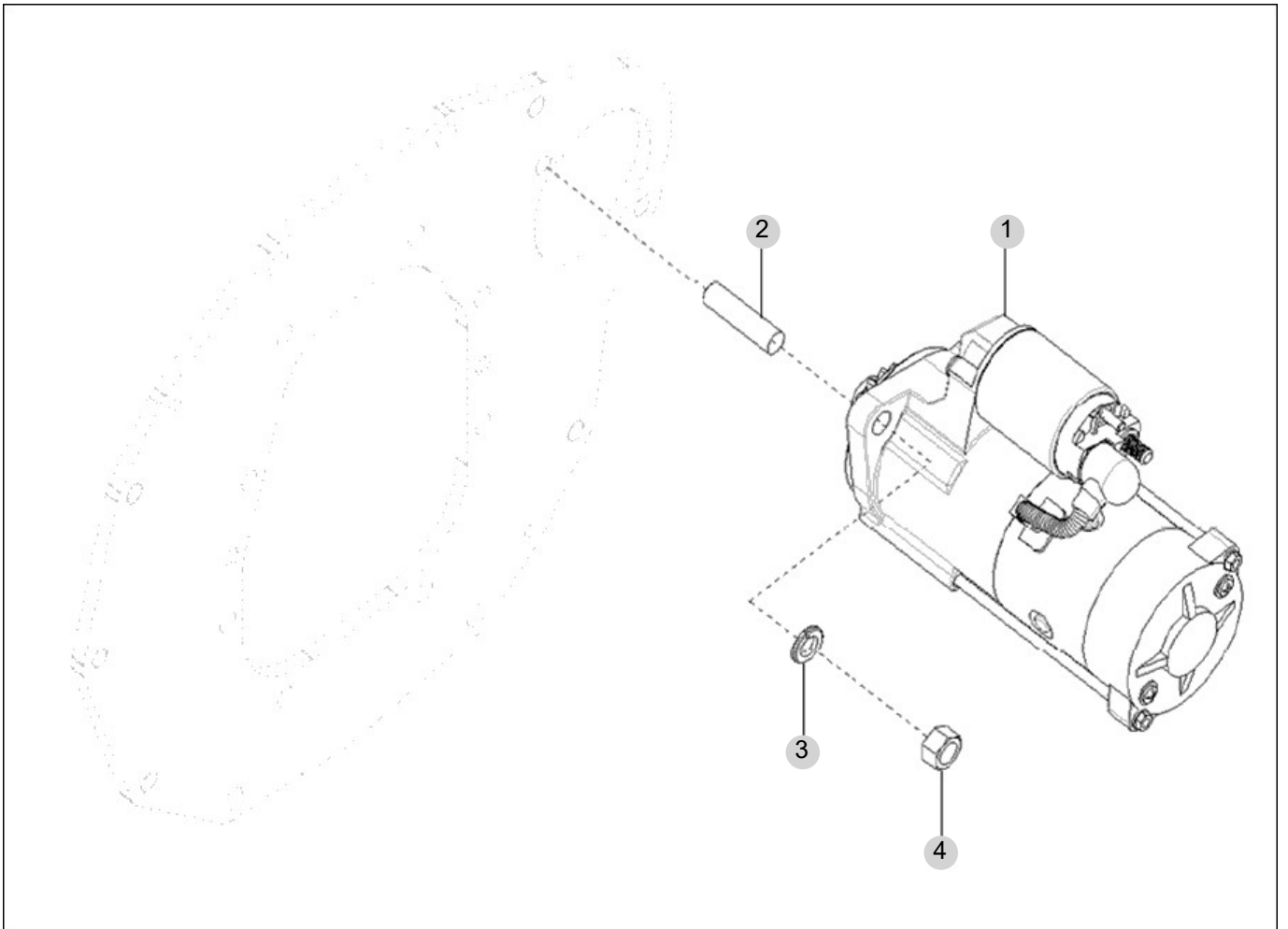
FIG 134

T475NCEU

STARTING MOTOR

년/월  
Year/Month

2022-12



NOTE





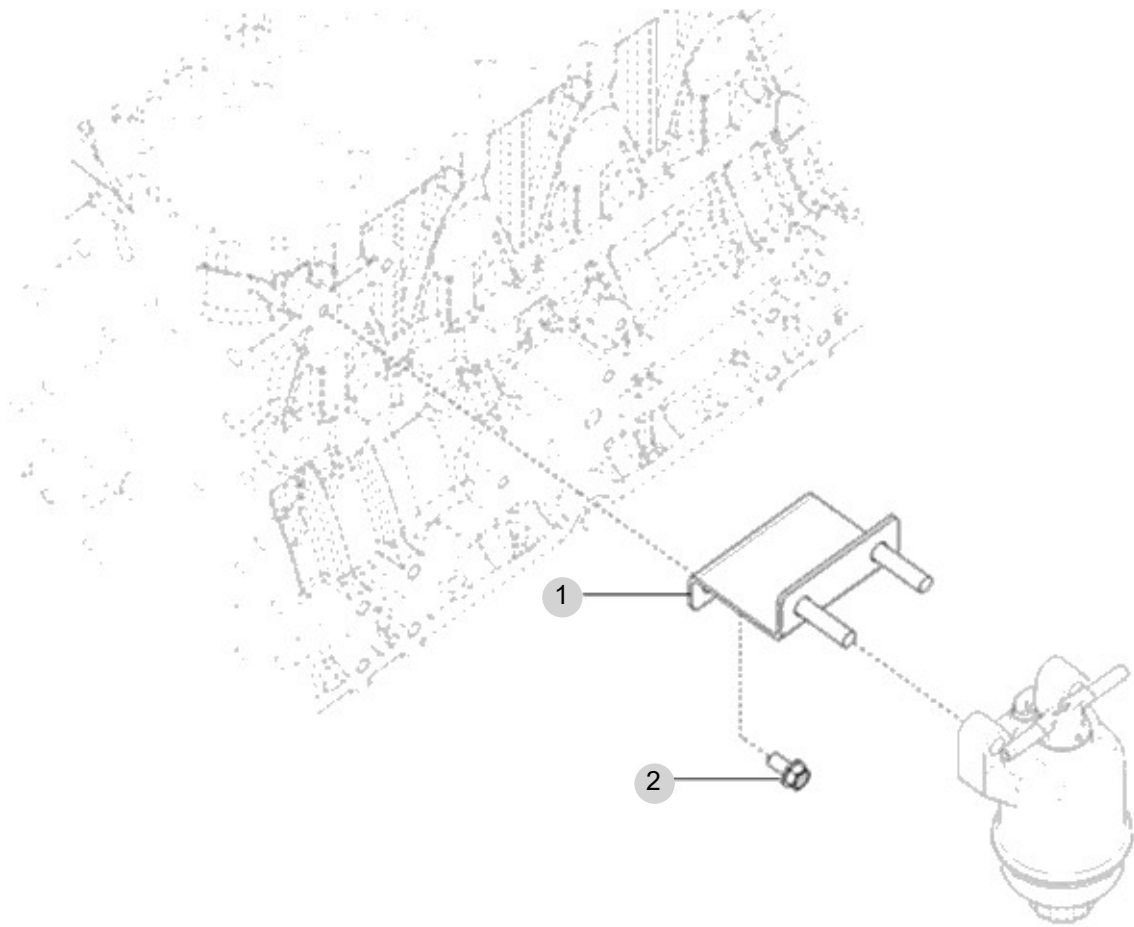
FIG 135

T475NCEU

FUEL FILTER BRACKET ASS'Y

년/월  
Year/Month

2022-12



NOTE



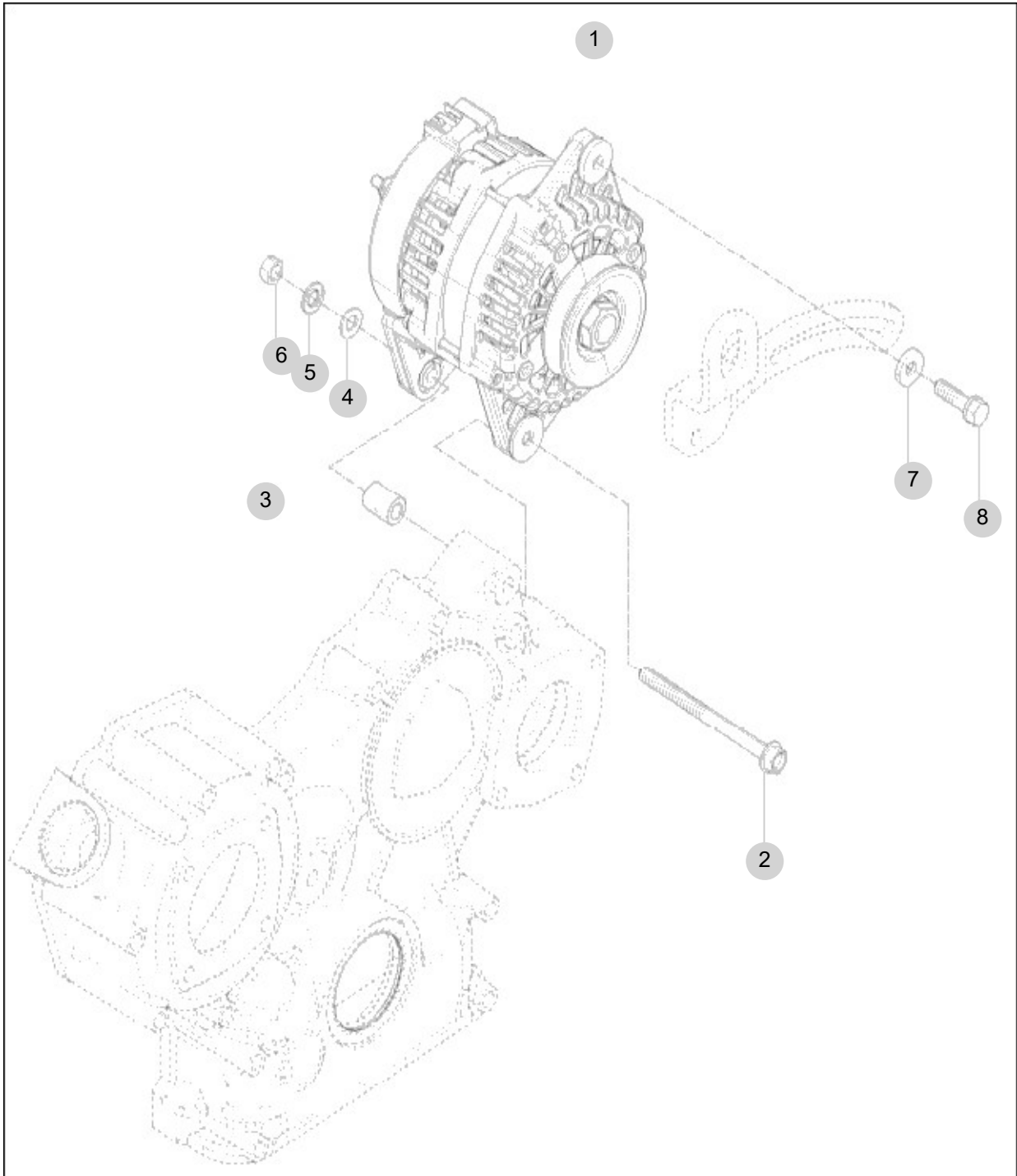
FIG 136

ALTERNATOR

년/월  
Year/Month

T475NCEU

2022-12



NOTE



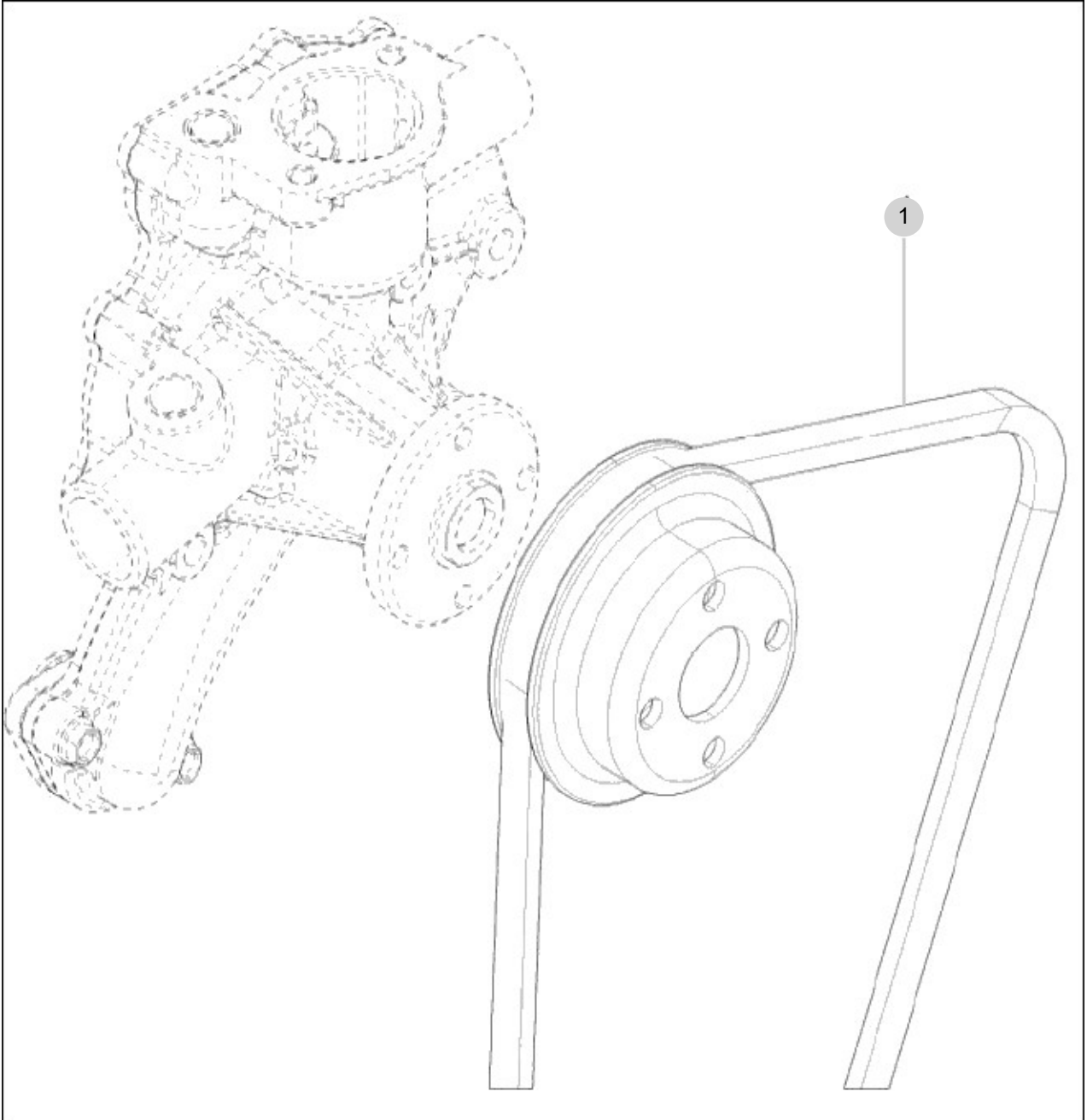
FIG 137

T475NCEU

V-BELT

년/월  
Year/Month

2022-12



NOTE



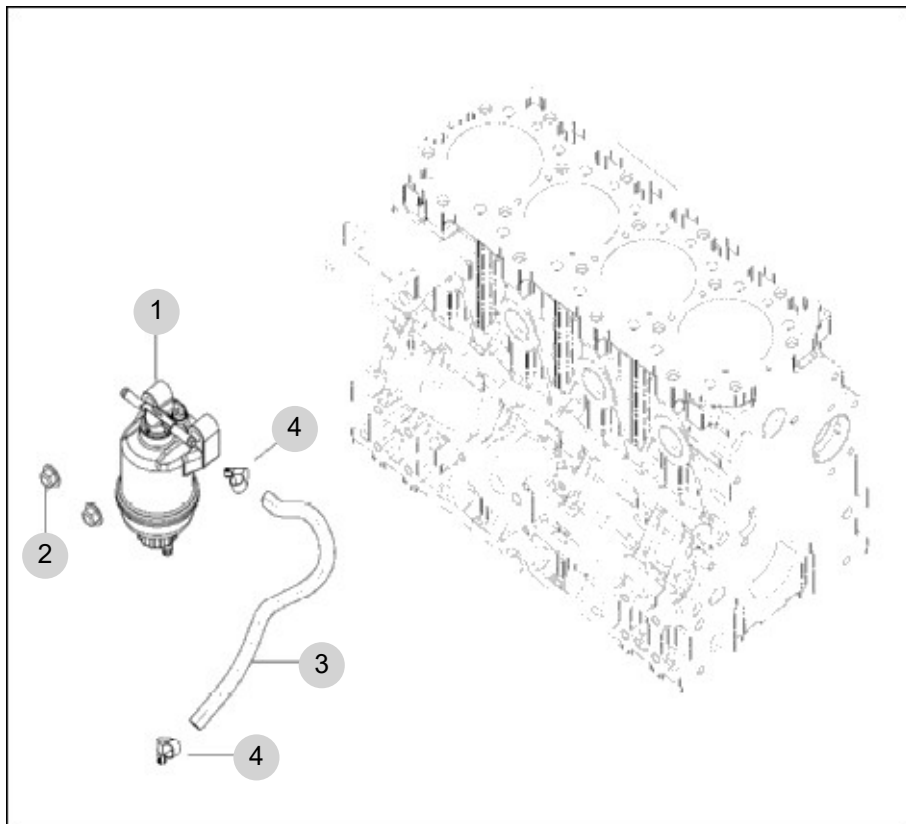
FIG 138

T475NCEU

FUEL FILTER

년/월  
Year/Month

2022-12



NOTE





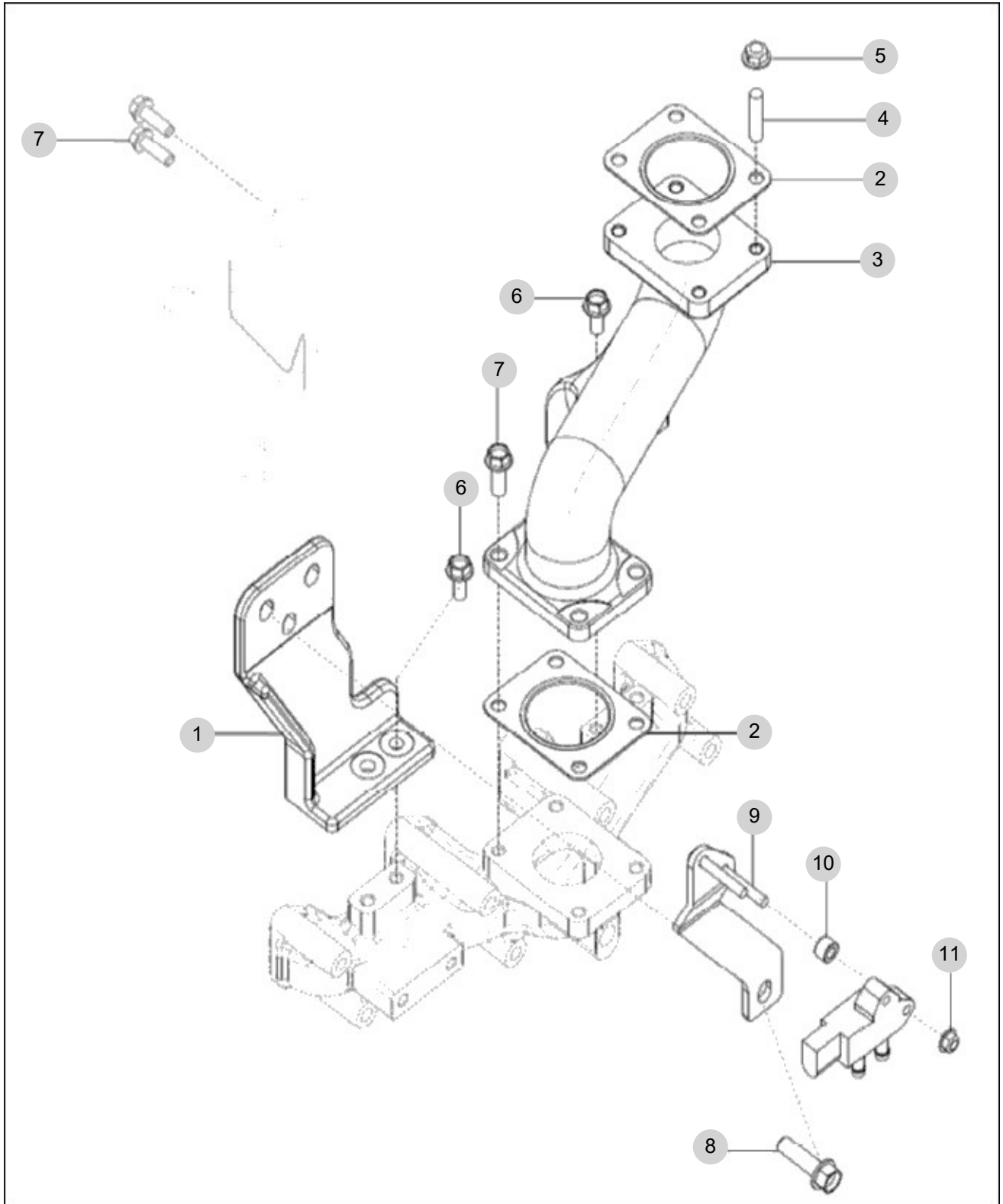
FIG 139

DPF SUPPORT

년/월  
Year/Month

T475NCEU

2022-12



NOTE



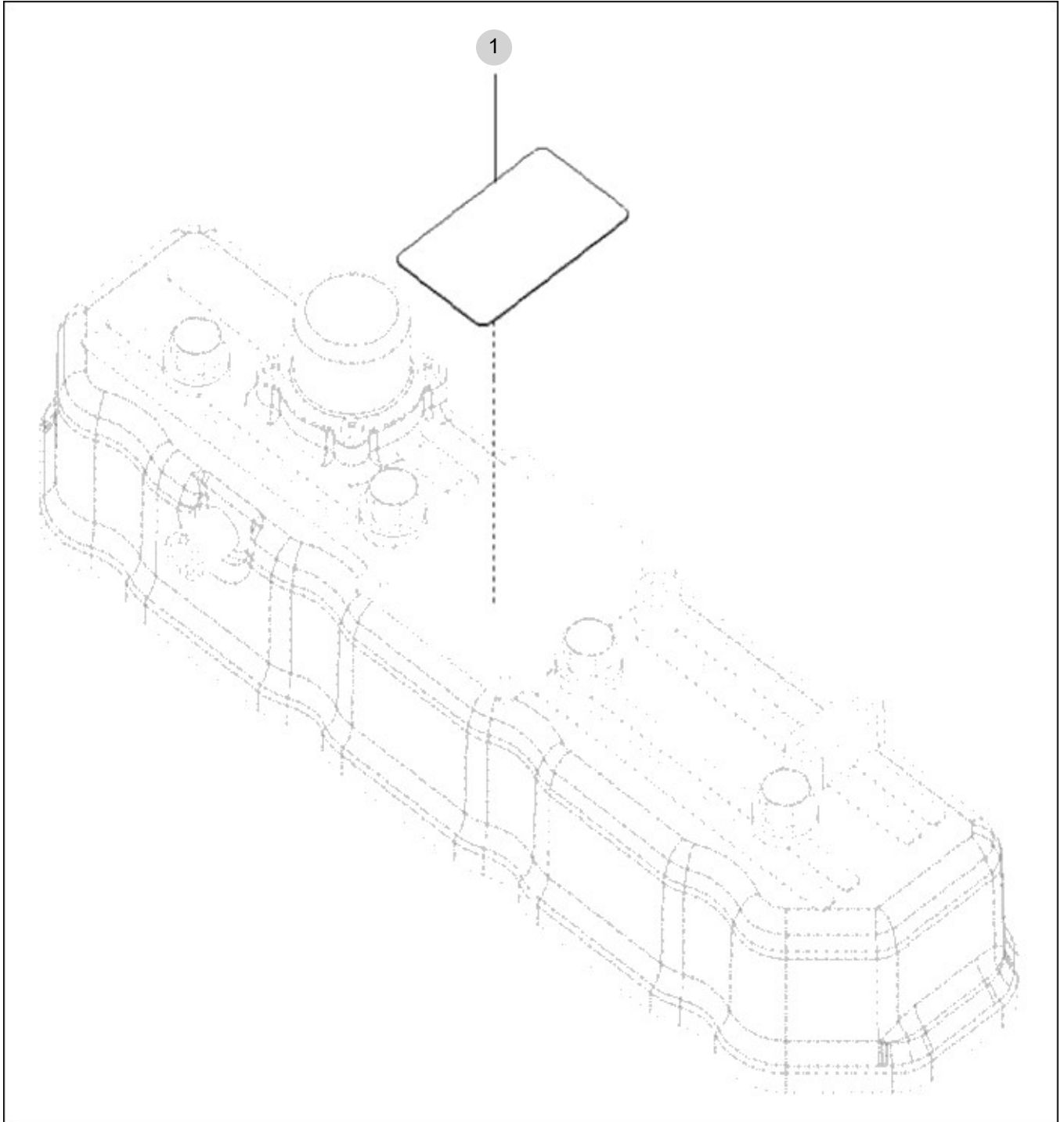
FIG 140

T475NCEU

DATAPLATE

년/월  
Year/Month

2022-12



NOTE



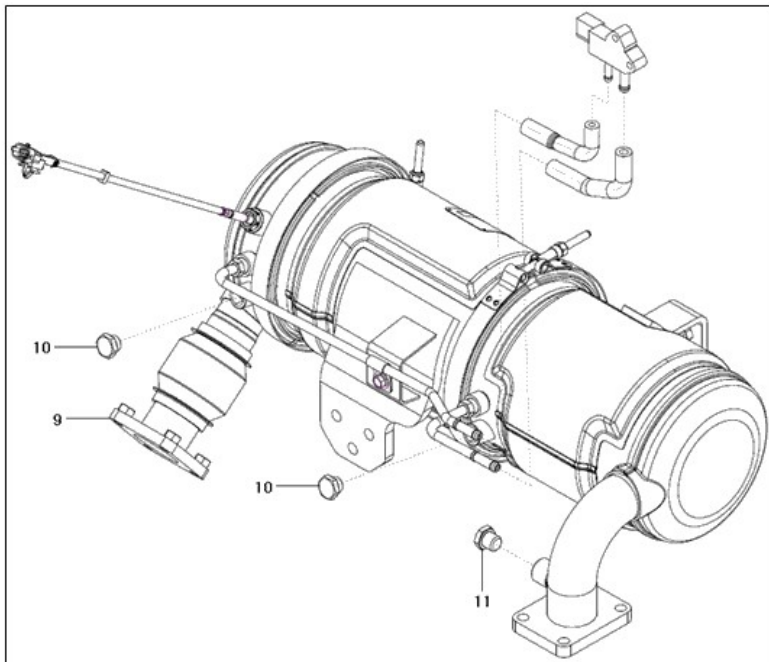
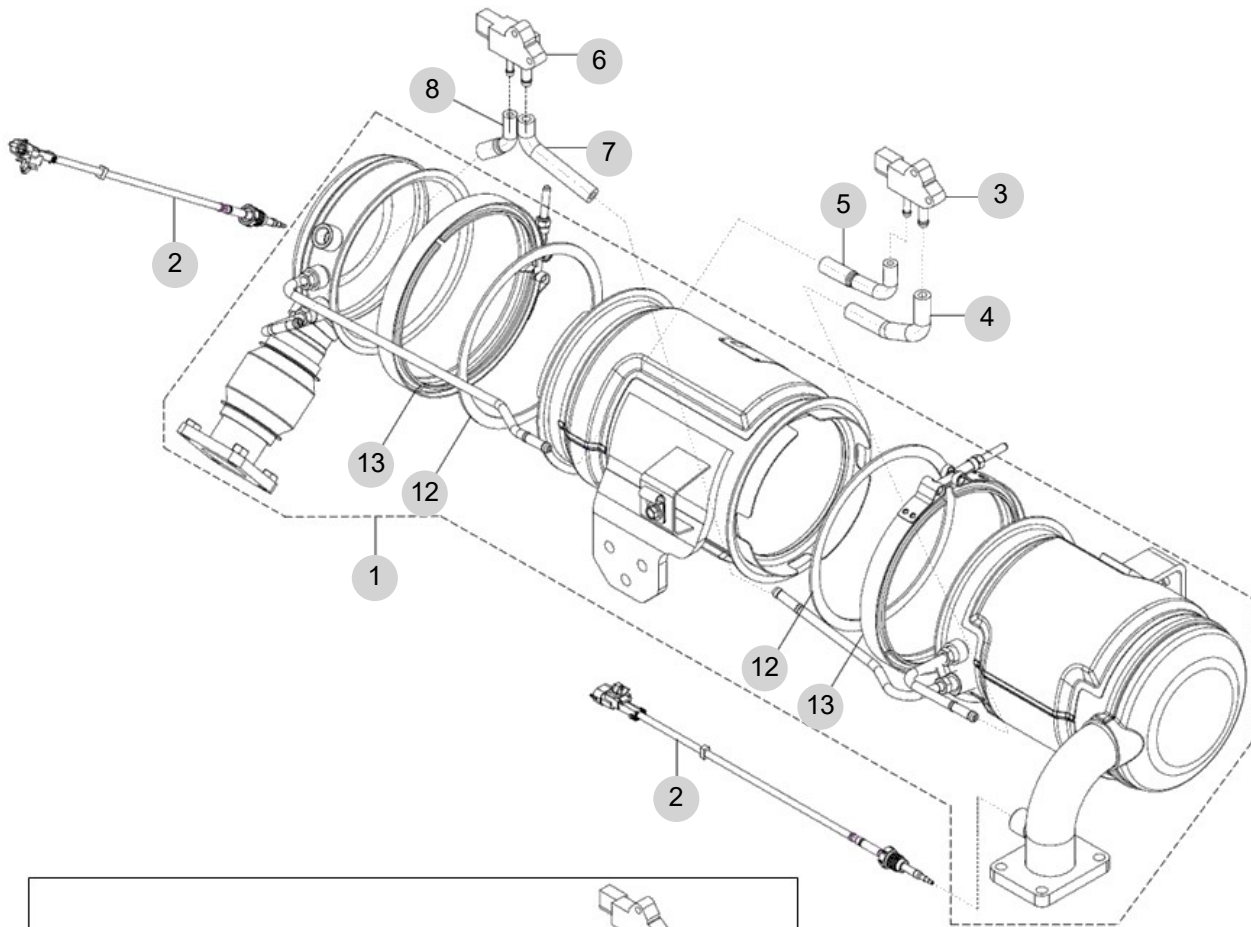
FIG 142

T475NCEU

DPF ASS'Y

년/월  
Year/Month

2022-12



NOTE



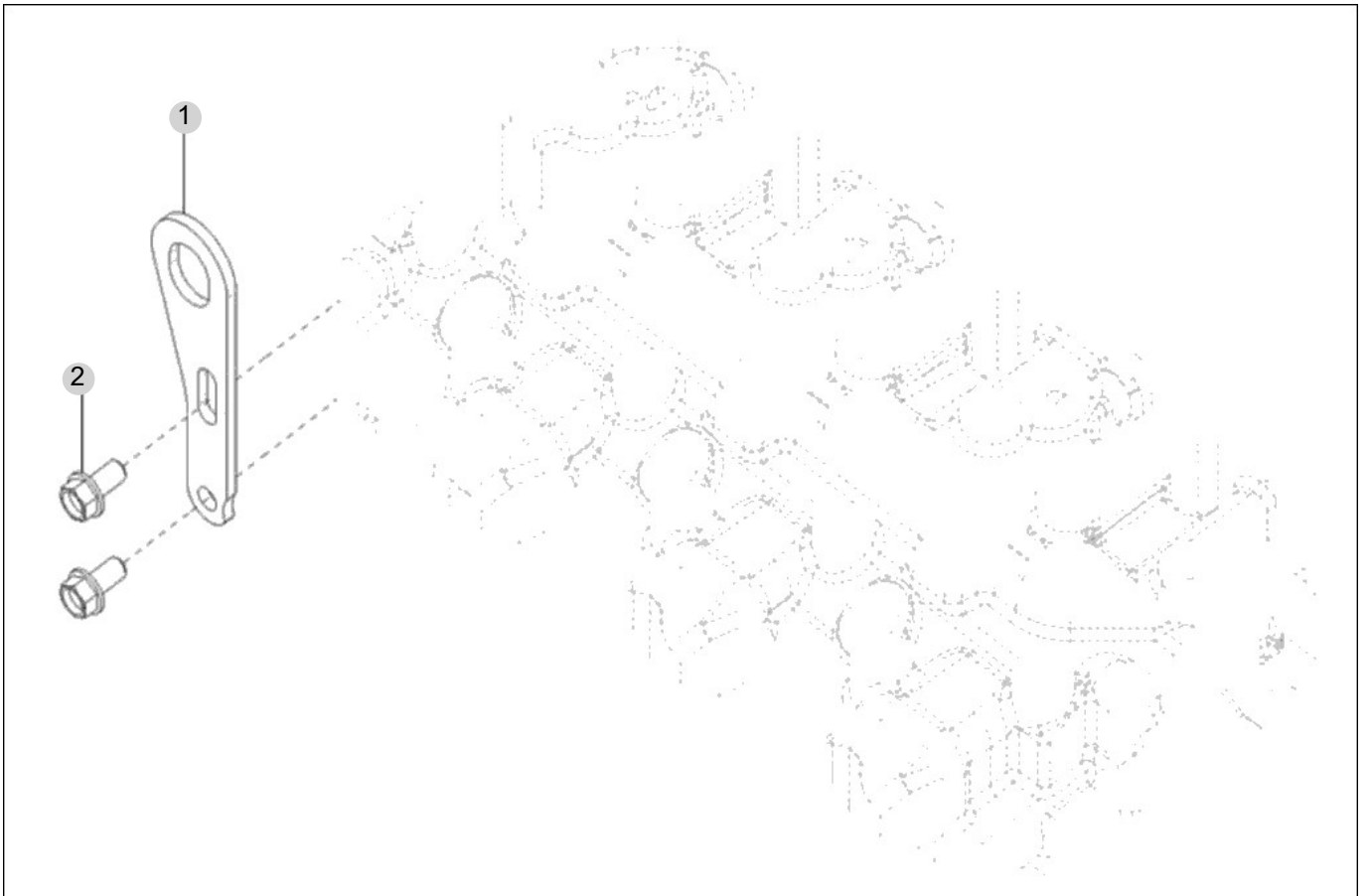
FIG 143

LIFT ASS'Y

년/월  
Year/Month

T475NCEU

2022-12



NOTE





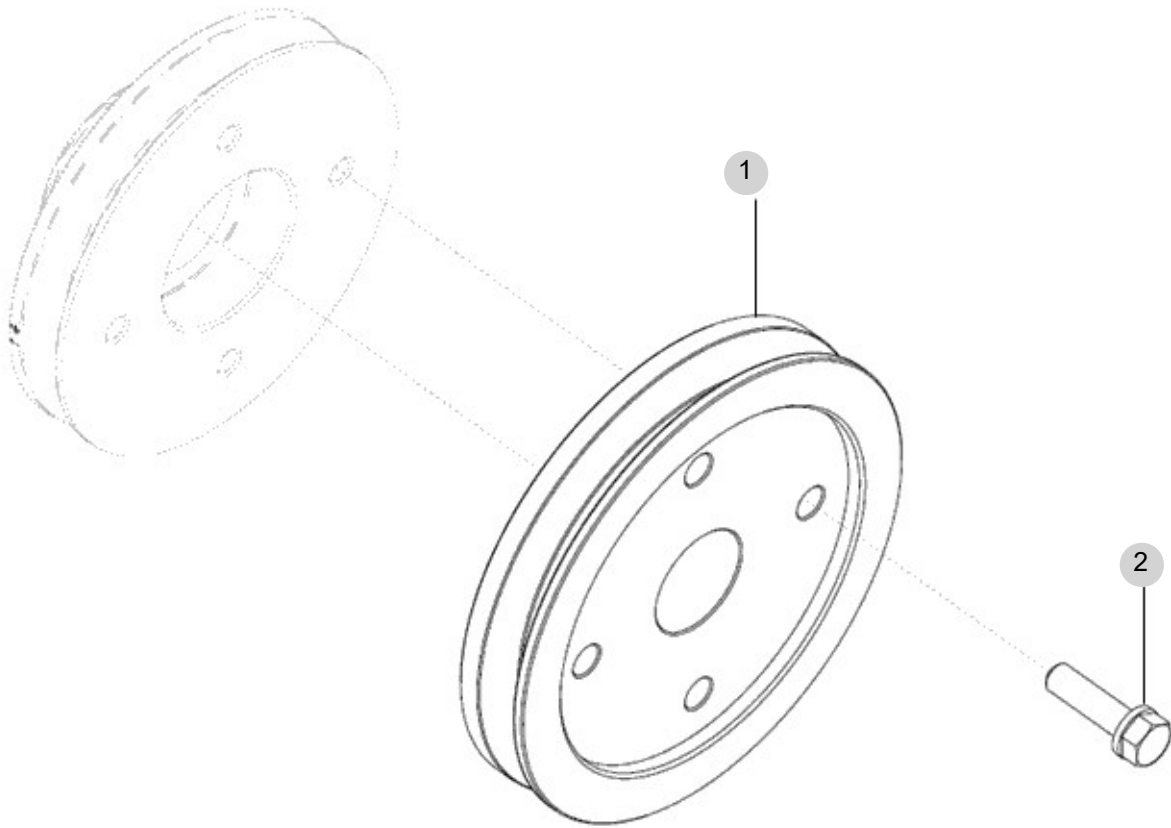
FIG 144

T475NCEU

COMP. DRIVE PULLEY ASS'Y OPTION

년/월  
Year/Month

2022-12



NOTE



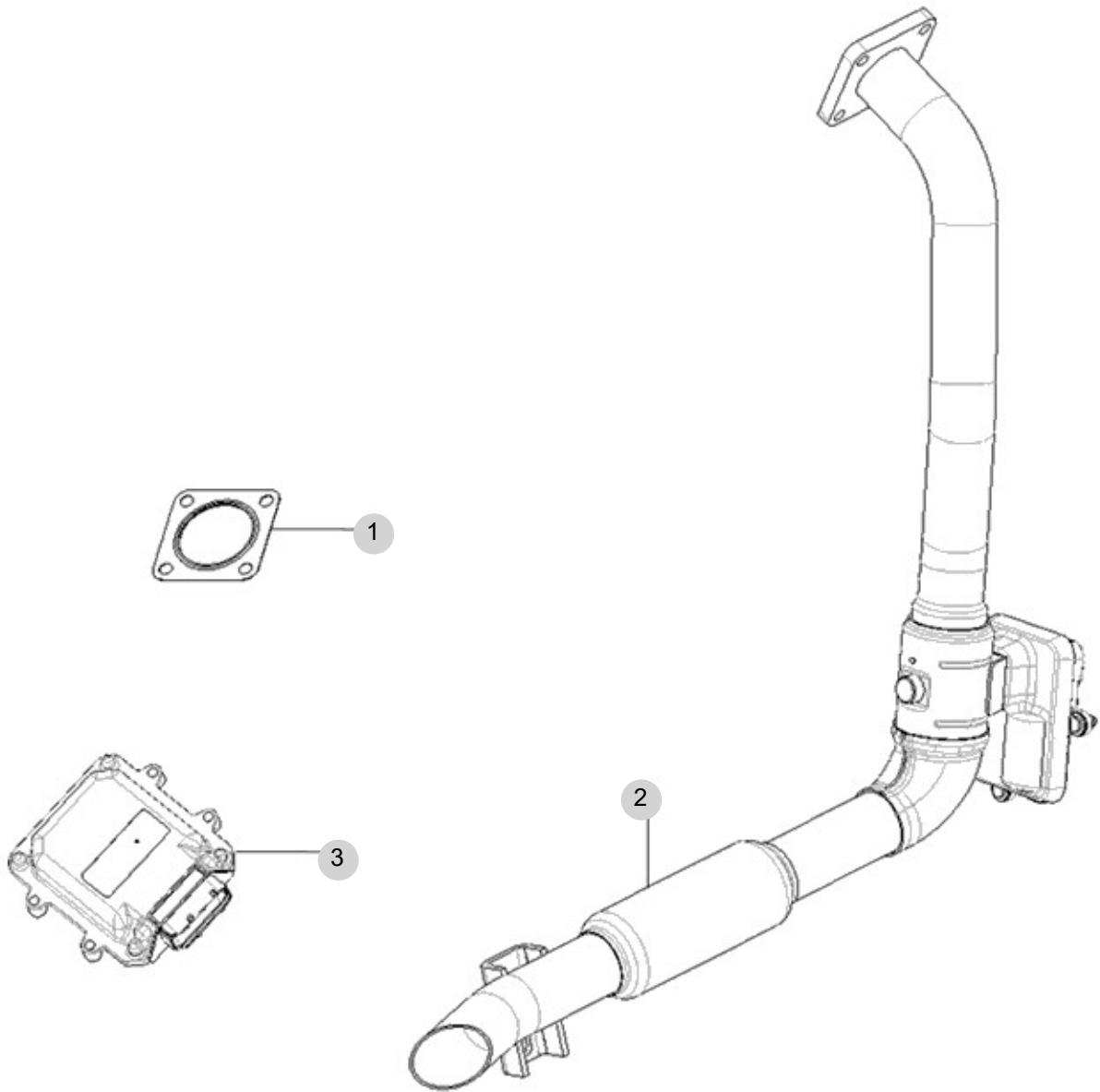
FIG 145

T475NCEU

LOOSED PARTS

년/월  
Year/Month

2022-12



NOTE



## 2. 엔진보기품 PART NO. T2

FIG 201 AIR CLEANER	99
FIG 202 RADIATOR	101
FIG 203 MUFFLER	103
FIG 204 FUEL TANK & FILTER	105
FIG 205 ACCELERATOR	107

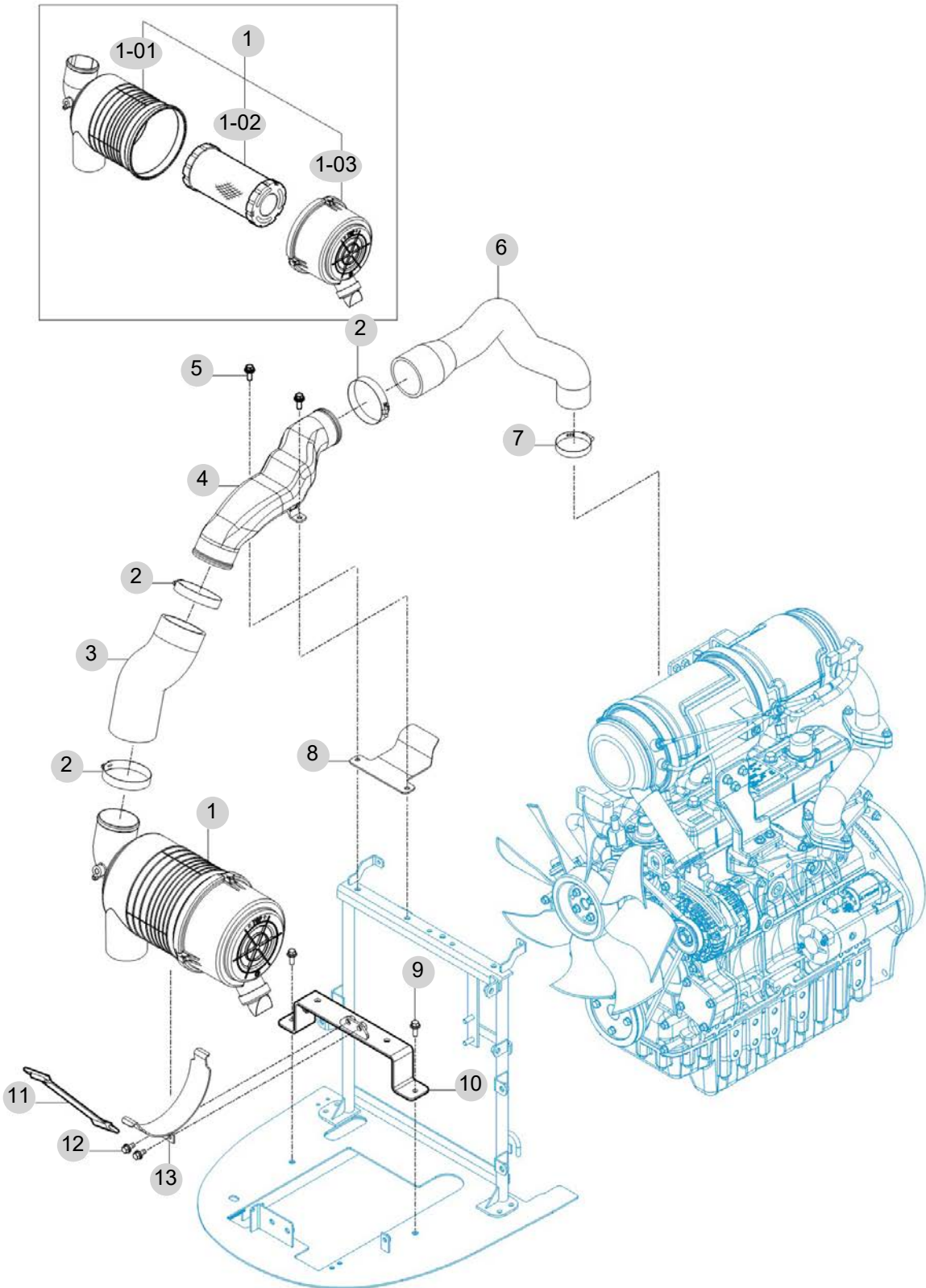
FIG 201

AIR CLEANER

년/월  
Year/Month

2022-12

T475NCEU



NOTE





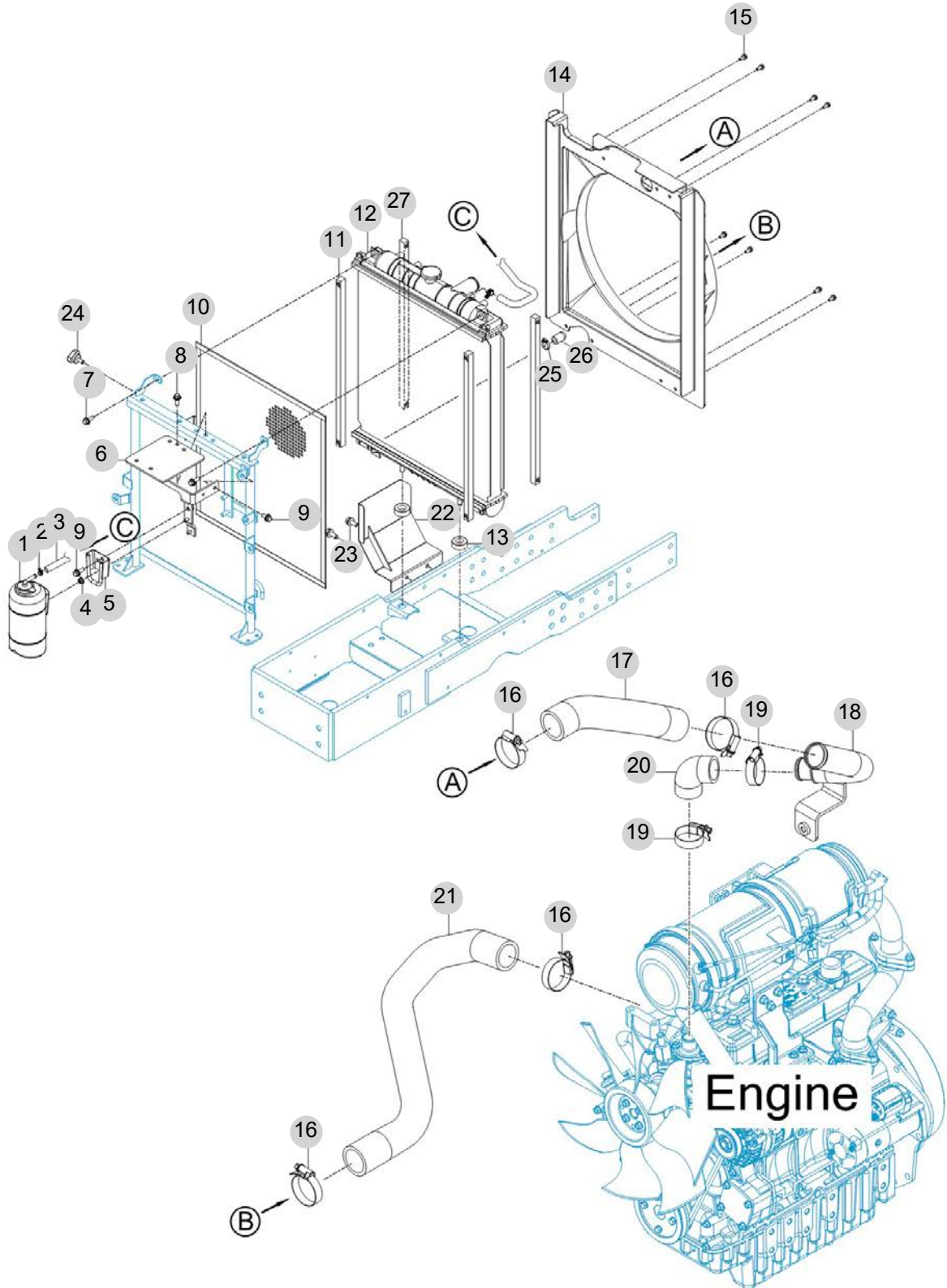
FIG 202

RADIATOR

년/월  
Year/Month

2022-12

T475NCEU



NOTE



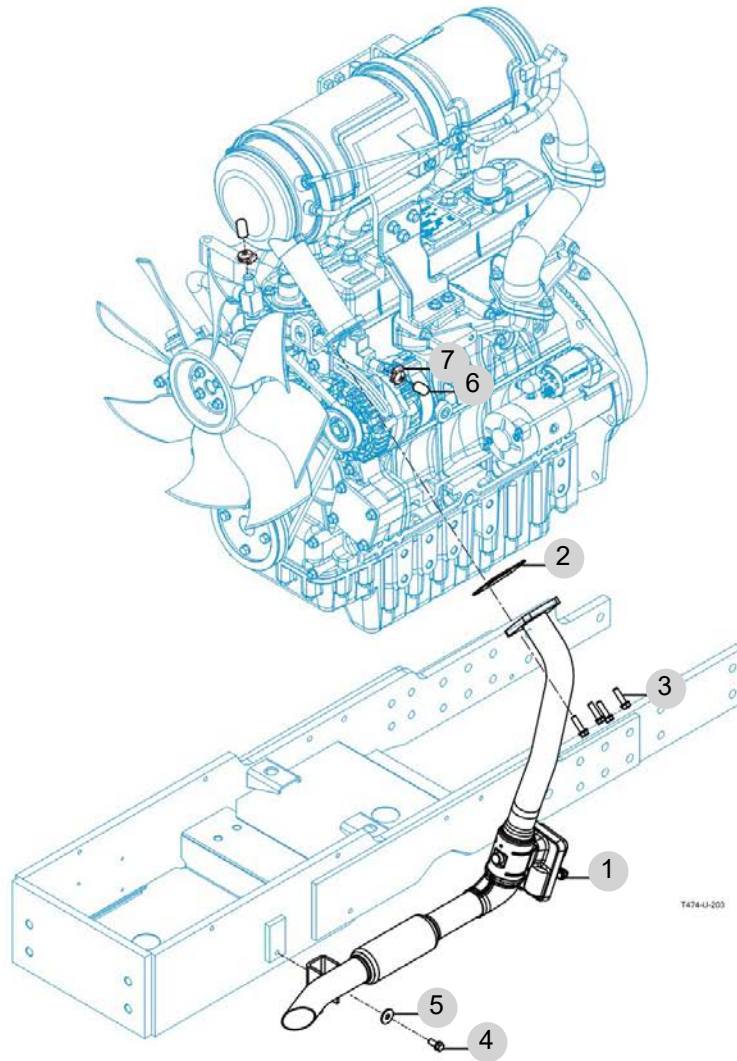
FIG 203

T475NCEU

MUFFLER

년/월  
Year/Month

2022-12



NOTE

FIG 203 T475NCEU		MUFFLER						년/월 Year/Month
								2022-12
KEY NO	PART NO	DESCRIPTION	SPEC	QTY	REPAIR	EFFECTIVE DATE	REMARKS	
203	1	EA00005797A	전자식 배기밸브 ASSY					
203	2	EA00004235A	가스켓					
203	3	V2173608030	소형육각볼트보통(S)	M8X30				
203	4	V2173608020	소형육각볼트보통(S)	M8X20				
203	5	35602010150	결속축와셔					
203	6	13871521100	캡, 냉각수					
203	7	18027090250	밴드 클램프 25 홍식					
NOTE								

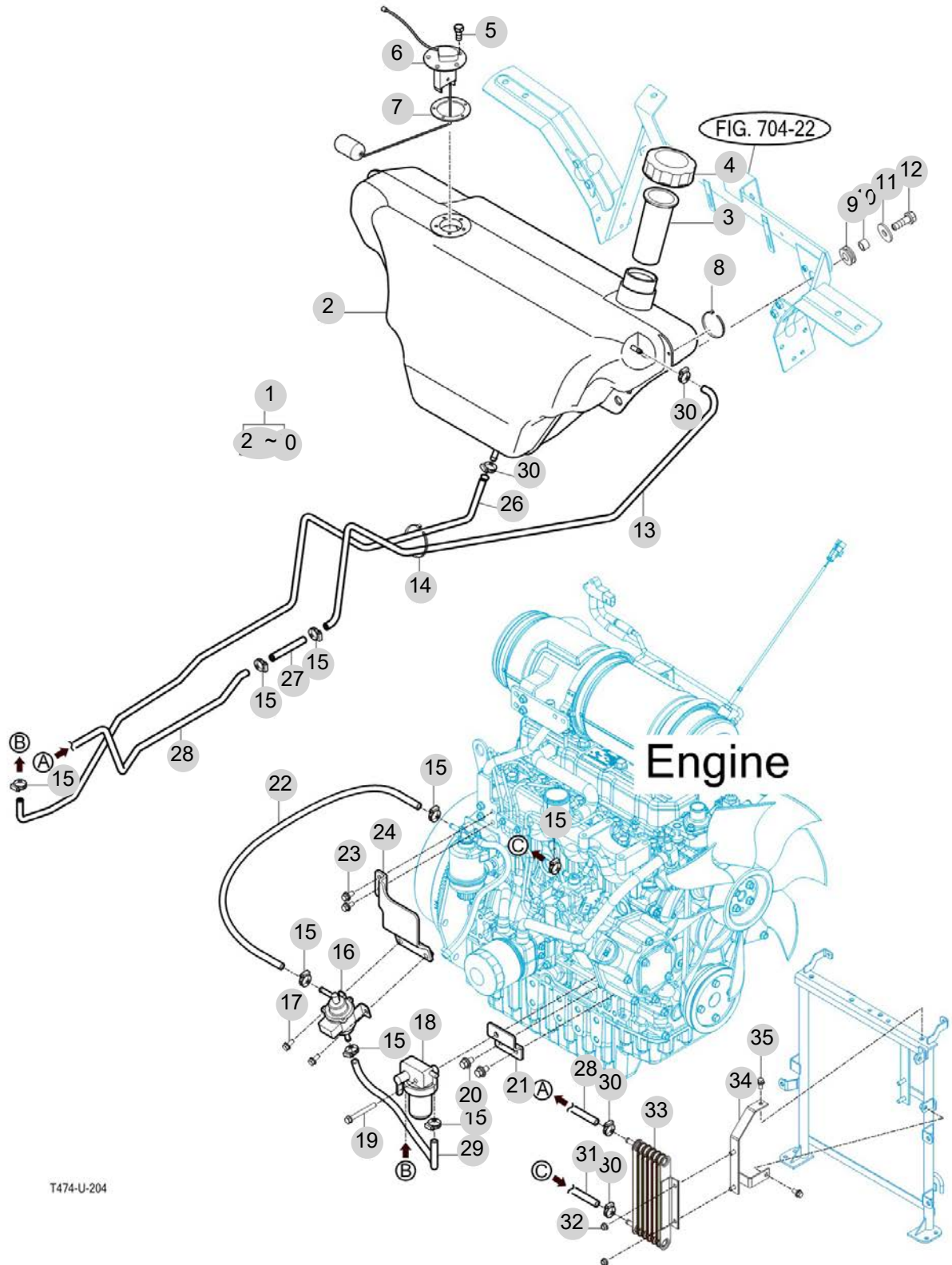
FIG 204

FUEL TANK & FILTER

년/월  
Year/Month

2022-12

T475NCEU



T474-U-204

NOTE



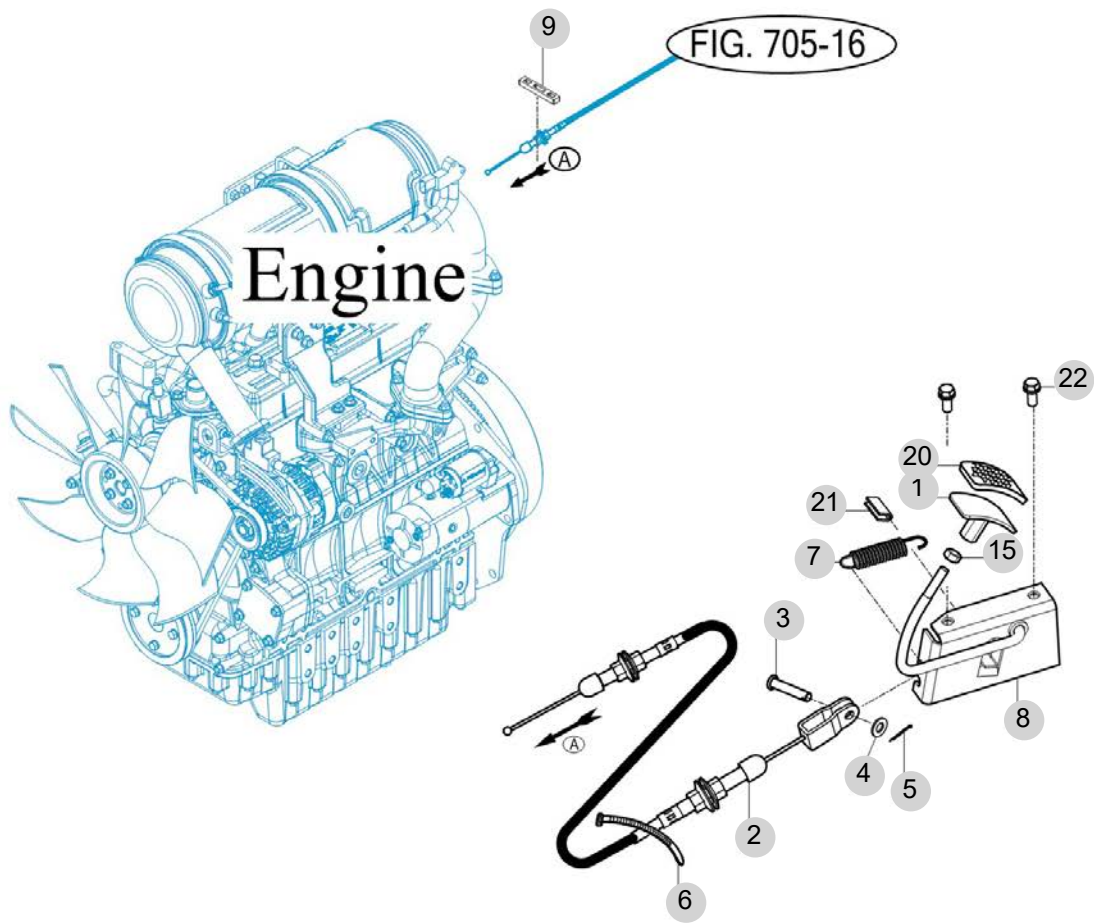
FIG 205

T475NCEU

ACCELERATOR

년/월  
Year/Month

2022-12



2540NC-E-205

NOTE





### 3. 클러치/브레이크/스티어링 PART NO. T3

FIG 301 CLUTCH PEDAL	110
FIG 302 FLYWHEEL & CLUTCH	112
FIG 303 BRAKE PEDAL	114
FIG 304 BRAKE	116
FIG 306 FRONT WHEEL MOUNTING	118
FIG 307 REAR WHEEL MOUNTING	120
FIG 308 STEERING WHEEL	122
FIG 309 STEERING VALVE & PARKING	124
FIG 310 STEERING CYLINDER	126
FIG 311 HAND BRAKE LINKAGE	128

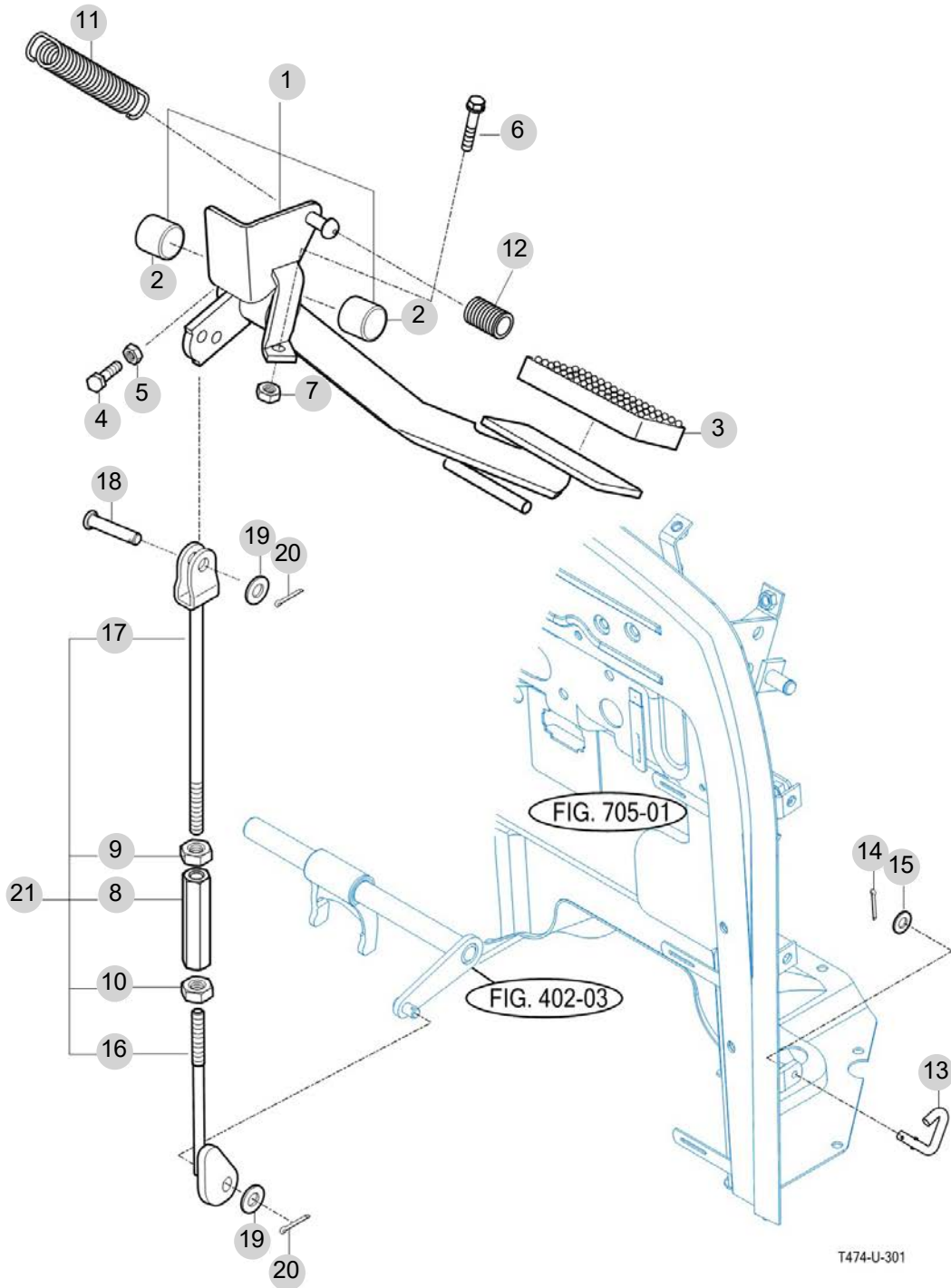
FIG 301

T475NCEU

CLUTCH PEDAL

년/월  
Year/Month

2022-12



NOTE



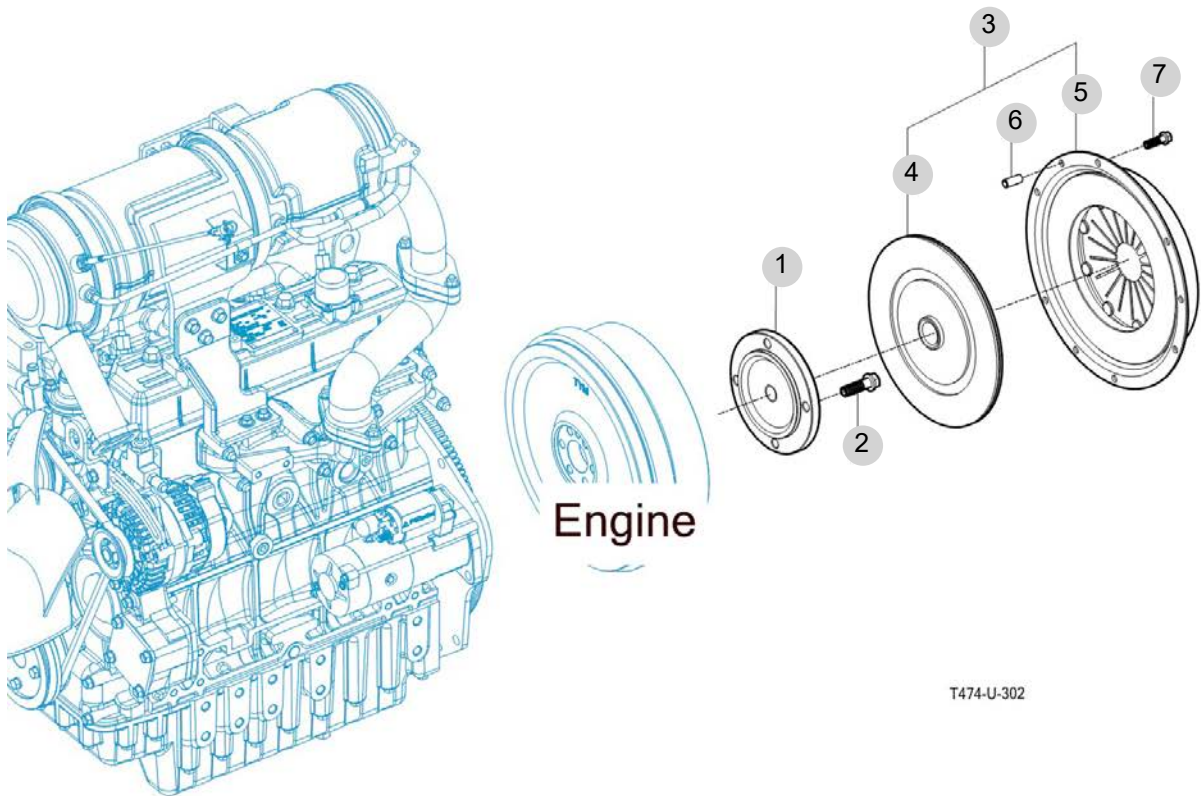
FIG 302

FLYWHEEL & CLUTCH

년/월  
Year/Month

T475NCEU

2022-12



T474-U-302

NOTE



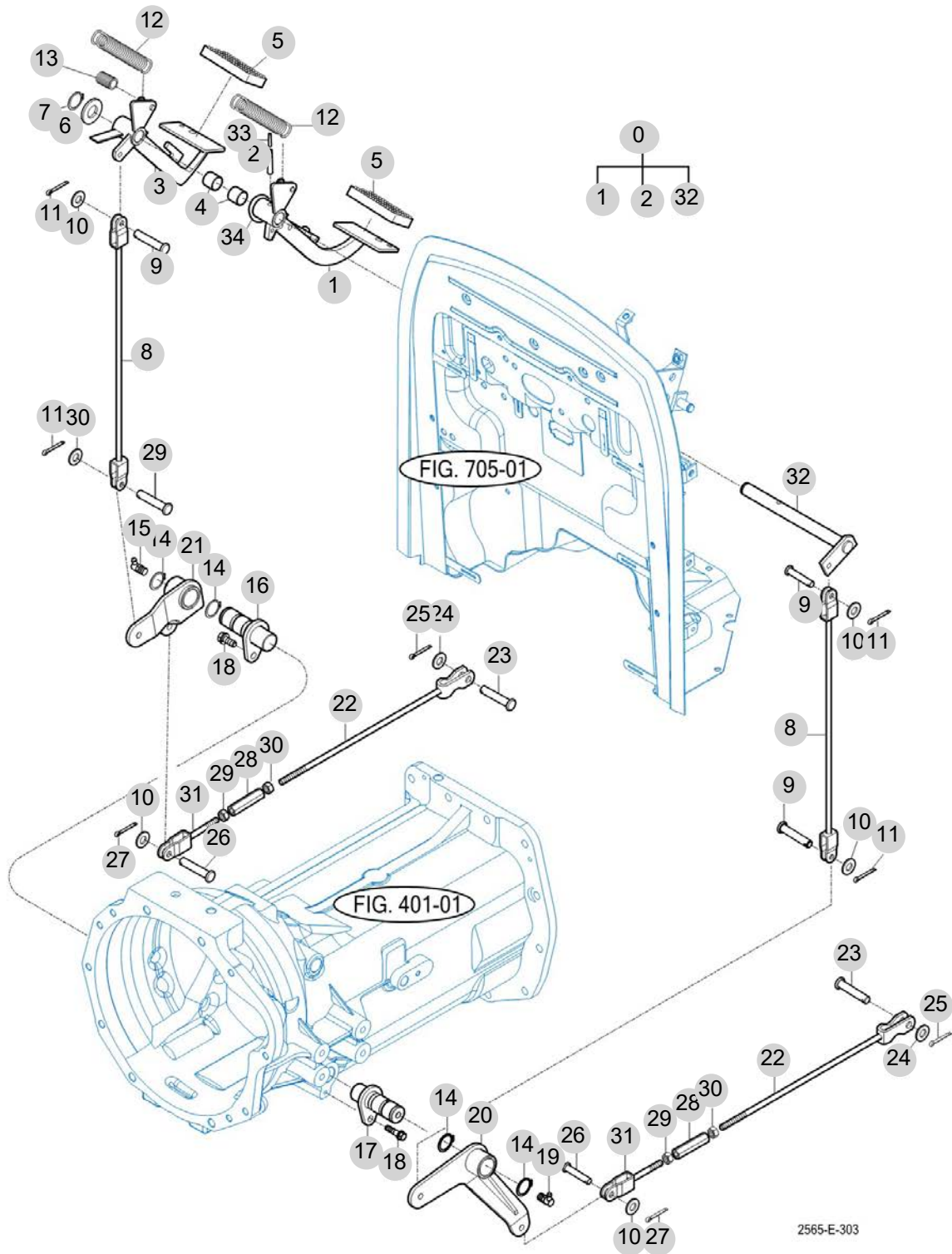
FIG 303

T475NCEU

BRAKE PEDAL

년/월  
Year/Month

2022-12



NOTE

FIG 303		BRAKE PEDAL					년/월 Year/Month	
							2022-12	
T475NCEU								

KEY NO		PART NO	DESCRIPTION	SPEC	QTY	REPAIR	EFFECTIVE DATE	REMARKS
303	0	16703292000GB	페달(LH)SET		1			
303	1	16703292201			1			
303	1	16703292202			1			
303	1	16703292203	페달(브레이크, LH)COMP		1			
303	2	V5801408036	스프링핀	8X36	1			
303	3	14573292303GB	페달(브레이크, RH)COMP		1			
303	4	35017030080	DU부시(20X23X20)		2			
303	5	15241220010	패드		2			
303	6	V4111600200	평와셔	M20	1			
303	7	V7041400200	C형멈춤링(축용)	20	1			
303	8	16703292501GB	로드(후크,504)COMP		2			
303	9	14322420010	핀		4			
303	10	V4111600080	평와셔	M8	6			
303	11	V5001925020	핀	2.5X20	4			
303	12	14041200080	클러치리턴스프링		2			
303	13	15601320011	튜브(콜게이트/015)		2			
303	14	V7041400250	C형멈춤링(축용)	25	4			
303	15	V7631500000	그리스니플(B-PT)	B-PT1/8	1			
303	16	12623283100	핀 COMP		1			
303	17	12623283100	핀 COMP		1			
303	18	V2173608020	소형육각볼트보통(S)	M8X20	2			
303	19	V7641500000	그리스니플(C-PT)	C-PT1/8	1			
303	20	12623283300GB	브레이크암(L)COMP		1			
303	21	12623283400GB	브레이크암(R)COMP		1			
303	22	16703282302	로드(후크,644)COMP		2			
303	23	14043120060	요오크핀 (A)		2			
303	24	V4111600100	평와셔	M10	2			
303	25	V5001930020	분할핀	3X20	2			
303	26	14043120060	요오크핀 (A)		2			
303	27	V5001920020	분할핀	2X20	2			
303	28	16601220020	터언버클(M8,60)		2			
303	29	V3043600080	소형육각너트보통2종	M8	2			
303	30	15601320073	육각너트(SM,LH,M8)		4			
303	31	14573282200	로드(후크,100) COMP		2			
303	32	14573292101	암(브레이크)COMP		1			
303	33	V5801405036	스프링핀		1			
303	34	V5901010150	철선		1			

**NOTE**

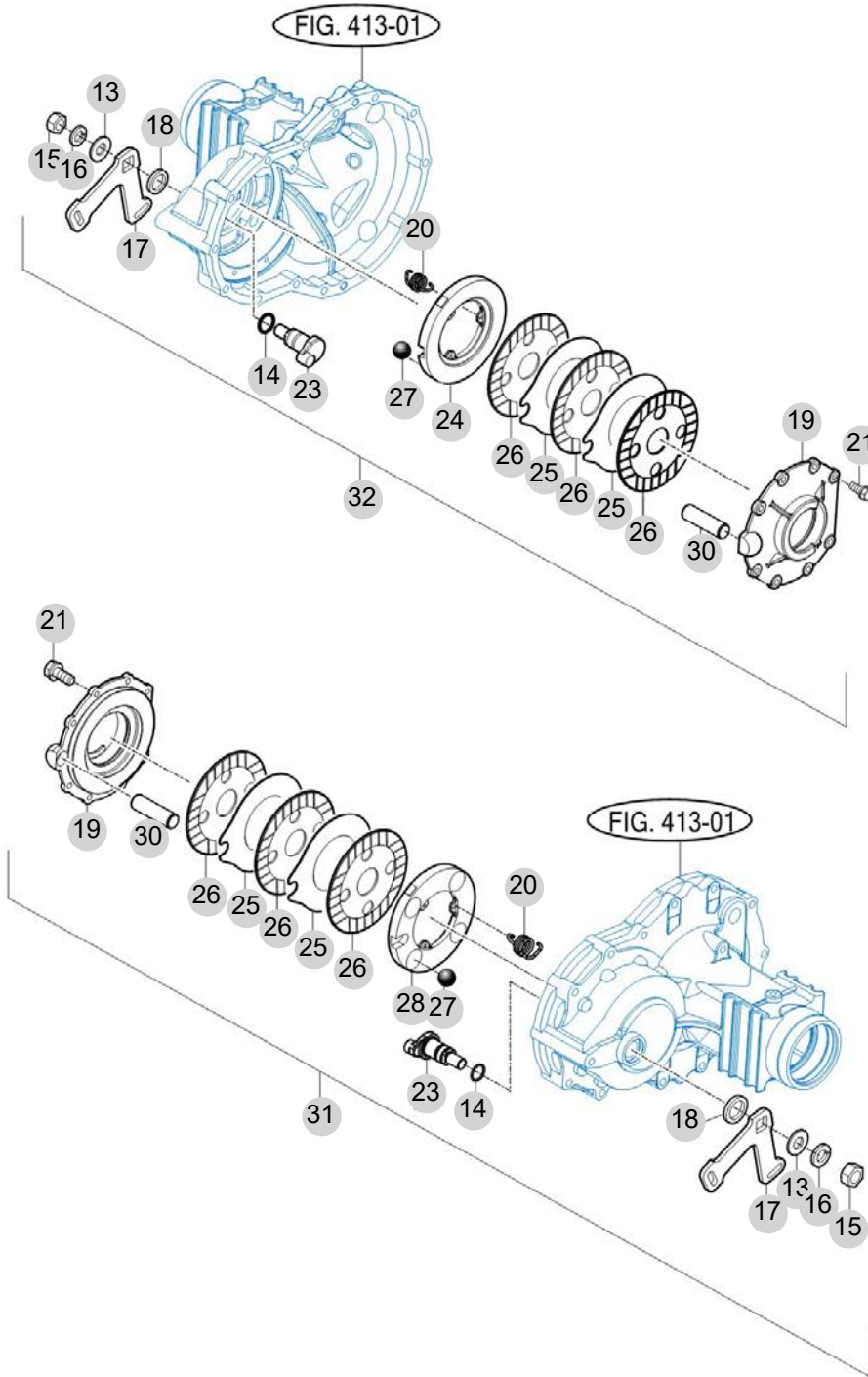
FIG 304

T475NCEU

BRAKE

년/월  
Year/Month

2022-12



NOTE





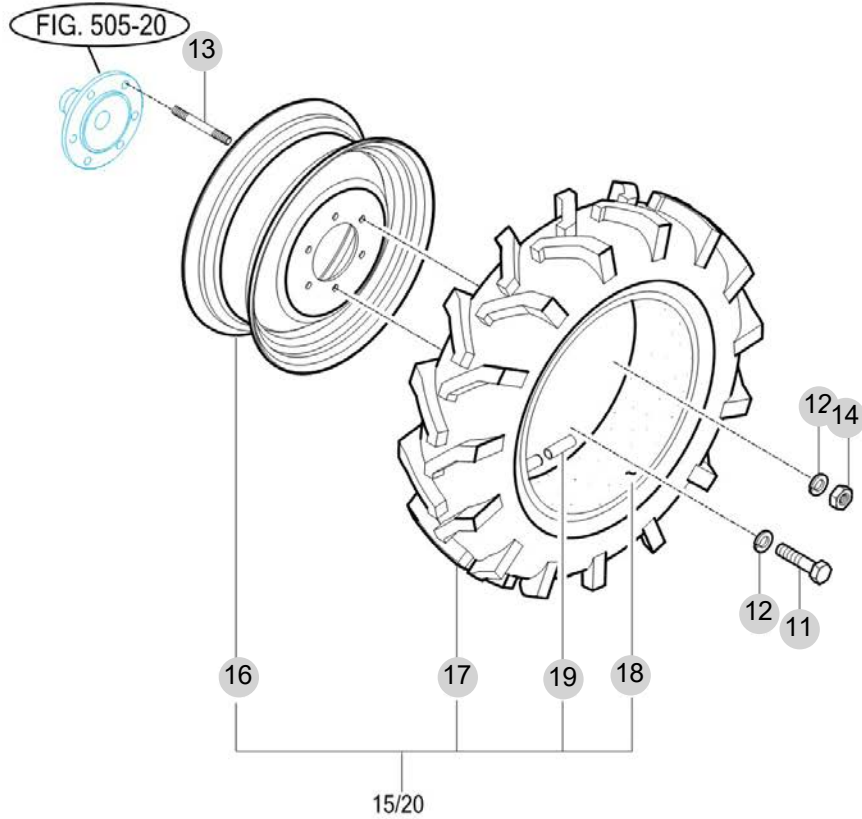
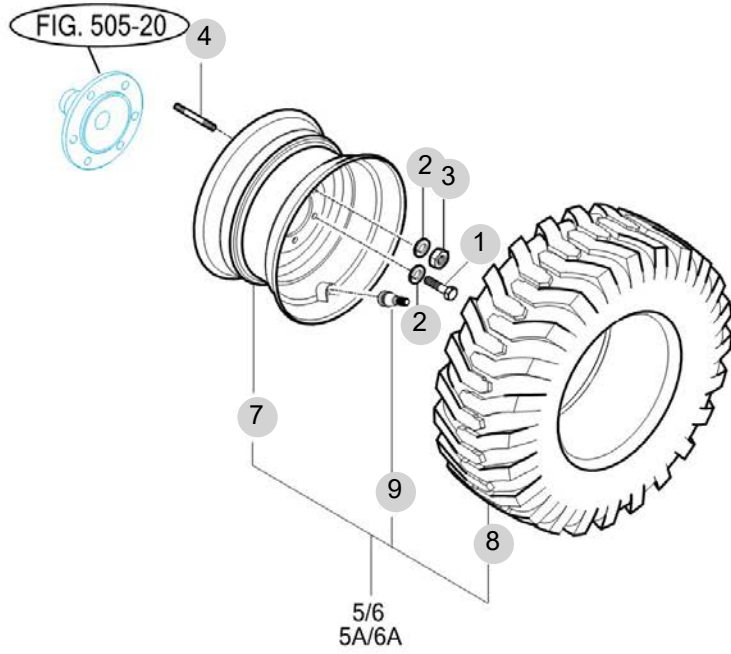
FIG 306

T475NCEU

FRONT WHEEL MOUNTING

년/월  
Year/Month

2022-12



T394-E-306

NOTE



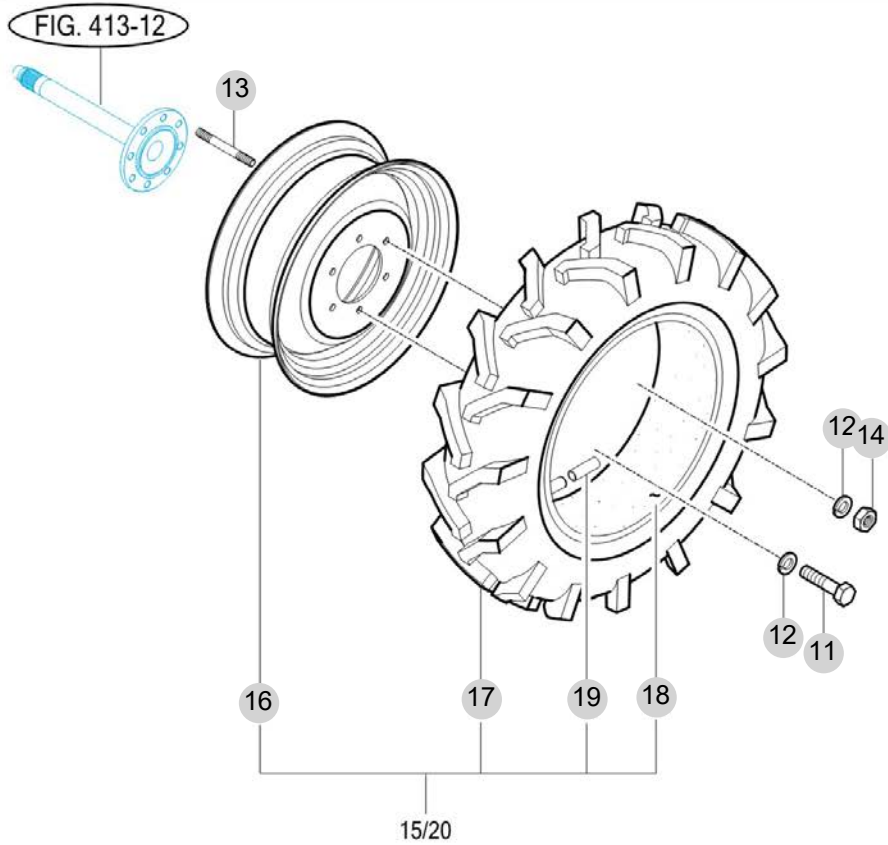
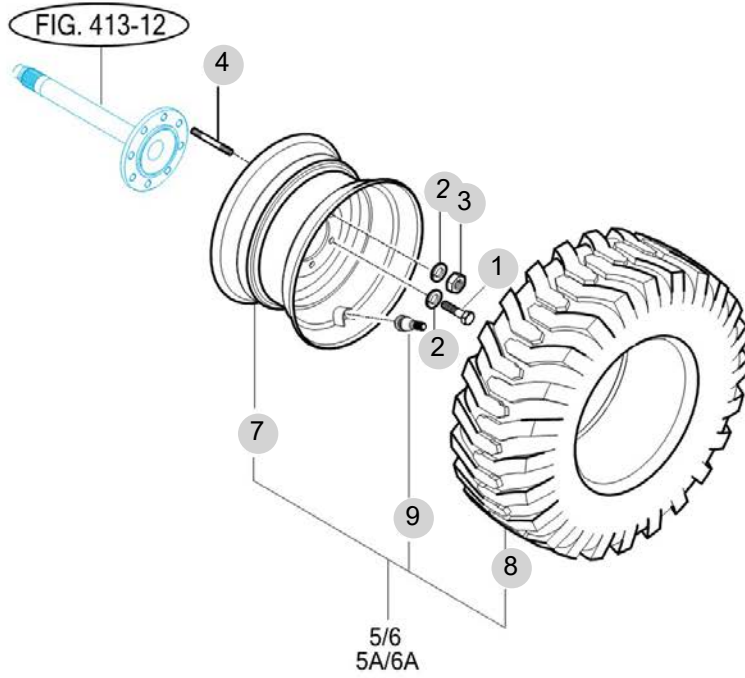
FIG 307

T475NCEU

REAR WHEEL MOUNTING

년/월  
Year/Month

2022-12



T394-E-307

NOTE



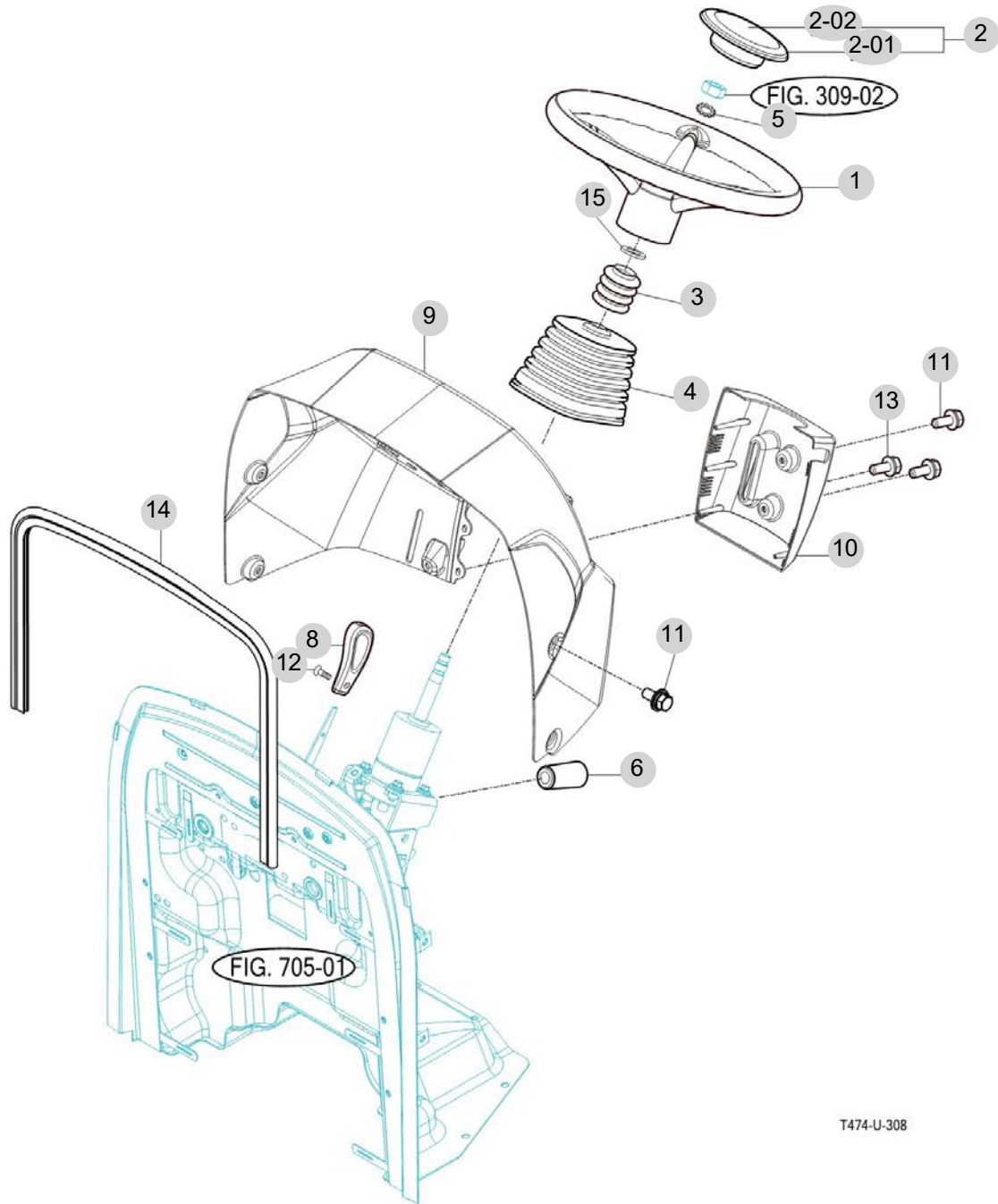
FIG 308

T475NCEU

STEERING WHEEL

년/월  
Year/Month

2022-12



T474-U-308

NOTE



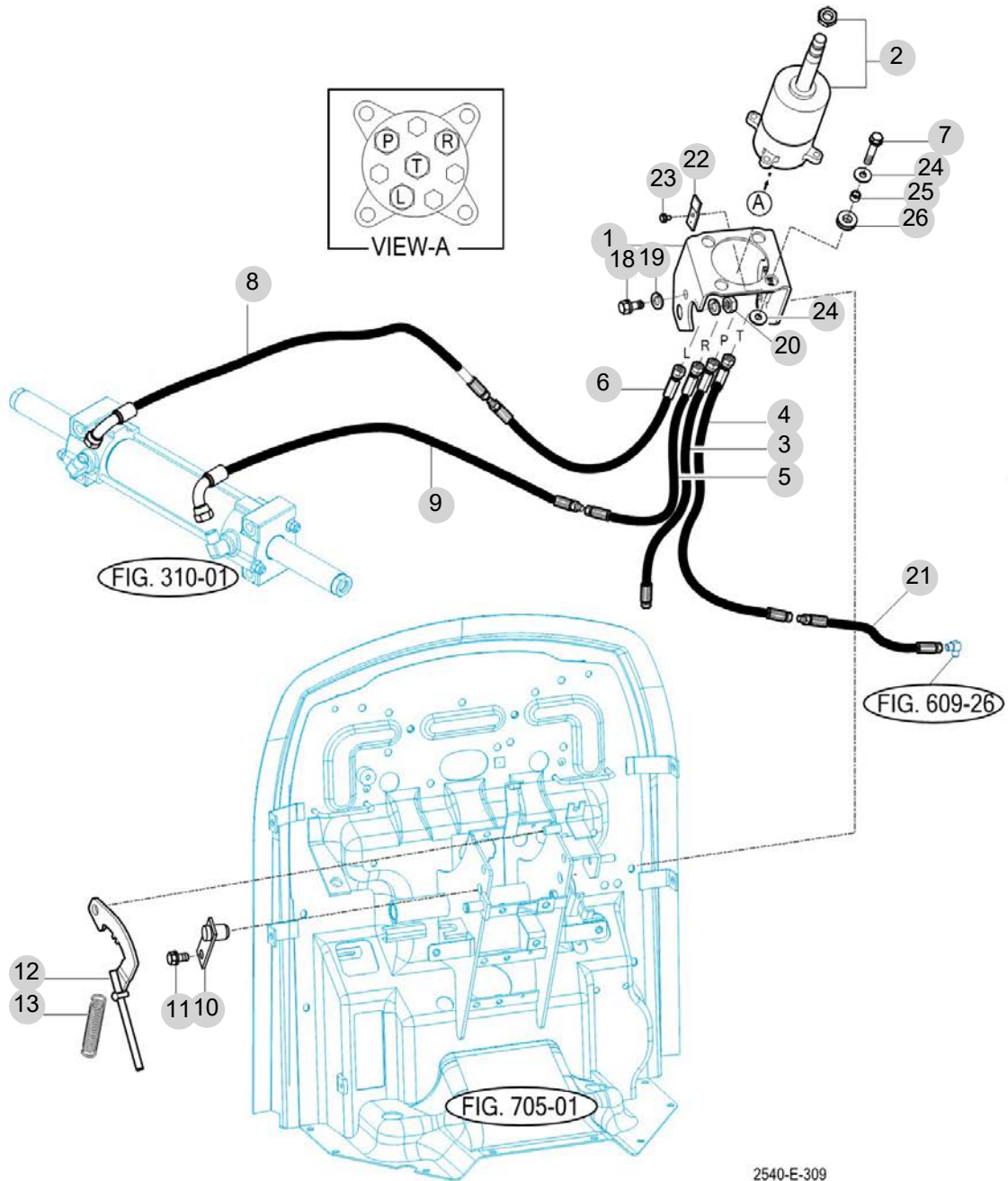
FIG 309

STEERING VALVE & PARKING

년/월  
Year/Month

T475NCEU

2022-12



NOTE



FIG 309		STEERING VALVE & PARKING						년/월	
								Year/Month	
T475NCEU								2022-12	
KEY NO	PART NO	DESCRIPTION	SPEC	QTY	REPAIR	EFFECTIVE DATE	REMARKS		
309	2	14524054002	스티어링밸브 유닛						
309	2	14524054003	스티어링밸브 유닛						
309	3	13834052100	유압호스(1020)ASSY						
309	4	16704052201	호스(1150) ASSY						
309	5	13834052100	유압 호스(1020)ASSY						
309	6	13834052300	유압 호스(1070)ASSY , 수						
309	7	V2173608025	소형육각볼트보통(S)	M8X25					
309	8	13804052802	유압 호스(580) ASSY , 암						
309	9	13804052702	유압 호스(550) ASSY , 수						
309	9	14664072801	유압 호스(650)ASSY						
309	10	12624042100GB	핀(16X21)COMP						
309	11	V2173608016	소형육각볼트보통(S)	M8X16					
309	12	14724042401GB	틸트레버 COMP						
309	13	16001200080	브레이크리턴스프링						
309	18	V2014612030	소형육각볼트(보통)	M12X30					
309	19	V4011600120	스프링와셔	M12					
309	20	V3043600120	소형육각너트보통2종	M12					
309	21	16704052701	유압 호스(400)ASSY						
309	22	14724040201	플레이트(가이드)						
309	23	V2113606010	육각볼트(S)	M6X10					
309	24	13731210010	와셔(9X22X2)						
309	25	12381040050	칼라(08X12X7.3)						
309	26	14046210300	그로맷						
NOTE									

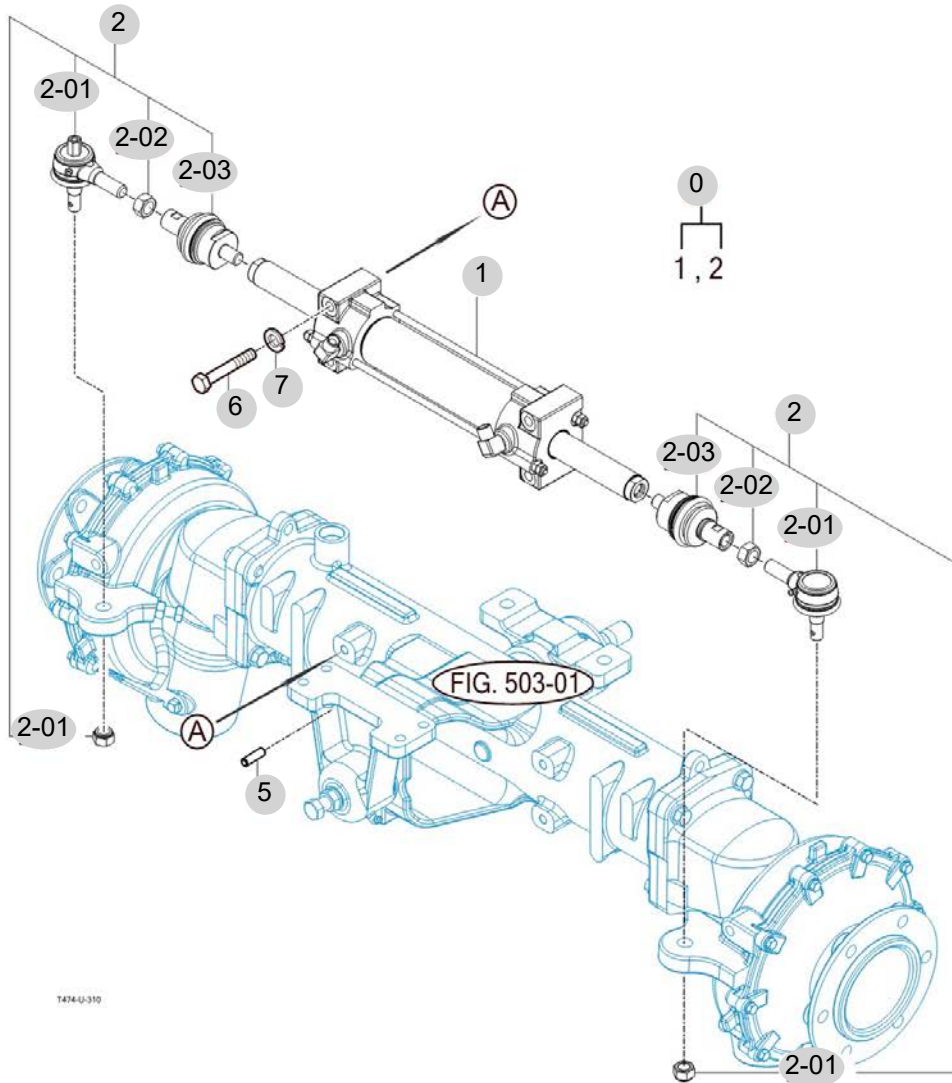
FIG 310

T475NCEU

STEERING CYLINDER

년/월  
Year/Month

2022-12



NOTE



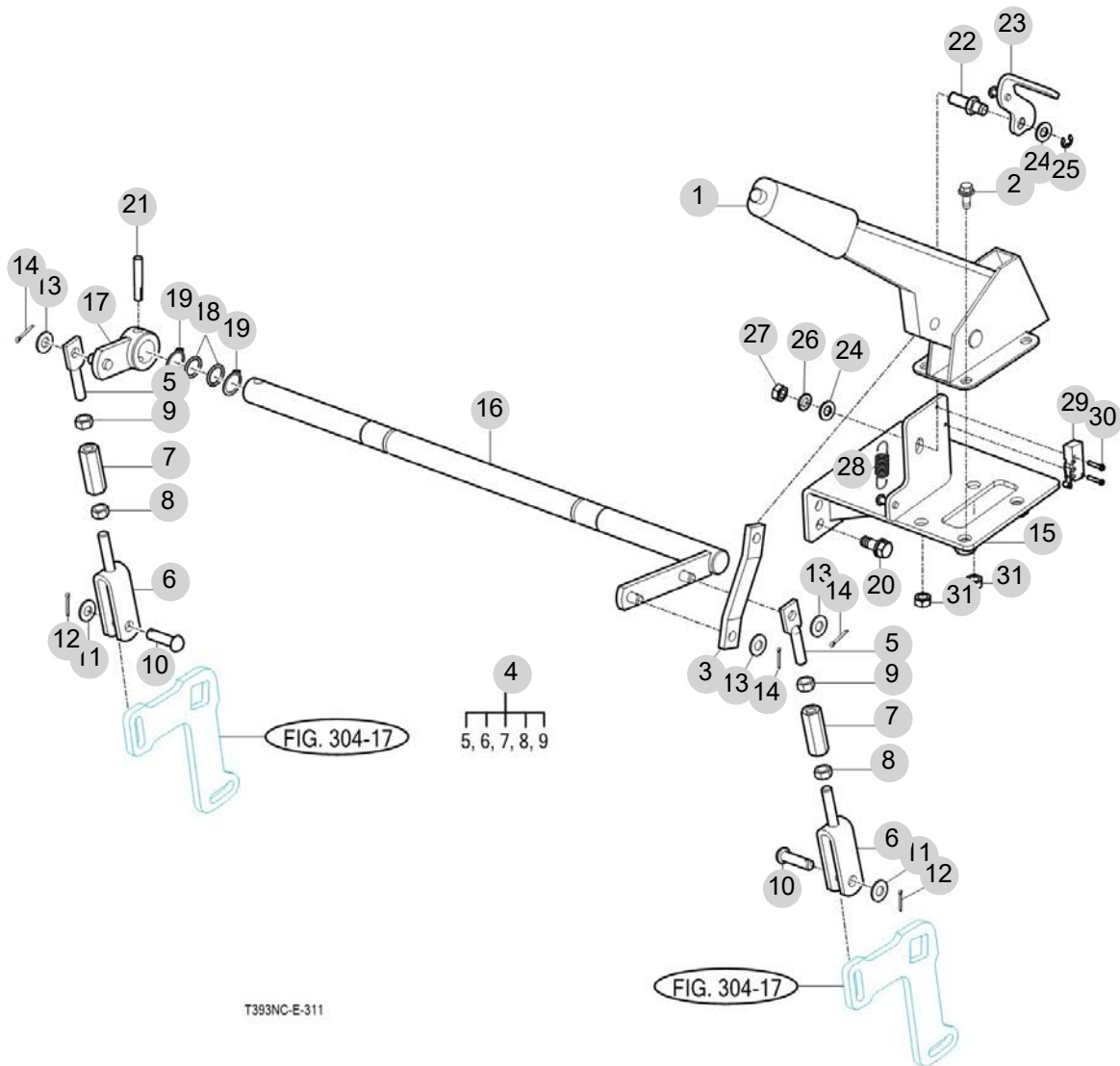
FIG 311

T475NCEU

HAND BRAKE LINKAGE

년/월  
Year/Month

2022-12



T393NC-E-311

NOTE



#### 4. 트랜스미션 PART NO. T4

FIG 401 TRANSMISSION FRONT CASE	131
FIG 402 INPUT METAL	133
FIG 403 INPUT GEAR	135
FIG 404 4WD DRIVE GEAR	137
FIG 405 MAIN CHANGE GEARS & REVERSE GEARS	139
FIG 406 SUB CHANGE GEARS	141
FIG 407 PINION GEARS	143
FIG 408 P.T.O DRIVE SHAFT	145
FIG 409 P.T.O CHANGE GEARS	147
FIG 410 DIFF LOCK	149
FIG 411 TRANSMISSION REAR CASE	151
FIG 412 REAR AXLE HOUSINGS (1)	153
FIG 413 REAR AXLE HOUSINGS (2)	155
FIG 414 MAIN CHANGE LEVER	157
FIG 415 SUB CHANGE LEVER	159
FIG 416 REVERSE LINK	161
FIG 417 REVERSE CHANGE LEVER	163
FIG 418 4WD CHANGE LEVER	165

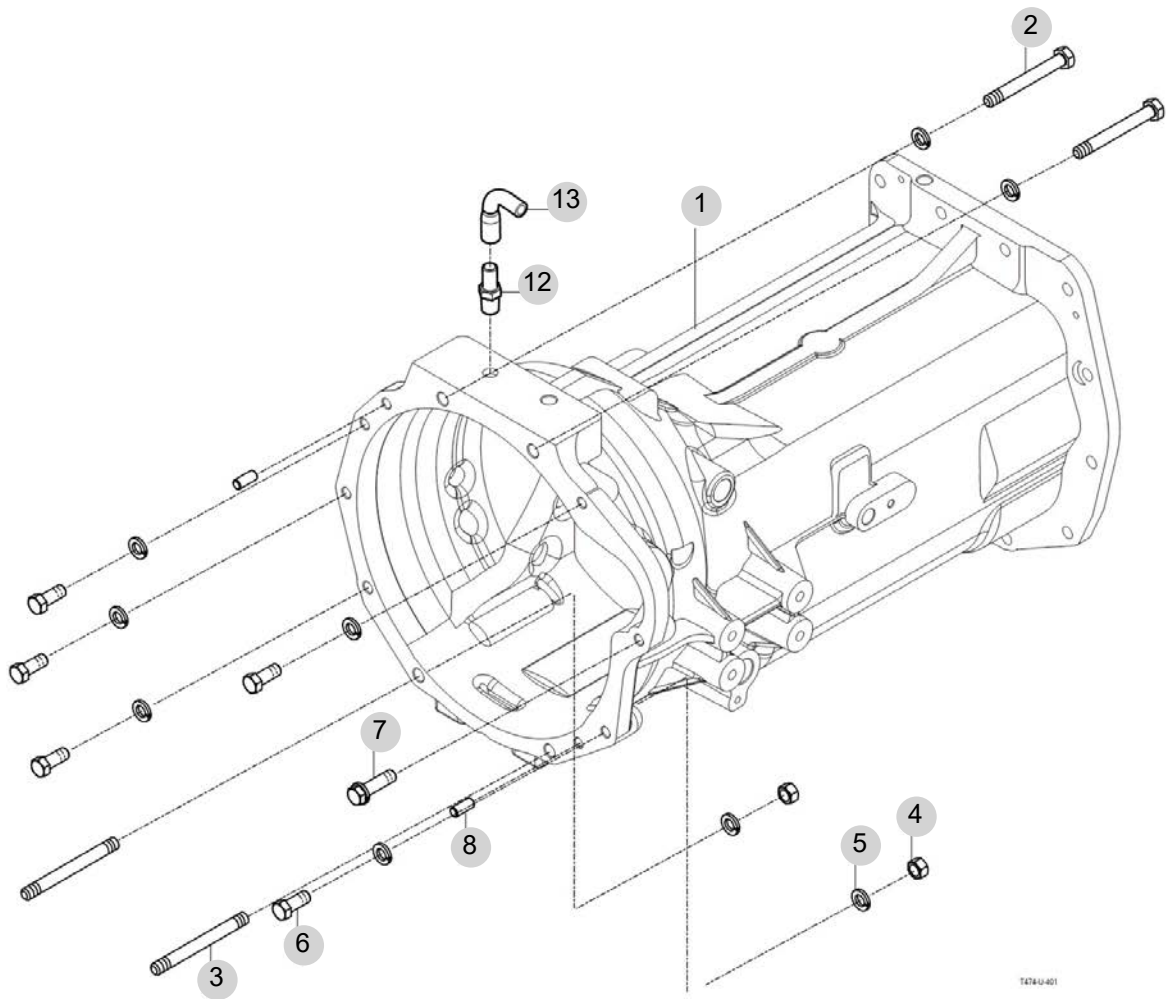
FIG 401

TRANSMISSION FRONT CASE

년/월  
Year/Month

2022-12

T475NCEU



T475NCEU

NOTE

FIG 401 T475NCEU	TRANSMISSION FRONT CASE	년/월 Year/Month
		2022-12

KEY NO		PART NO	DESCRIPTION	SPEC	QTY	REPAIR	EFFECTIVE DATE	REMARKS
401	1	13822100011M	프런트 트랜스 미션케이스		1			
401	2	V2004612100	육각볼트(보통)	M12X100	2			
401	3	13834121050	심음볼트, M12X105		2			
401	4	V3043600120	소형육각너트보통2종	M12	2			
401	5	V4011600120	스프링와셔	M12	9			
401	6	V2014612030	소형육각볼트(보통)	M12X30	5			
401	7	V2173612045	소형육각볼트보통(S)	M12X45	1			
401	8	V5201010022	평행핀(A)		2			
401	12	13012011110	커넥터(PT3/8)		1			
401	13	15134080020	오일호스		1			

NOTE



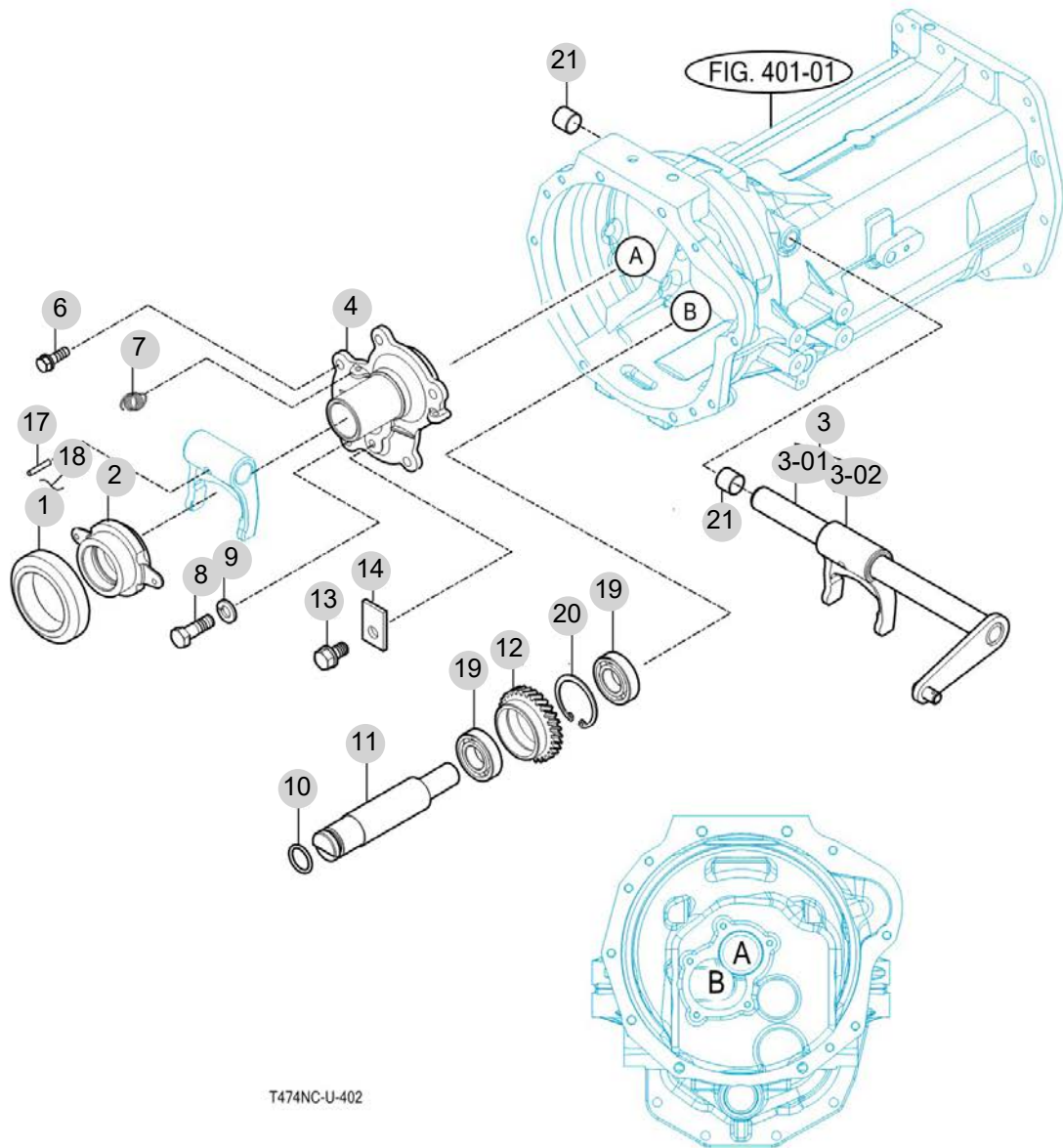
FIG 402

T475NCEU

INPUT METAL

년/월  
Year/Month

2022-12



NOTE



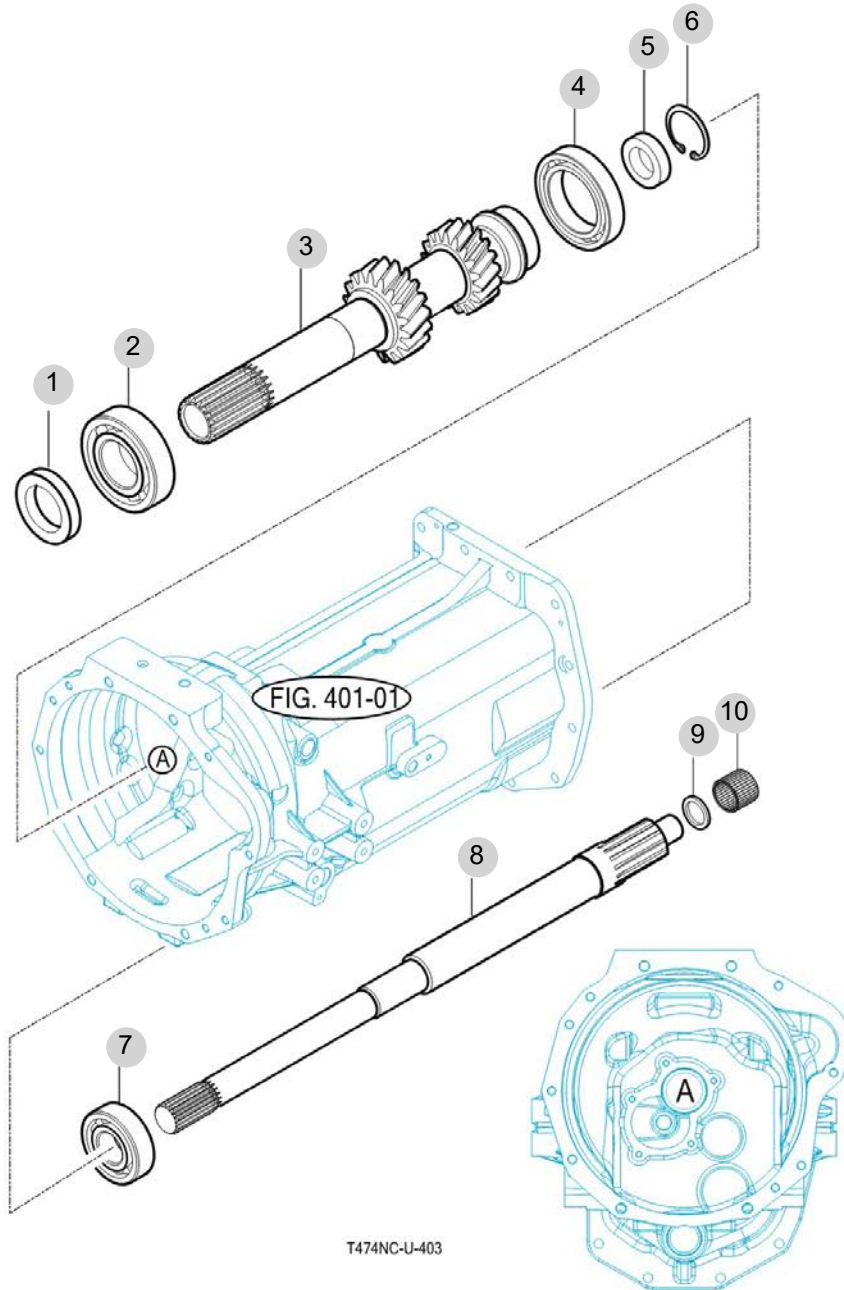
FIG 403

INPUT GEAR

년/월  
Year/Month

T475NCEU

2022-12



NOTE



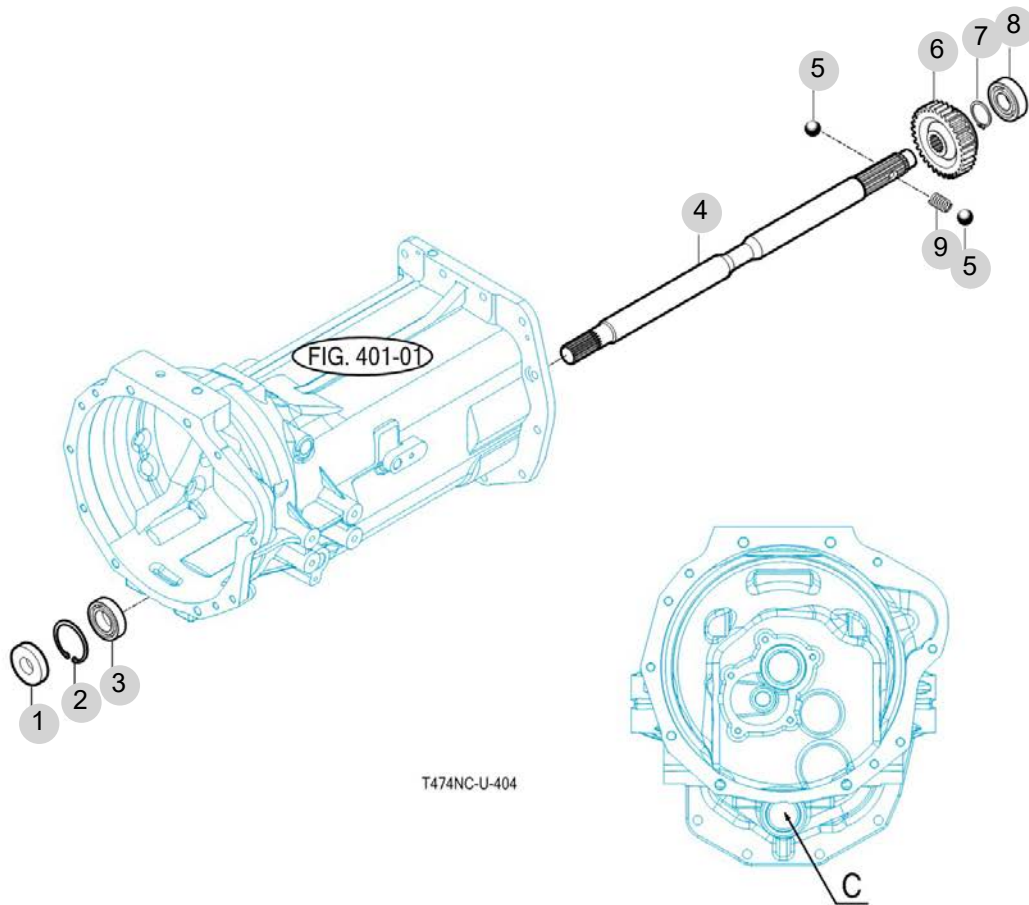
FIG 404

T475NCEU

4WD DRIVE GEAR

년/월  
Year/Month

2022-12



NOTE



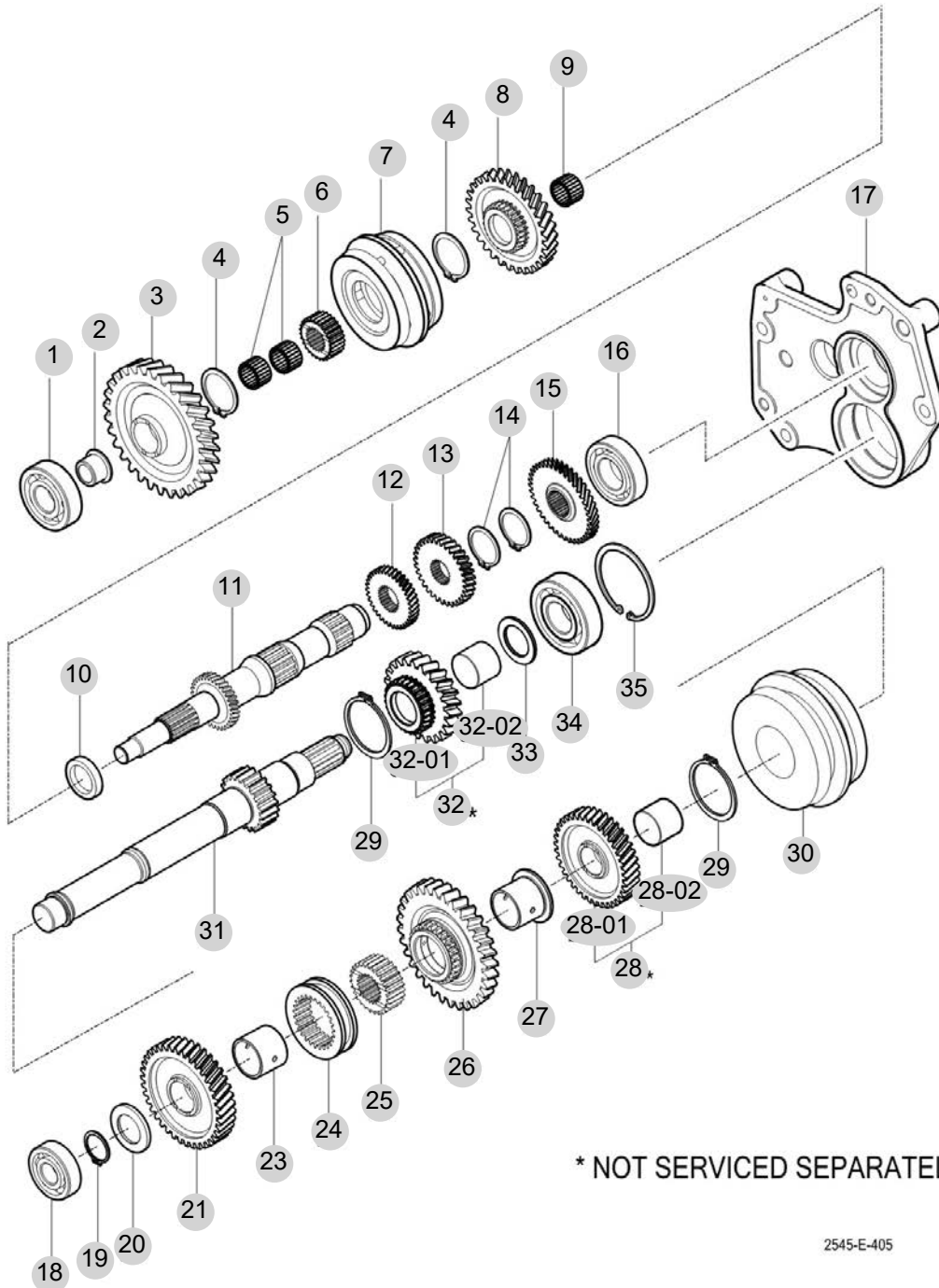
FIG 405

MAIN CHANGE GEARS & REVERSE GEARS

년/월  
Year/Month

T475NCEU

2022-12



\* NOT SERVICED SEPARATELY

2545-E-405

NOTE

FIG 405		MAIN CHANGE GEARS & REVERSE GEARS					년/월 Year/Month	
T475NCEU		2022-12						
KEY NO	PART NO	DESCRIPTION	SPEC	QTY	REPAIR	EFFECTIVE DATE	REMARKS	
405	1	V6041106305	볼베어링(HL1)	6305HL1	1			
405	2	16702142010	부시(17X25X19)		1			
405	3	16702131021	기어(헬리컬/42)		1			
405	4	V7041400400	C형멈춤링(축용)	Ø40	2			
405	5	V6544202612	니들베어링(케이지)	KT202612	2			
405	6	16702090021	허브(25X51X20)		1			
405	7	14482092100	싱크로나이져ASSY		1			
405	8	16702131032	기어(헬리컬/39)		1			
405	8	16702131033	기어(스퍼/41)		1			
405	9	V6544283313	니들베어링(케이지)	KT283313	1			
405	10	16702130031	와셔(27X39X08)		1			
405	11	16702110012	기어(헬리컬/17)		1			
405	11	16702110013	기어(헬리컬/17)		1			
405	12	14572220050	기어(헬리컬/21)		1			
405	13	14572220060	기어(헬리컬/24)		1			
405	14	V7041400350	C형멈춤링(축용)	Ø35	2			
405	15	14572220020	기어(헬리컬/29)		1			
405	16	V6041106206	볼베어링(HL1)	6206HL1	1			
405	17	16702200201M	베어링 메탈		1			
405	18	V6041106305	볼베어링(HL1)	6305HL1	1			
405	19	V7041400300	C형멈춤링(축용)	Ø30	1			
405	20	12632210020	와셔(30X46X05)		1			
405	21	12632211040	기어(헬리컬/40)		1			
405	23	14522090340	부시(30X35X28.7)		1			
405	24	15602080224	커플링(51X72X18)		1			
405	25	12412090020	허브(30X51X21)		1			
405	26	12632210070	기어(헬리컬/36)		1			
405	27	12632090340	부시(30X35X31.5)		1			
405	28	16702211500	기어조합(헬리컬/32)		1			
405	28-01	16702210150	기어(헬리컬/32)		1			
405	28-02	16702211910	부시(32X34X28)		1			
405	29	V7041400500	C형멈춤링(축용)	Ø50	2			
405	30	16492092001	싱크로나이져ASSY		1			
405	31	12632211010	주변속축		1			
405	32	16702211900	기어조합(헬리컬/28)		1			
405	32-01	16702211020	기어(헬리컬/28)		1			
405	32-02	16702211910	부시(32X34X28)		1			
405	33	15642160041	와셔(30X46X03)		1			
405	34	V6041106306	볼베어링(HL1)	6306HL1	1			
405	35	V7051400720	C형멈춤링(구멍용)	72	1			
NOTE								



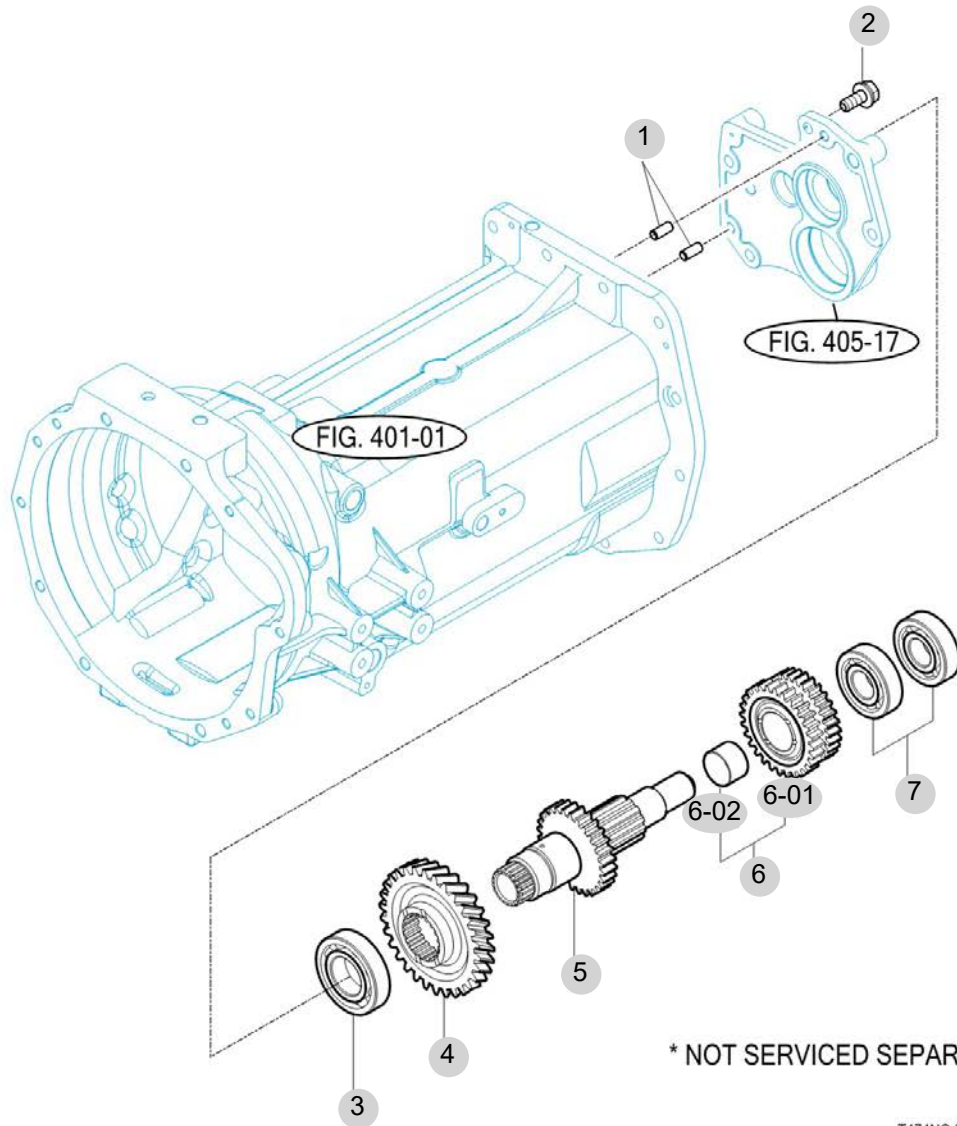
FIG 406

T475NCEU

SUB CHANGE GEARS

년/월  
Year/Month

2022-12



T474NC-U-406

NOTE



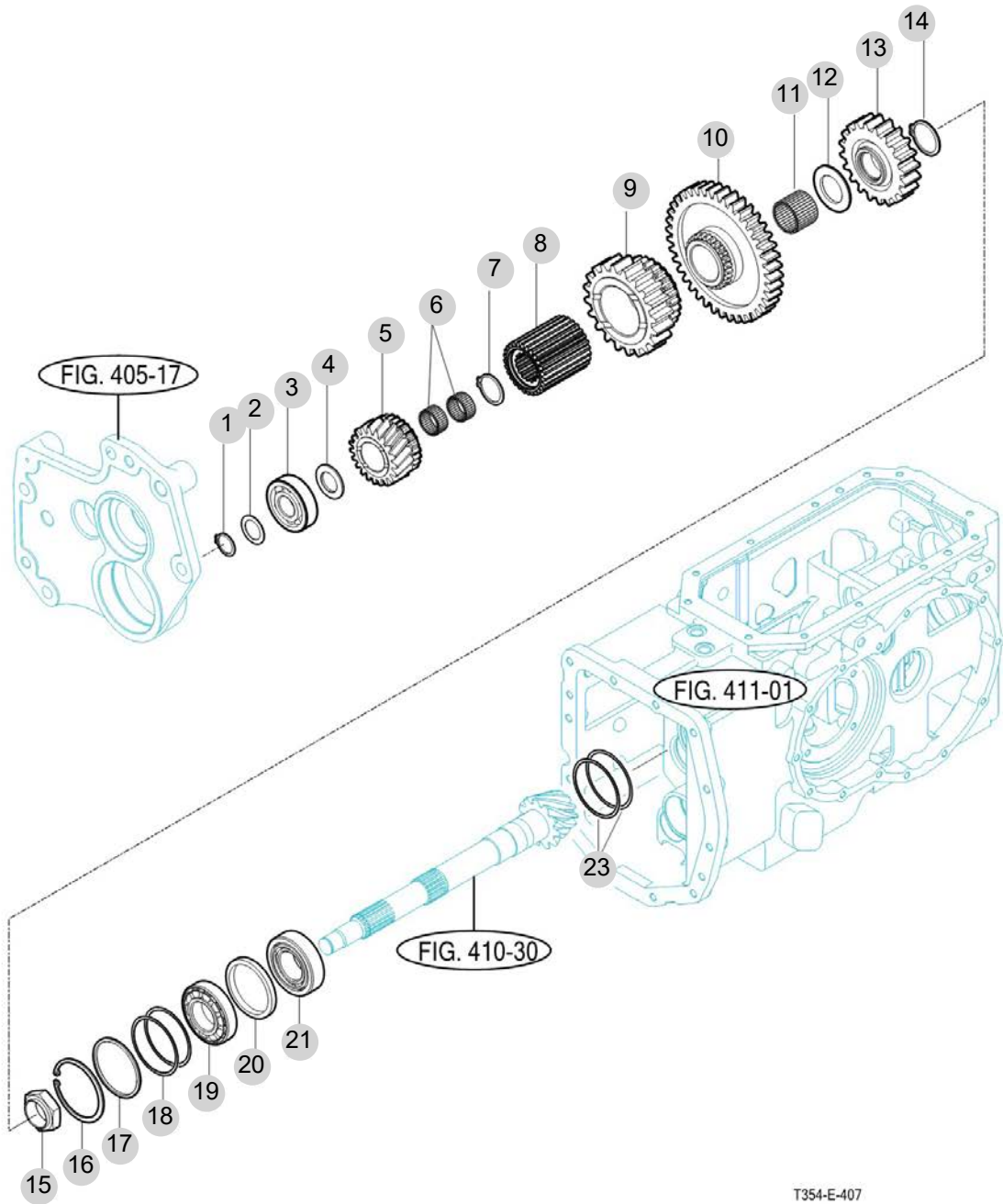
FIG 407

T475NCEU

PINION GEARS

년/월  
Year/Month

2022-12



T354-E-407

NOTE



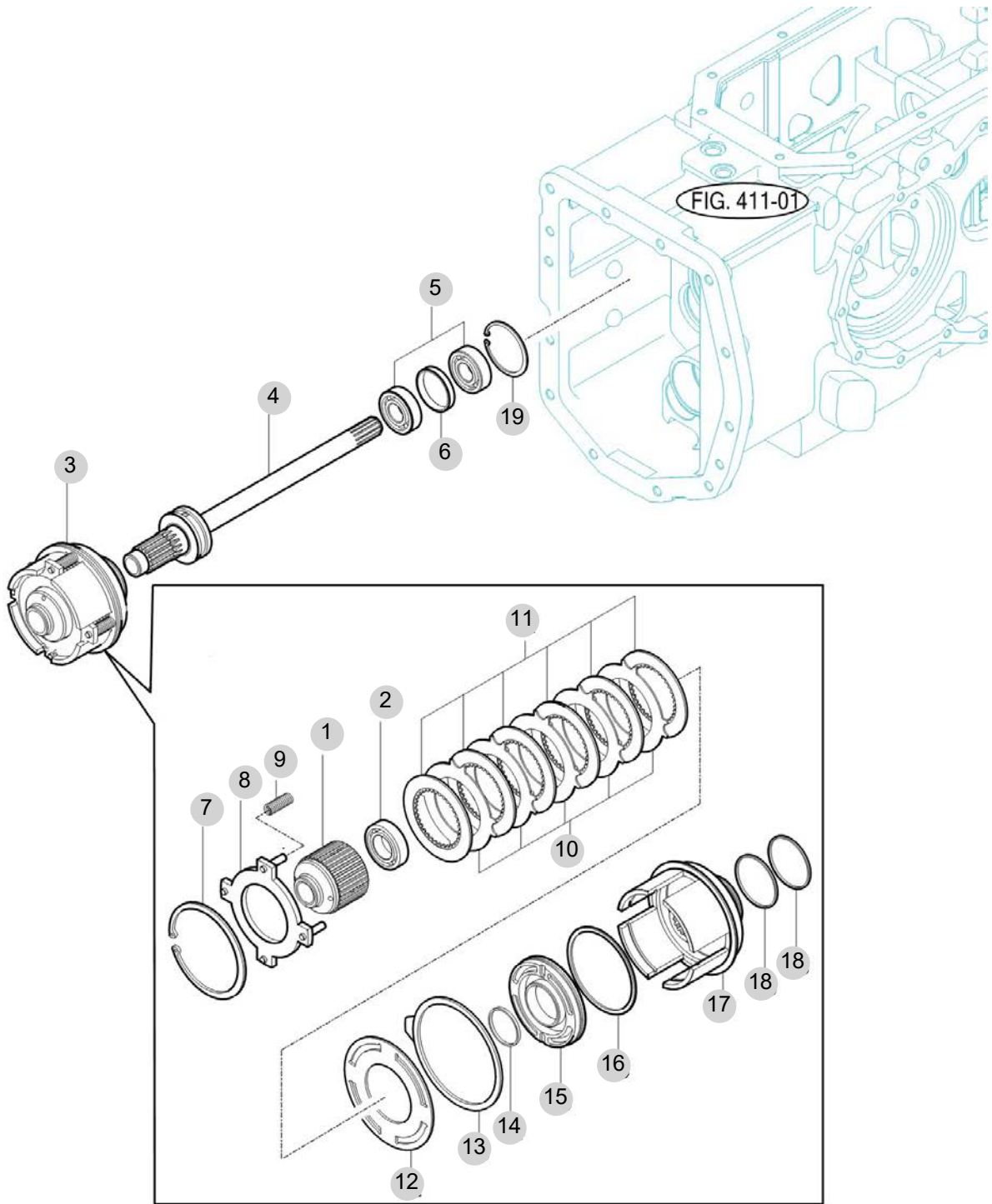
FIG 408

T475NCEU

P.T.O DRIVE SHAFT

년/월  
Year/Month

2022-12



T354-E-408

NOTE



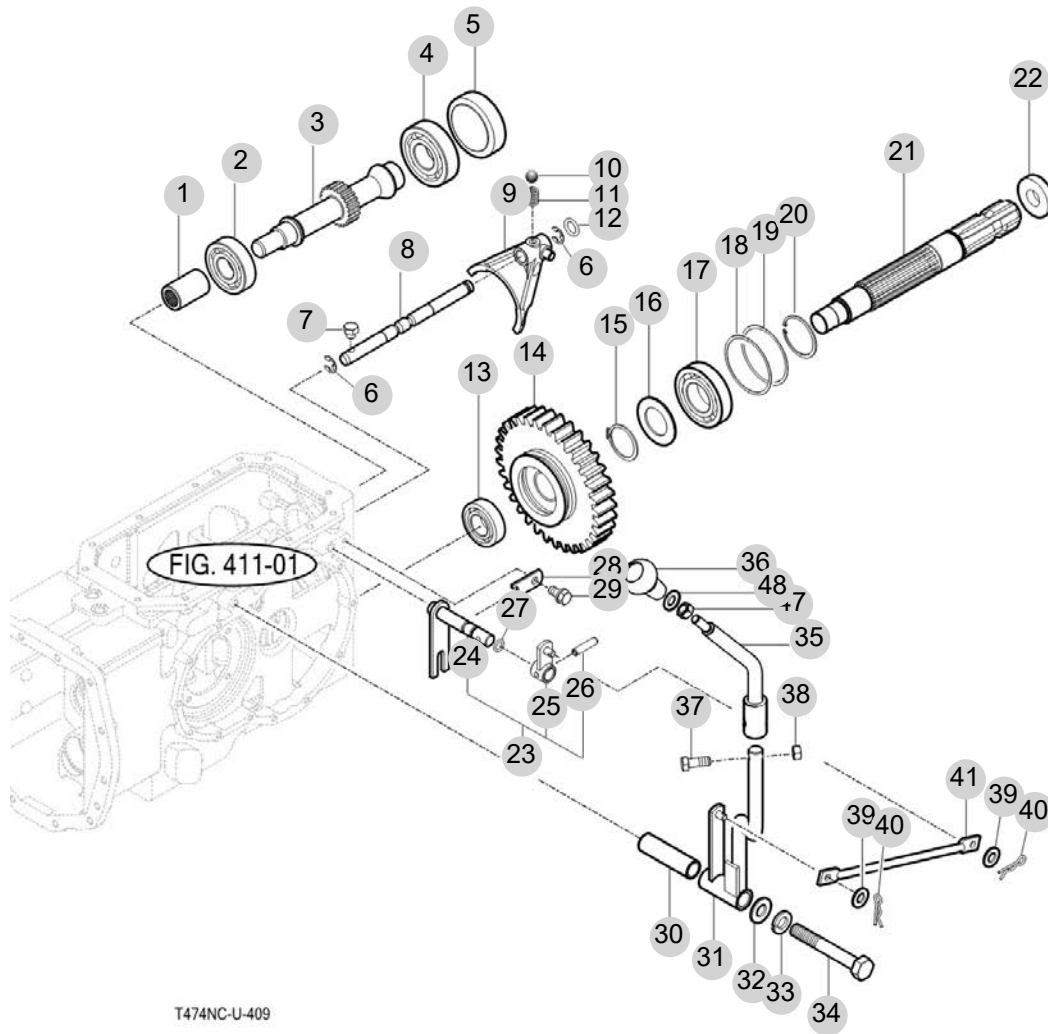
FIG 409

T475NCEU

P.T.O CHANGE GEARS

년/월  
Year/Month

2022-12



NOTE

FIG 409		P.T.O CHANGE GEARS					년/월 Year/Month		
							2022-12		
T475NCEU		KEY NO	PART NO	DESCRIPTION	SPEC	QTY	REPAIR	EFFECTIVE DATE	REMARKS
409	1	14211340190	커플링			1			
409	2	V6041106305	볼베어링(HL1)	6305HL1		1			
409	3	13212543530	기어 , 스퍼 PTO 11			1			
409	4	V6041106306	볼베어링(HL1)	6306HL1		1			
409	5	14254330180	캠(72)			1			
409	6	V7081400100	E형멈춤링	Ø10		2			
409	7	15602231610	볼트(셋트/M8X16)			1			
409	8	13212540020	PTO 시프트스테이			1			
409	9	16702540011M	포크(PTO)			1			
409	10	V6802000010	강구	5/16		1			
409	11	13022250030	시프터스프링			1			
409	12	V7201024010	O링(P)	P10		1			
409	13	V6041106205	볼베어링(HL1)	6205HL1		1			
409	14	13212543500	기어(스퍼/PTO 54)			1			
409	15	V7041400350	C형멈춤링(축용)	Ø35		1			
409	16	14443140041	칼라(35X50X2)			1			
409	17	V6001106207	볼베어링	6207		1			
409	18	79642010080	심(B)			2			
409	19	16322730030	심(0.5)			1			
409	20	V7051400720	C형멈춤링(구멍용)	Ø72		1			
409	21	16703140011	PTO축			1			
409	22	16322732000	씰(오일) ASSY			1			
409	23	16702555102	리어 PTO 후크 SET			1			
409	24	16702542102	리어 PTO 후크 COMP			1			
409	25	16702432201	암(부변속) COMP			1			
409	26	V5801406025	스프링핀	6X25		1			
409	27	V7201024012	O링(P)	P12		1			
409	28	16702230371	플레이트			1			
409	29	V2173608016	소형육각볼트보통(S)	M8X16		1			
409	30	16702440070	허브(13X17X61)			1			
409	31	16702552103	PTO 레버 ,하 COMP			1			
409	32	V4111600120	평와셔	M12		1			
409	33	V4011600120	스프링와셔	M12		1			
409	34	V2013612085	소형육각볼트(보통)	M12X85		1			
409	35	13832552200GB	레버 COMP , PTO/상			1			
409	36	16992190102	그립(PTO)			1			
409	36	19682190100	그립(PTO)			1			
409	37	V2013608035	소형육각볼트(보통)			1			
409	38	V3042600080	소형육각너트보통2종	M8		1			
409	39	V4111600080	평와셔	M8		2			
409	40	V5601600008	스냅핀	8		2			
409	41	16702553100	로드(236)			1			
409	47	19027010010	소형육각너트가는2종	M10		1			
409	48	V4111600100	평와셔	M10		1			
NOTE									



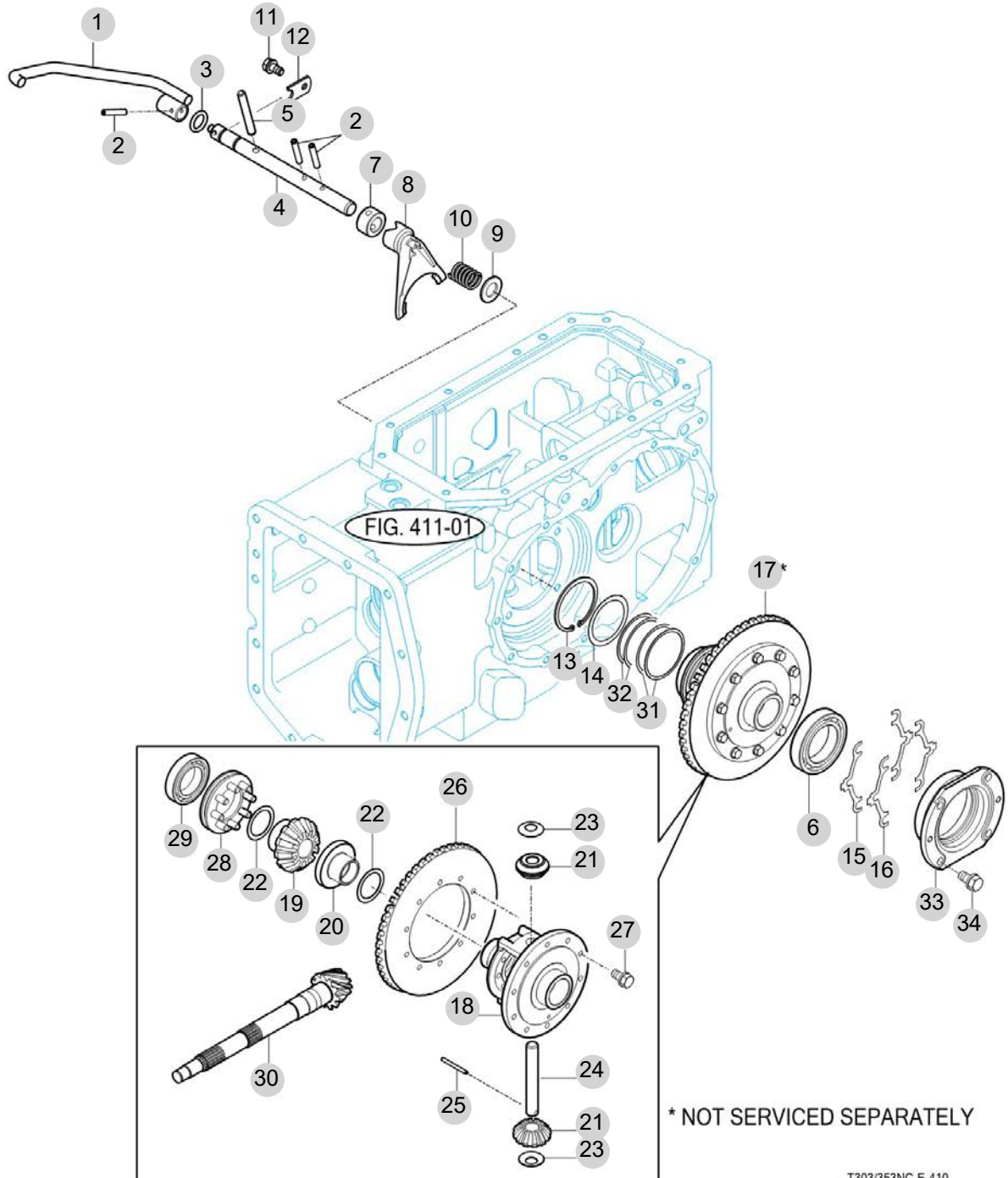
FIG 410

T475NCEU

DIFF LOCK

년/월  
Year/Month

2022-12



\* NOT SERVICED SEPARATELY

T303/353NC-E-410

NOTE

FIG 410 T475NCEU	DIFF LOCK	년/월 Year/Month
		2022-12

KEY NO	PART NO	DESCRIPTION	SPEC	QTY	REPAIR	EFFECTIVE DATE	REMARKS
410	1	16703192205	디프록페달 COMP		1		
410	2	V5801406032	스프링핀	6X32	3		
410	3	V7201024016	O링(P)	P16	1		
410	4	13003180150	디프록축		1		
410	4	13003180151	디프록축		1		
410	4	13003180152	디프록축		1		
410	5	V5801408060	스프링핀	8X60	1		
410	6	V6041106011	볼베어링(HL)	6011HL1	1		
410	7	16703180161	허브 디프록		1		
410	8	16703180022M	포크(디프록)		1		
410	9	V4111600200	평와셔	M20	1		
410	10	17973030420	스프링		1		
410	11	V2173608016	소형육각볼트보통(S)	M8X16	1		
410	12	16703180191	플레이트		1		
410	13	V7051400750	C형멈춤링(구멍용)	Ø75	1		
410	14	16703180511	심(O/0.5)		1		
410	15	16703180080	심(LH/0.2)		6		
410	16	16703180090	심(LH/0.1)		2		
410	17	12633000002	리어 차동 장치 ASSY		1		
410	18	13003180013M	디프케이스		1		
410	19	13003180060	베벨기어(18)(RH)		1		
410	20	13003180031	베벨기어(18)(LH)		1		
410	21	13003180040	디프피니언(10)		2		
410	22	16703180521	스ラスト와셔		2		
410	23	13003180200	피니언스ラスト와셔		2		
410	24	13003180070	디프피니언축		1		
410	25	V5801405036	스프링핀	5X36	1		
410	26	16703002020	기어베벨(52T)		1		
410	27	V2173608020	소형육각볼트보통(S)	M8X20	10		
410	28	13003181202	디프록 클러치 COMP		1		
410	29	V6041106009	볼베어링(HL1)	6009HL1	1		
410	30	16703002012	드라이브피니언(9T)		1		
410	31	16703180181	심(RH/0.1)		2		
410	32	16703180171	심(RH/0.2)		2		
410	33	16703180052M	디프케이스메탈(R)		1		
410	34	V2173610025	소형육각볼트보통(S)	M10X25	4		

NOTE	
------	--

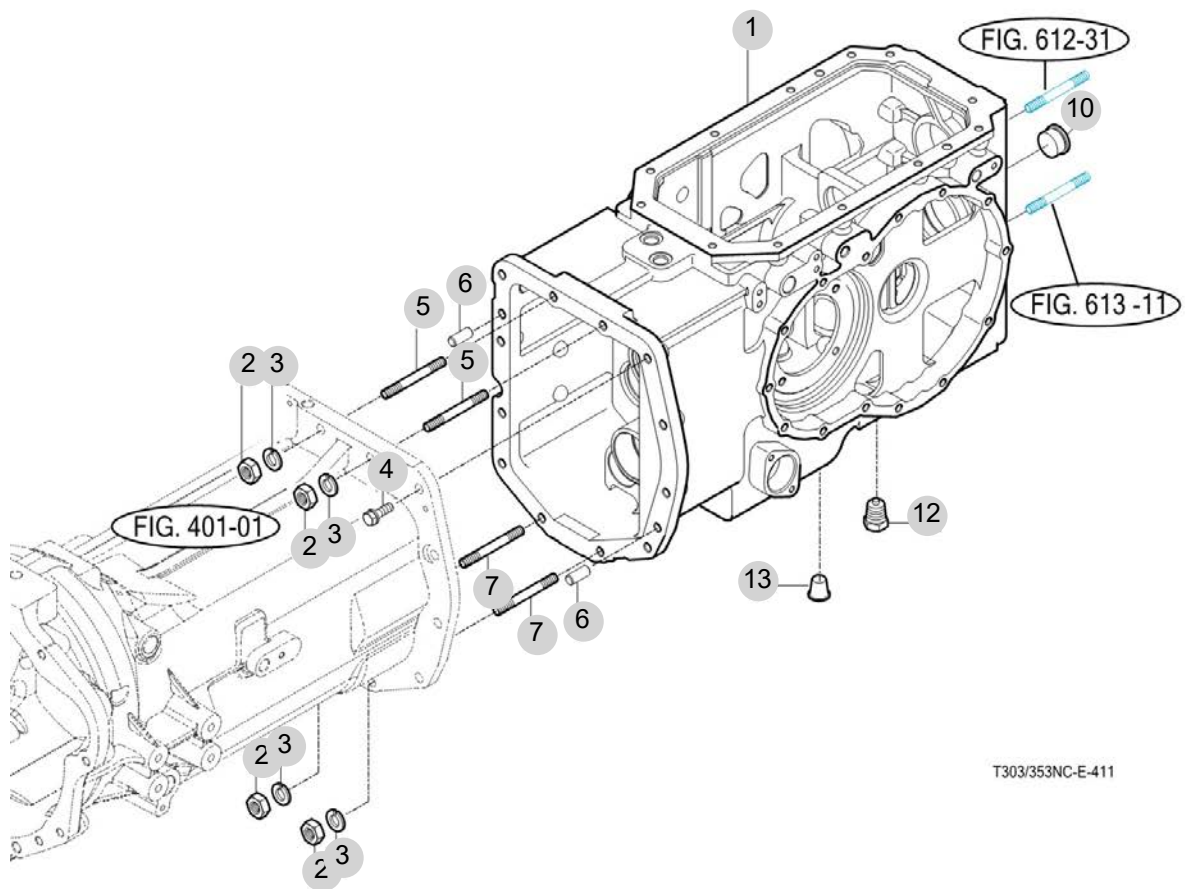
FIG 411

T475NCEU

TRANSMISSION REAR CASE

년/월  
Year/Month

2022-12



T303/353NC-E-411

NOTE



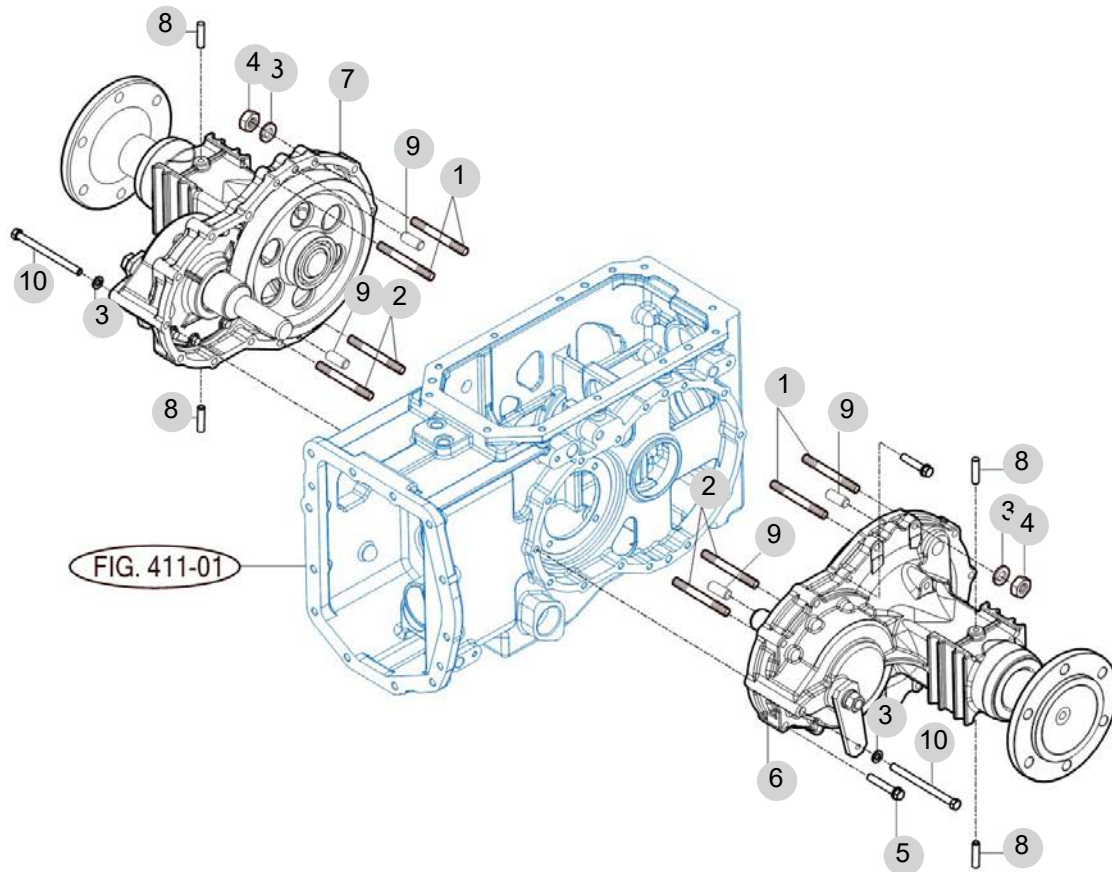
FIG 412

T475NCEU

REAR AXLE HOUSINGS (1)

년/월  
Year/Month

2022-12



NOTE



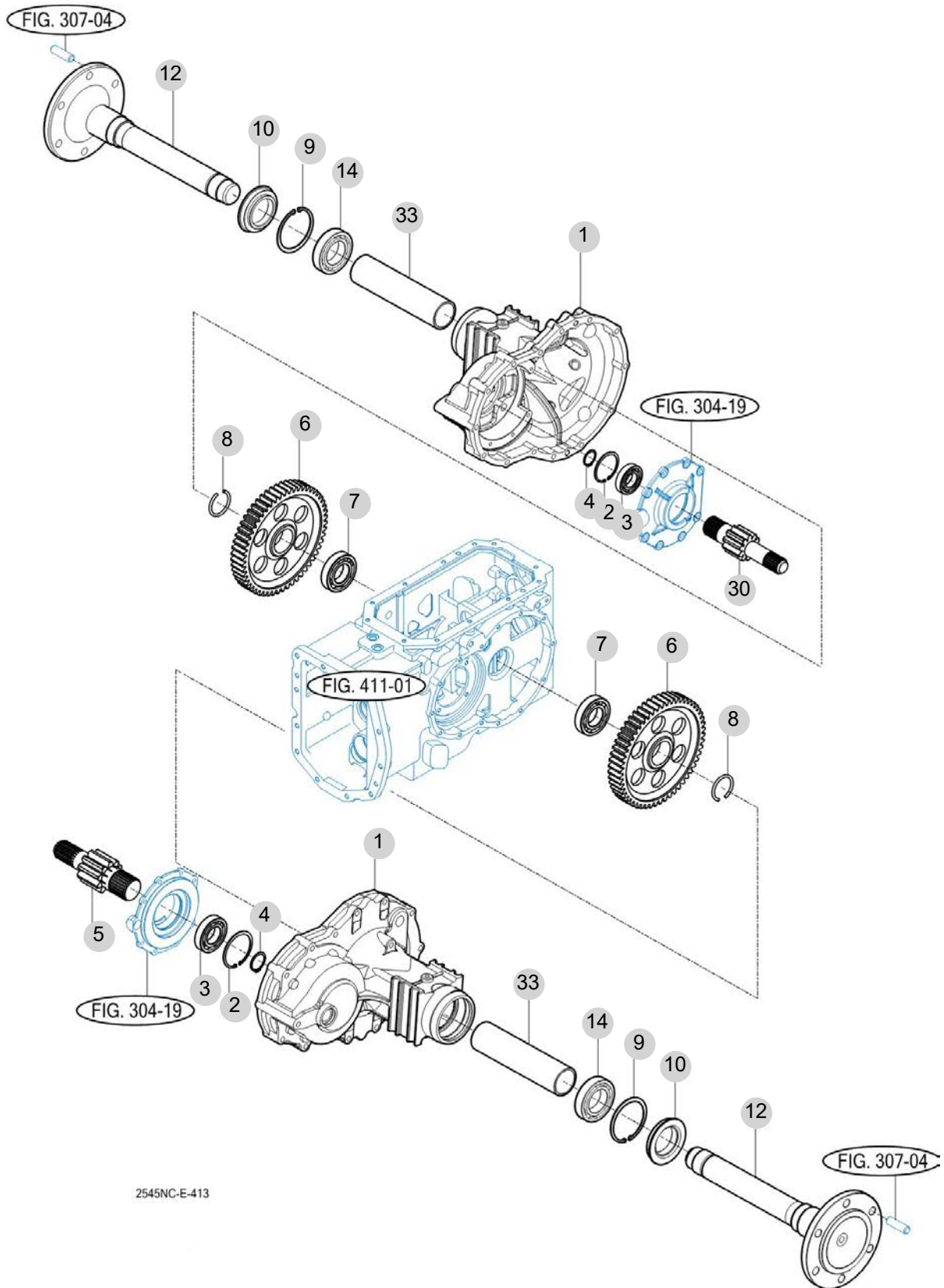
FIG 413

T475NCEU

REAR AXLE HOUSINGS (2)

년/월  
Year/Month

2022-12



2545NC-E-413

NOTE





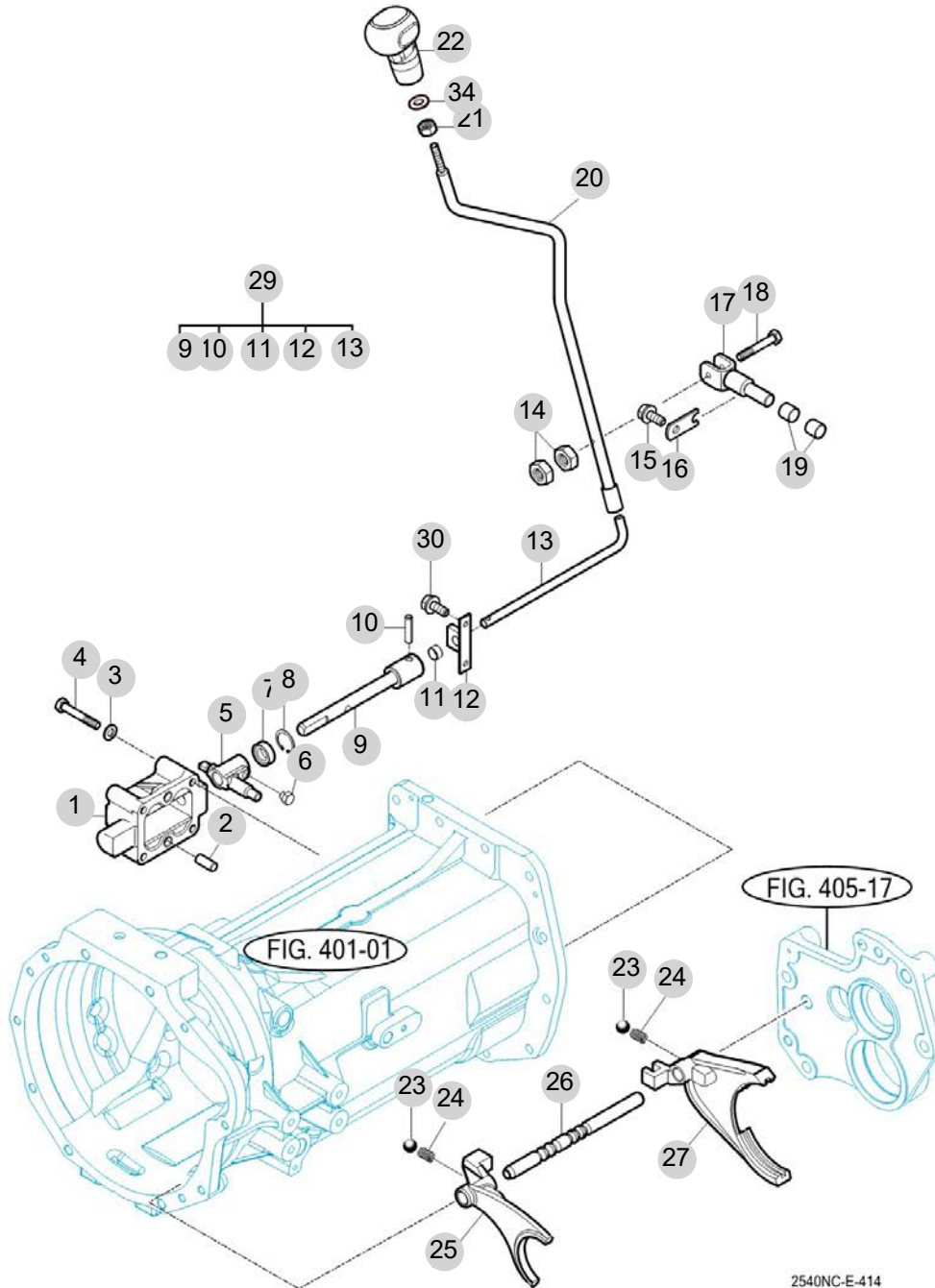
FIG 414

MAIN CHANGE LEVER

년/월  
Year/Month

T475NCEU

2022-12



2540NC-E-414

NOTE



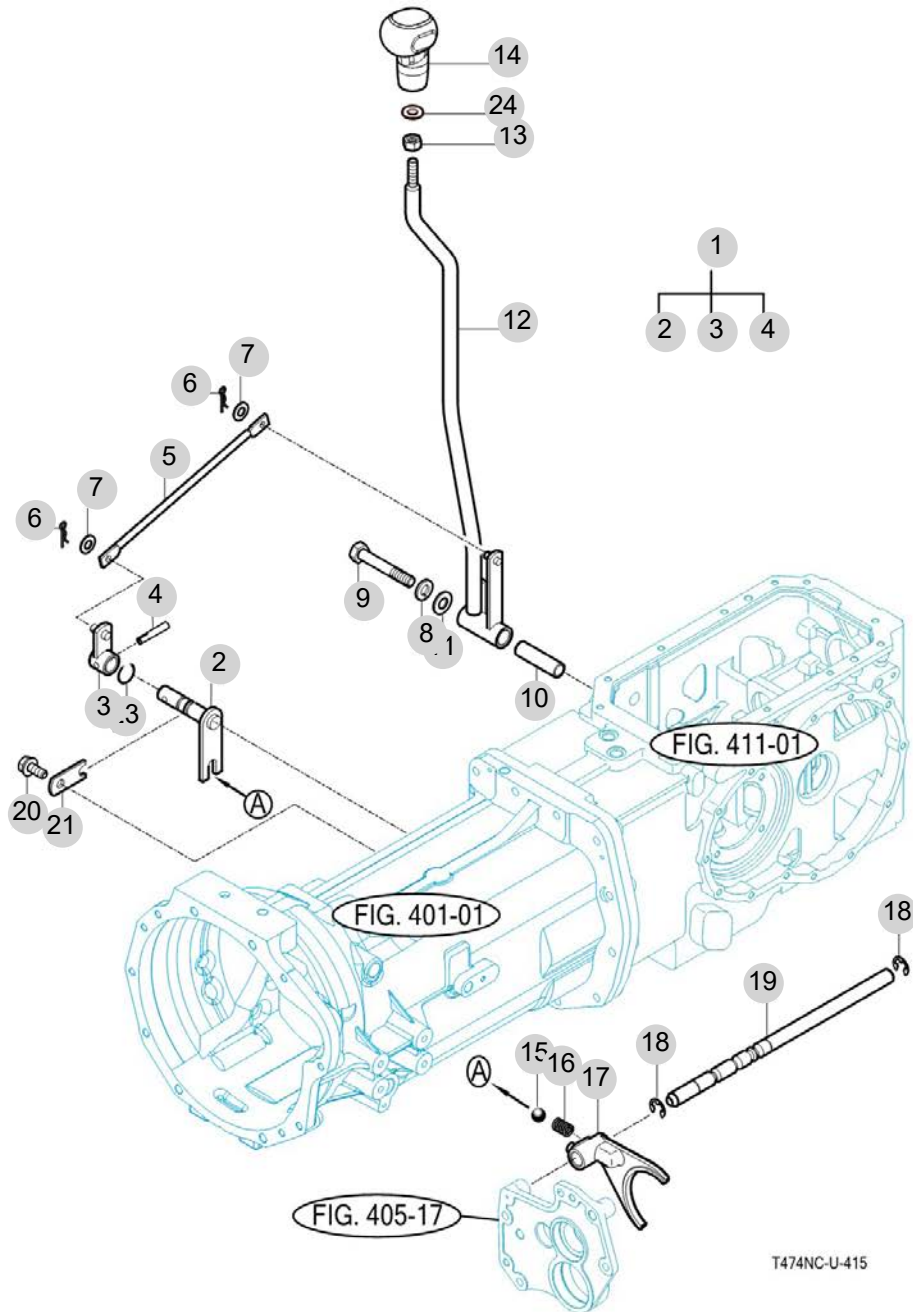
FIG 415

T475NCEU

SUB CHANGE LEVER

년/월  
Year/Month

2022-12



T474NC-U-415

NOTE



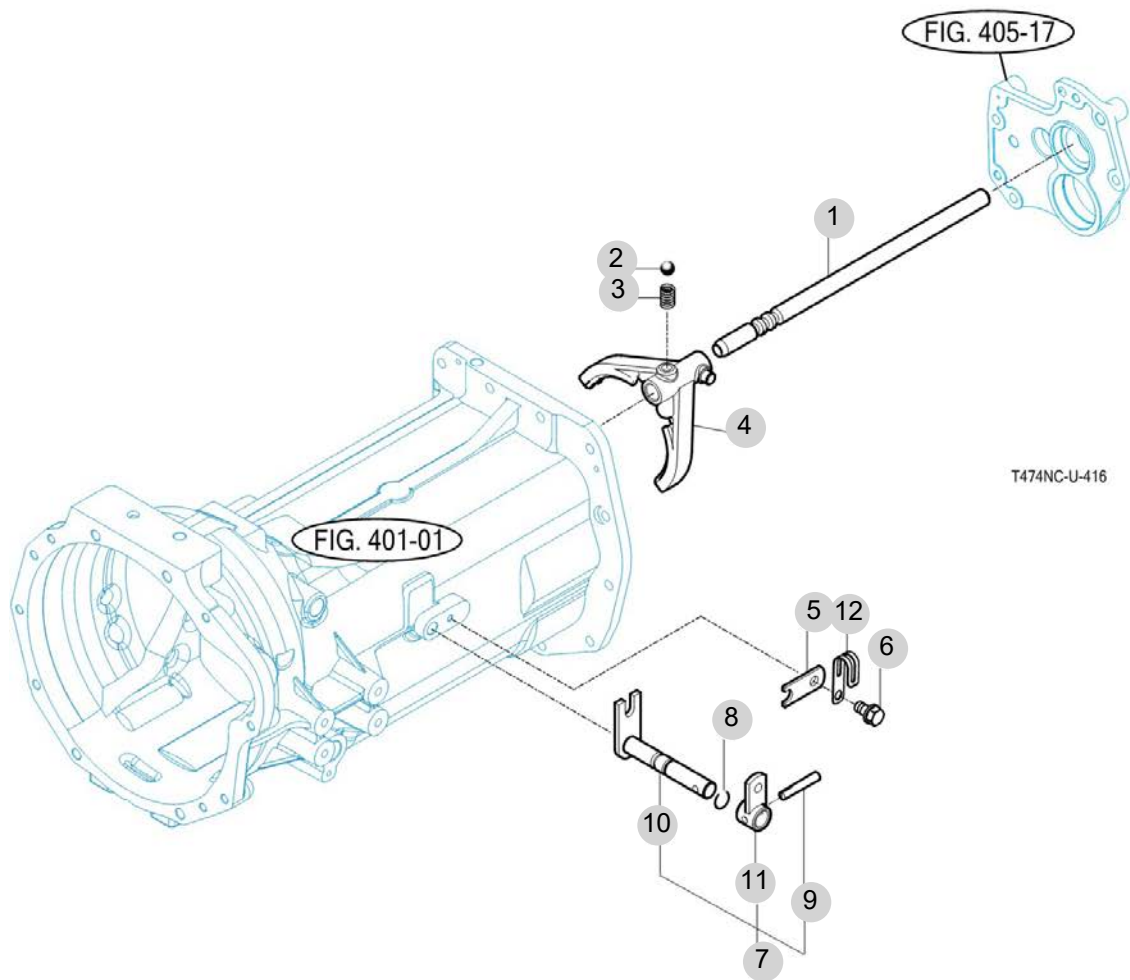
FIG 416

T475NCEU

REVERSE LINK

년/월  
Year/Month

2022-12



T474NC-U-416

NOTE



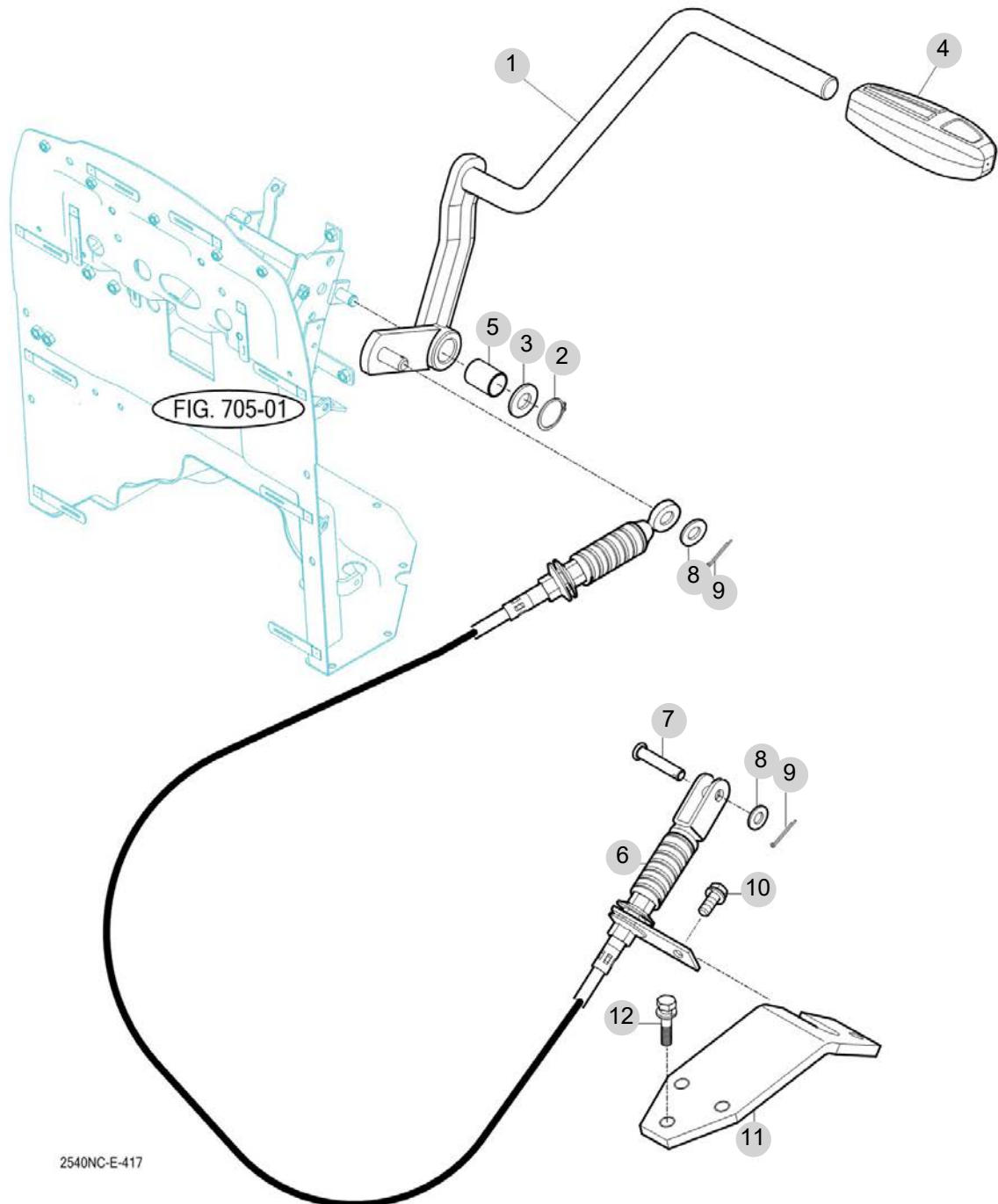
FIG 417

REVERSE CHANGE LEVER

년/월  
Year/Month

2022-12

T475NCEU



2540NC-E-417

NOTE





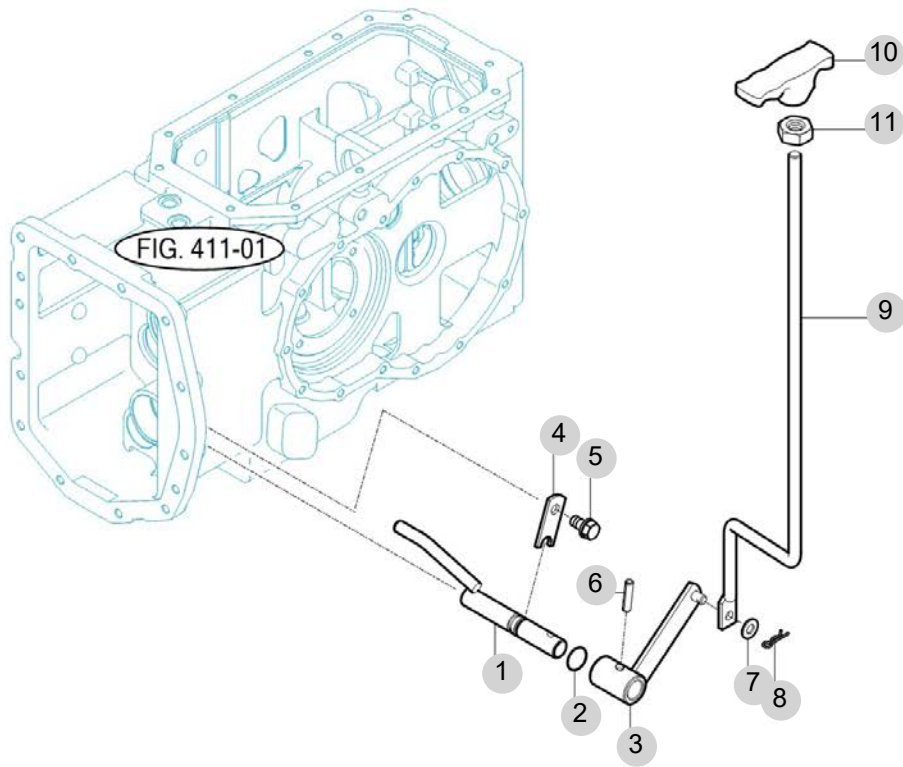
FIG 418

T475NCEU

4WD CHANGE LEVER

년/월  
Year/Month

2022-12



T303/353NC-E-418

NOTE



## 5. 프런트 액슬 PART NO. T5

FIG 501 FRONT AXLE BRACKET	168
FIG 502 FRONT DIFF. GEARS & SHAFT	170
FIG 503 FRONT AXLE HOUSING	172
FIG 504 FRONT GEAR CASE (1)	174
FIG 505 FRONT GEAR CASE (2)	176

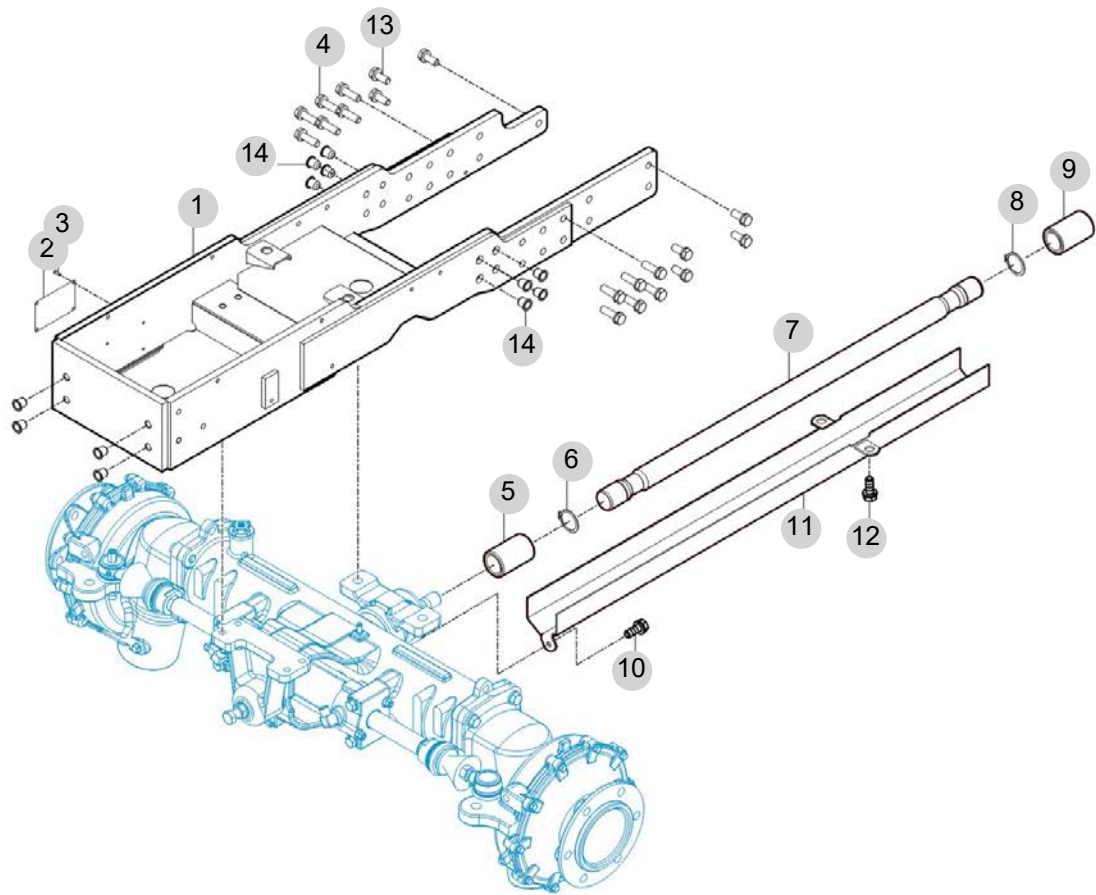
FIG 501

FRONT AXLE BRACKET

년/월  
Year/Month

2022-12

T475NCEU



NOTE



FIG 502

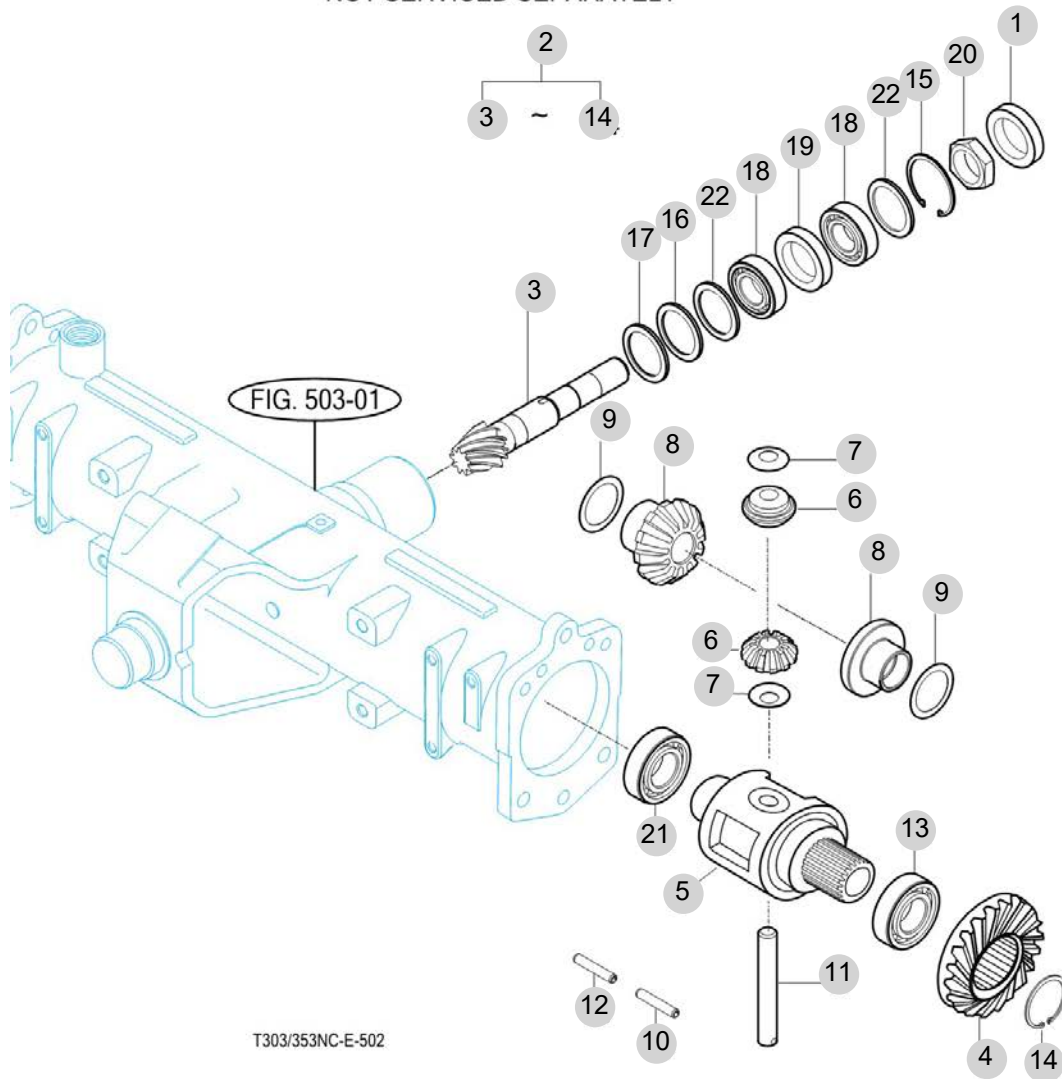
T475NCEU

FRONT DIFF. GEARS & SHAFT

년/월  
Year/Month

2022-12

\* NOT SERVICED SEPARATELY



T303/353NC-E-502

NOTE



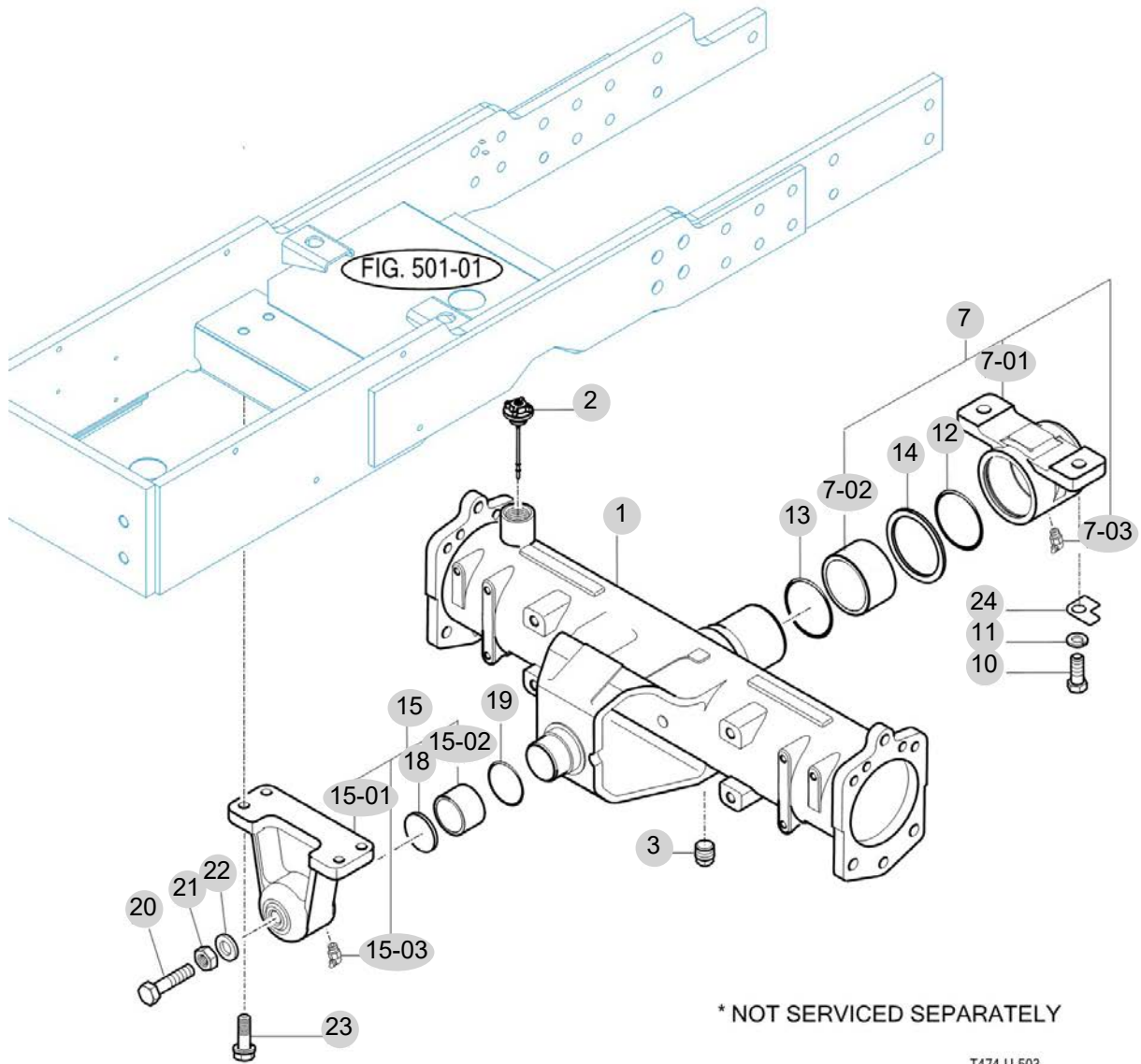
FIG 503

T475NCEU

FRONT AXLE HOUSING

년/월  
Year/Month

2022-12



T474-U-503

NOTE





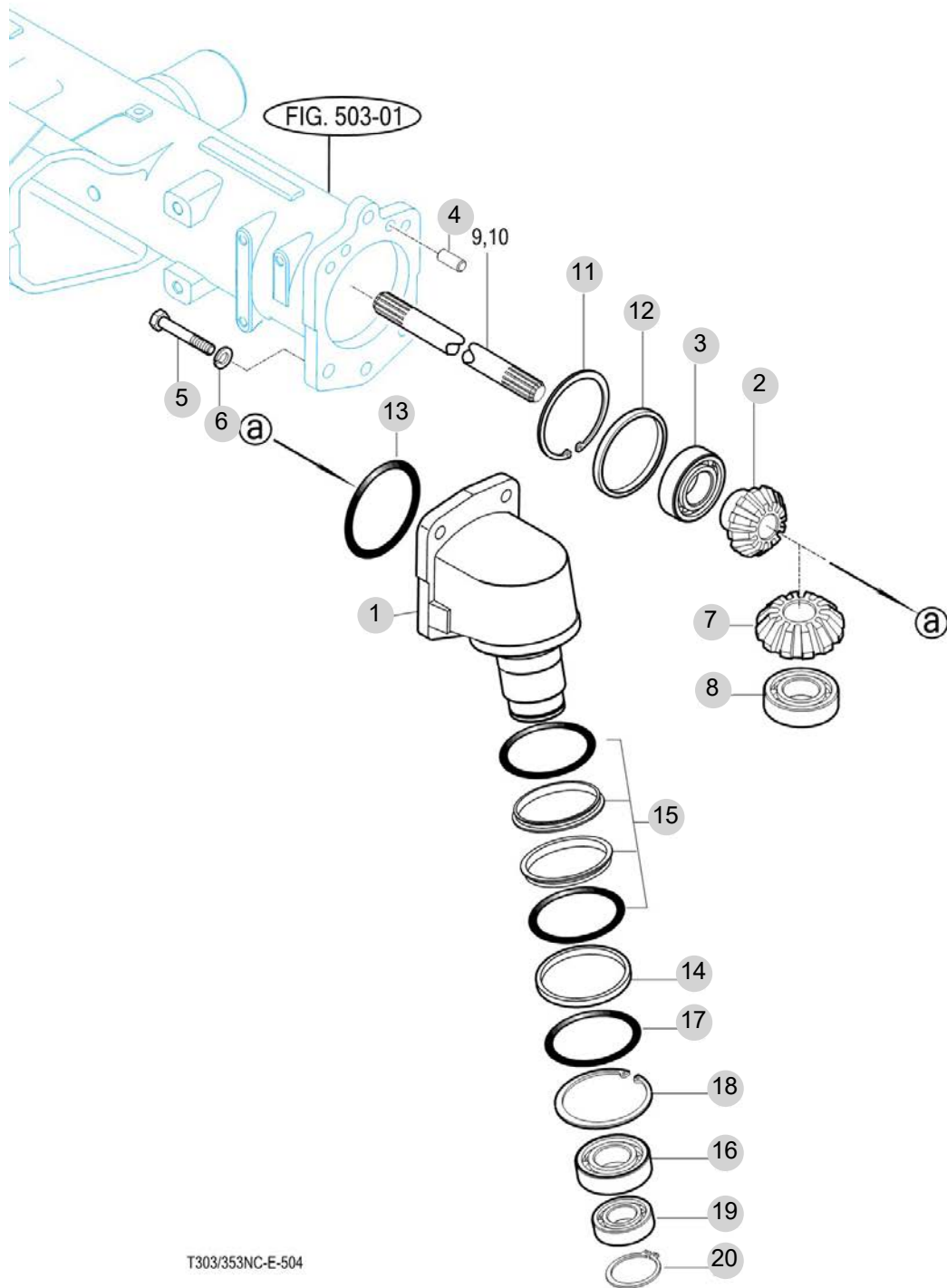
FIG 504

T475NCEU

FRONT GEAR CASE (1)

년/월  
Year/Month

2022-12



NOTE



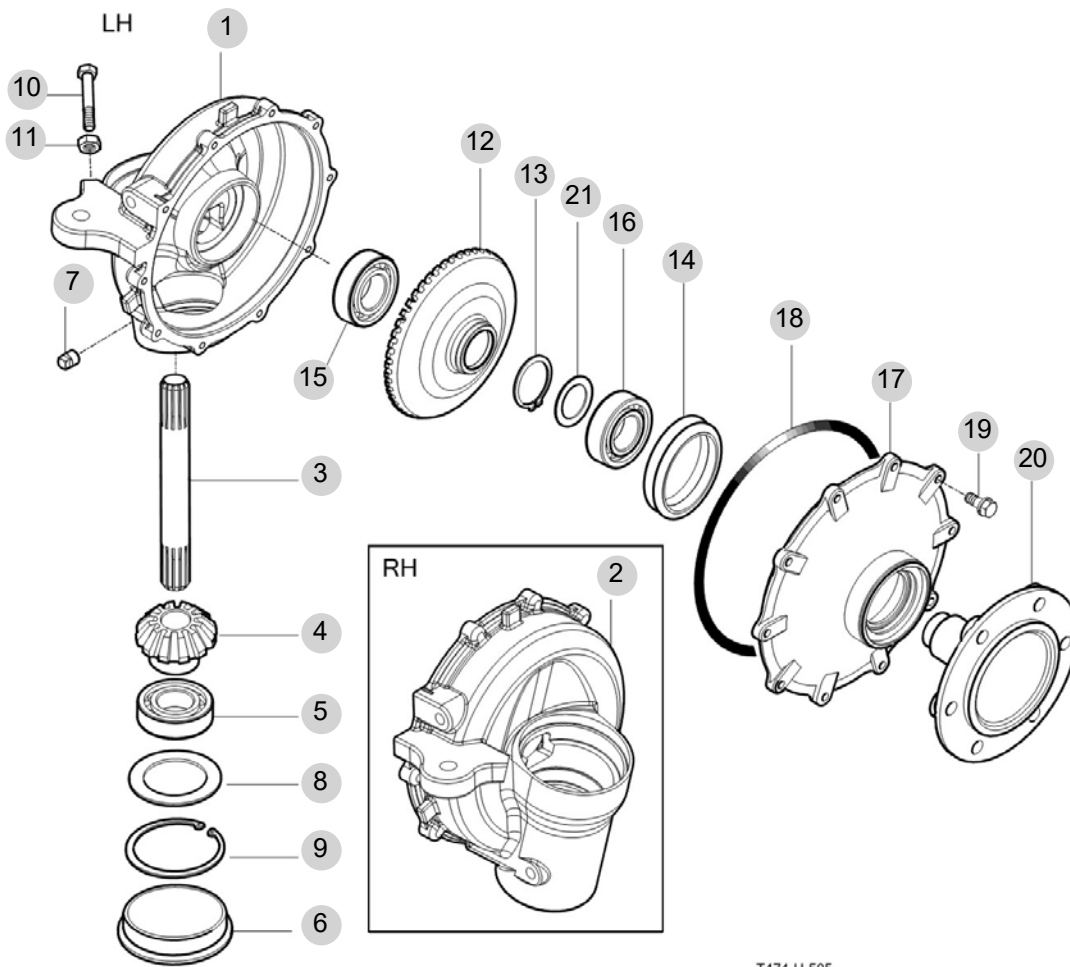
FIG 505

T475NCEU

FRONT GEAR CASE (2)

년/월  
Year/Month

2022-12



T474-U-505

NOTE



## 6. 유압/3점링크 PART NO. T6

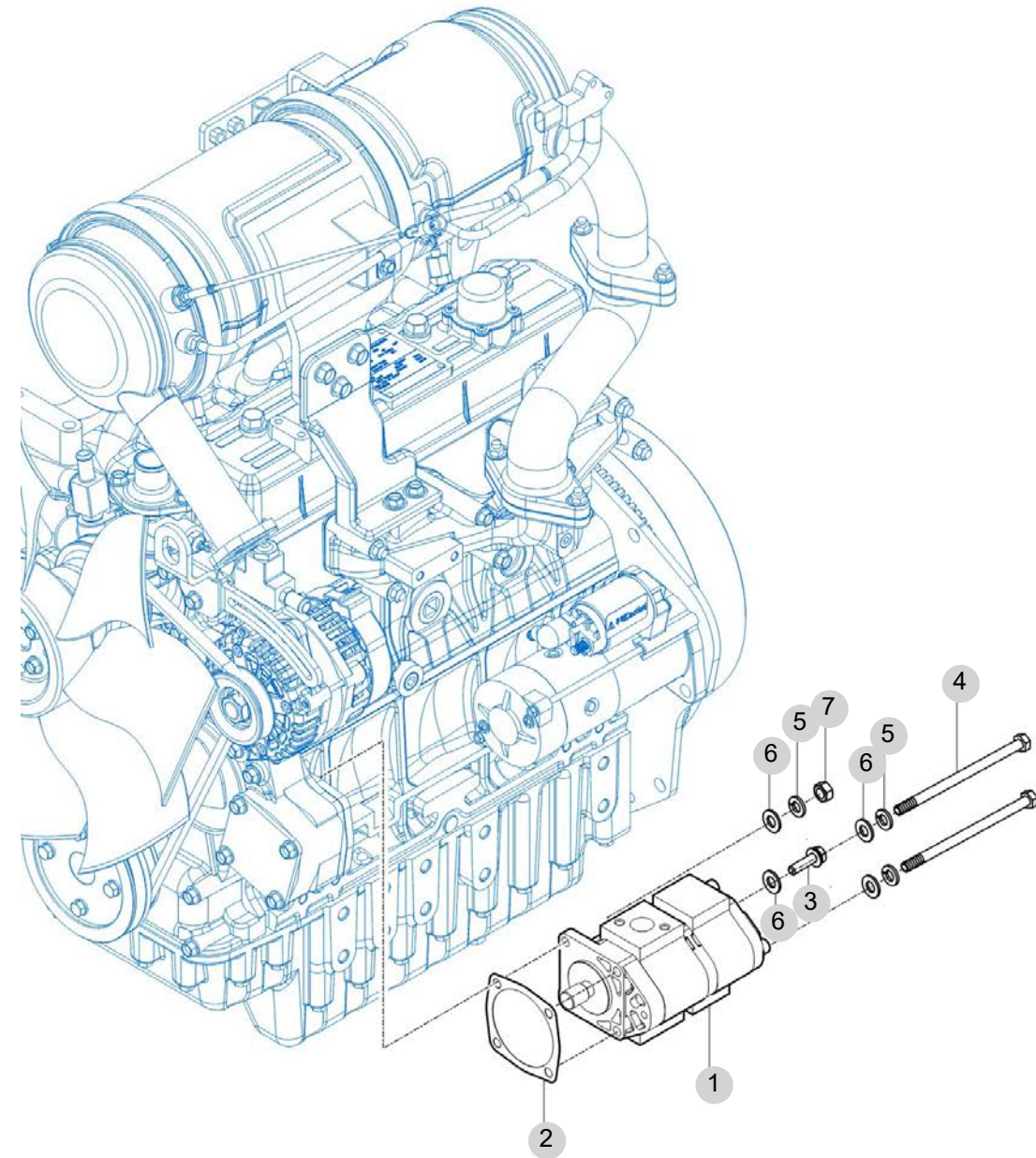
FIG 601 GEAR PUMP	179
FIG 602 CYLINDER CASE	181
FIG 603 LIFT ARM	183
FIG 604 CYLINDER	185
FIG 605 POSITION LINK (1)	187
FIG 606 POSITION LINK (2)	189
FIG 607 CONTROL VALVE	191
FIG 608 POSITION LEVER	193
FIG 609 HYDRAULIC PIPE (1)	195
FIG 610 HYDRAULIC PIPE (2)	198
FIG 611 EXTERIOR HYD. VALVE	200
FIG 612 3-POINT LINK	202
FIG 613 HITCH & COVER	205
FIG 614 EXTERIOR POSITION LEVER	207

FIG 601

GEAR PUMP

년/월  
Year/Month

2022-12



NOTE





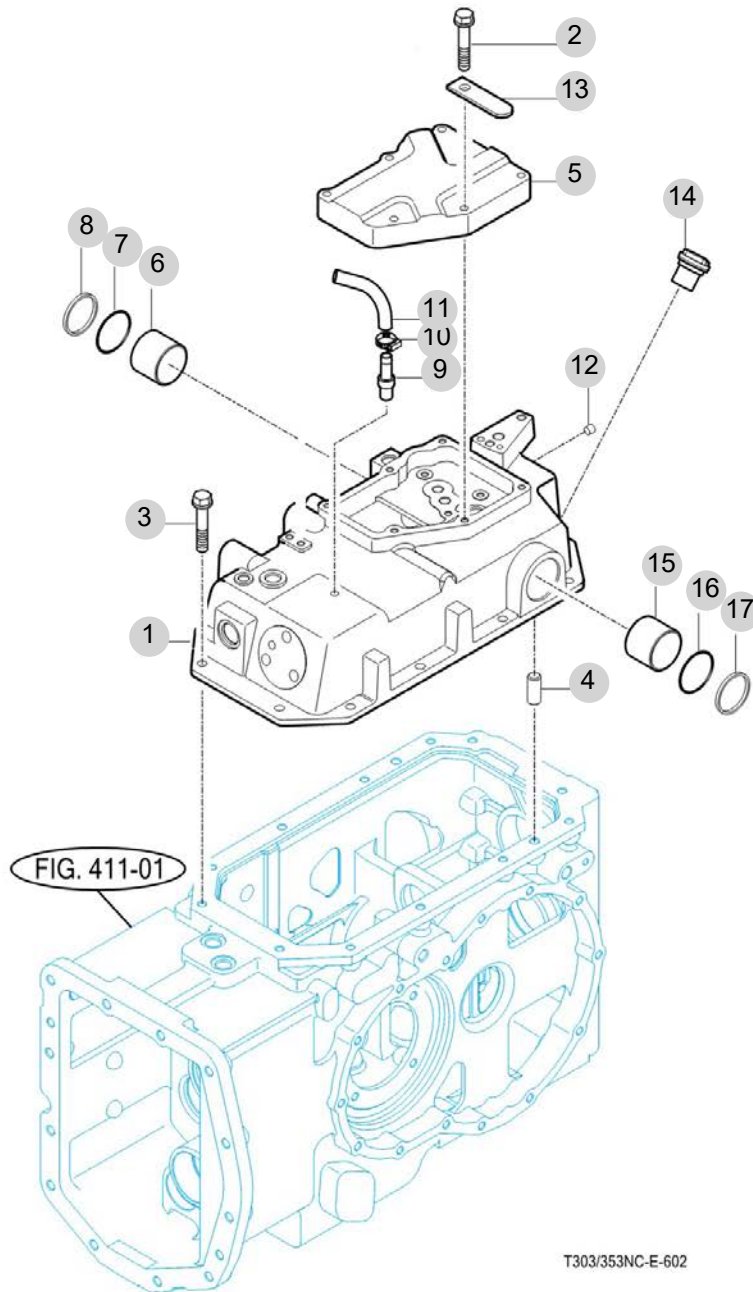
FIG 602

T475NCEU

CYLINDER CASE

년/월  
Year/Month

2022-12



T303/353NC-E-602

NOTE



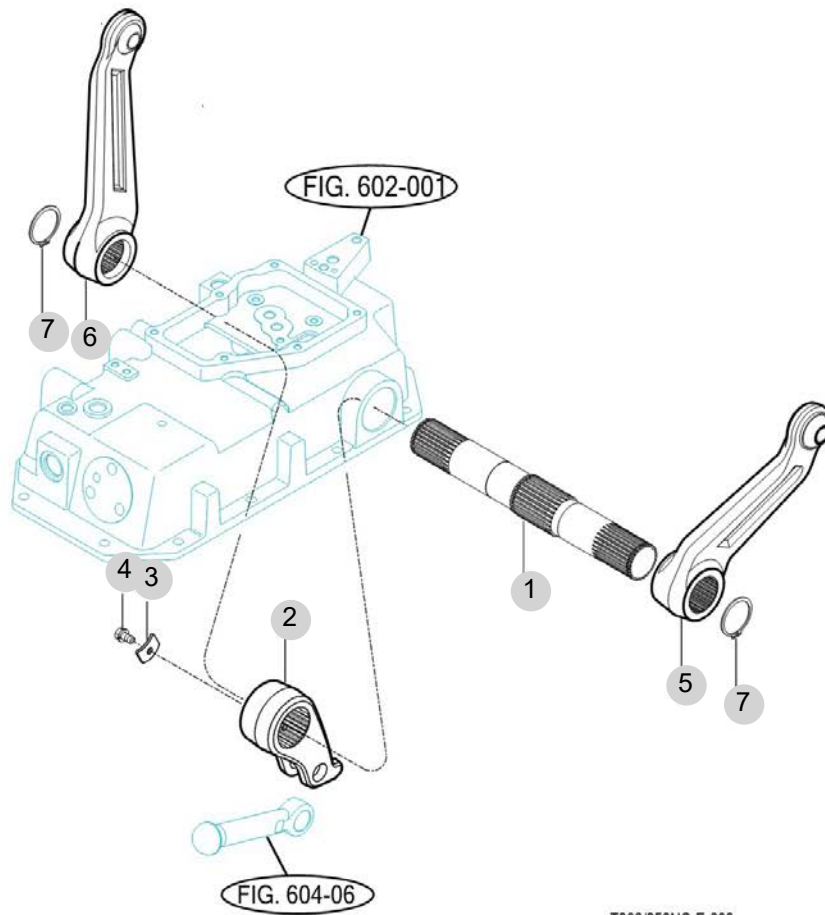
FIG 603

T475NCEU

LIFT ARM

년/월  
Year/Month

2022-12



T303/353NC-E-603

NOTE

<b>FIG 603</b>  T475NCEU	<b>LIFT ARM</b>						년/월 Year/Month
							2022-12

KEY NO	PART NO	DESCRIPTION	SPEC	QTY	REPAIR	EFFECTIVE DATE	REMARKS
603	1	16705020012M	리프트 샤프트				
603	2	16705020020M	크랭크(리프트)				
603	3	17995020030	고정판				
603	4	V2173608016	소형육각볼트보통(S)	M8X16	1		
603	5	16705022100M	암 리프트조합		1		
603	6	16705022100M	암 리프트조합		1		
603	7	V7041400450	C형멈춤링(축용)	45	2		
NOTE							

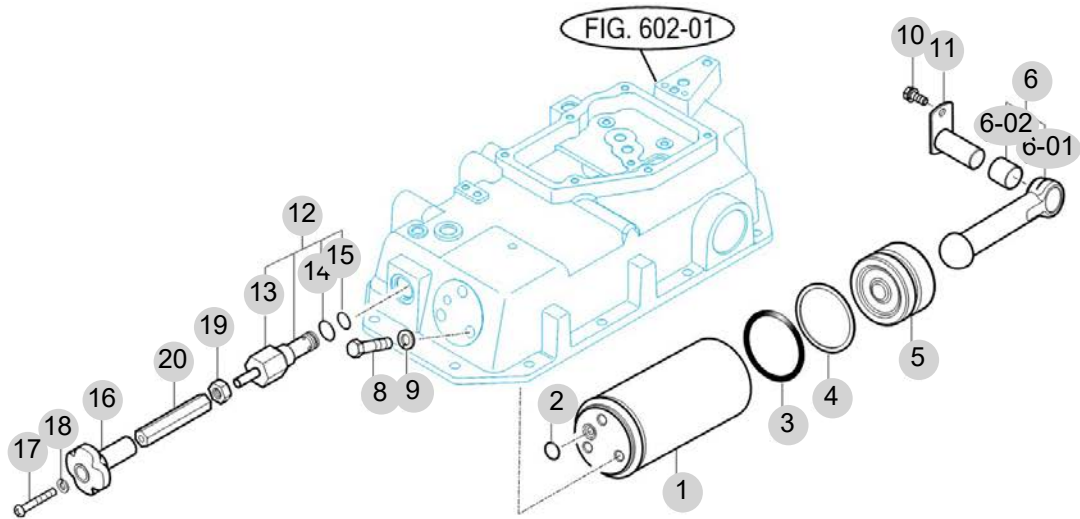
FIG 604

T475NCEU

CYLINDER

년/월  
Year/Month

2022-12



T303/353NC-E-604

NOTE



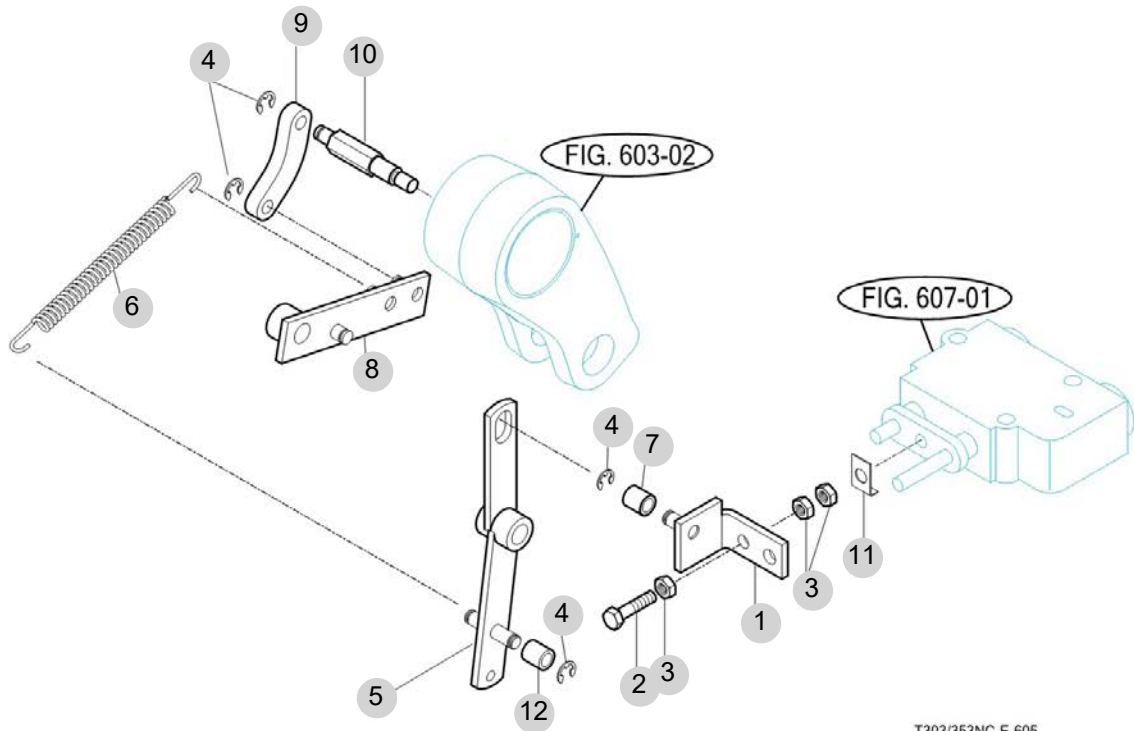
FIG 605

T475NCEU

POSITION LINK (1)

년/월  
Year/Month

2022-12



T303/353NC-E-605

NOTE





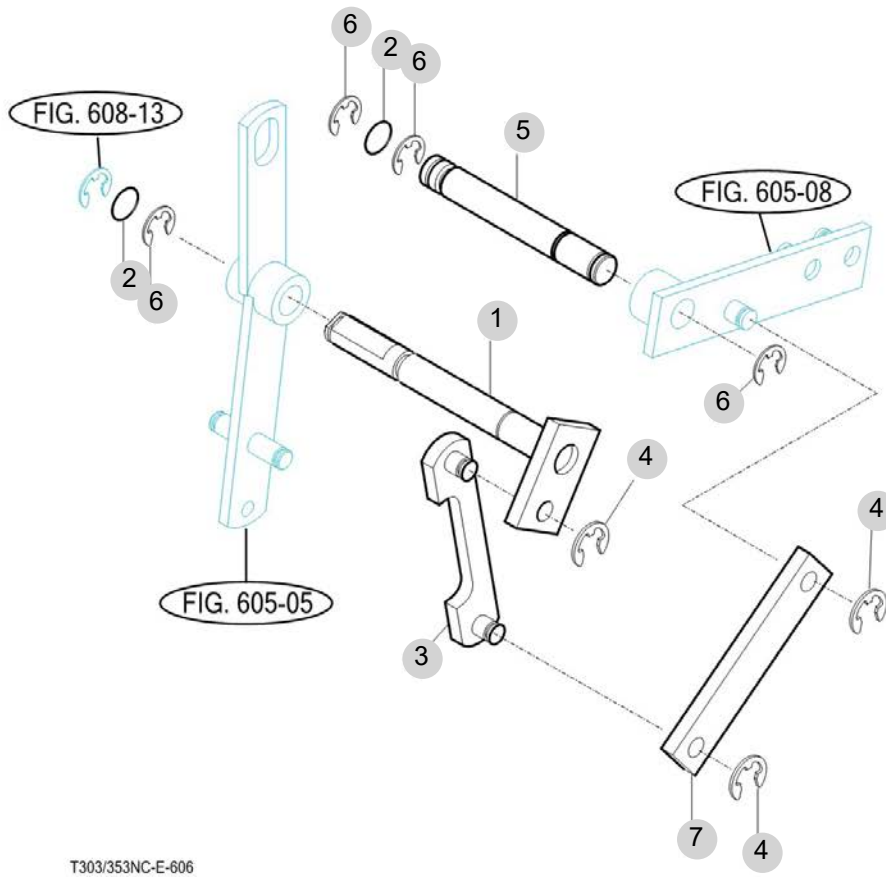
FIG 606

T475NCEU

POSITION LINK (2)

년/월  
Year/Month

2022-12



T303/353NC-E-606

NOTE



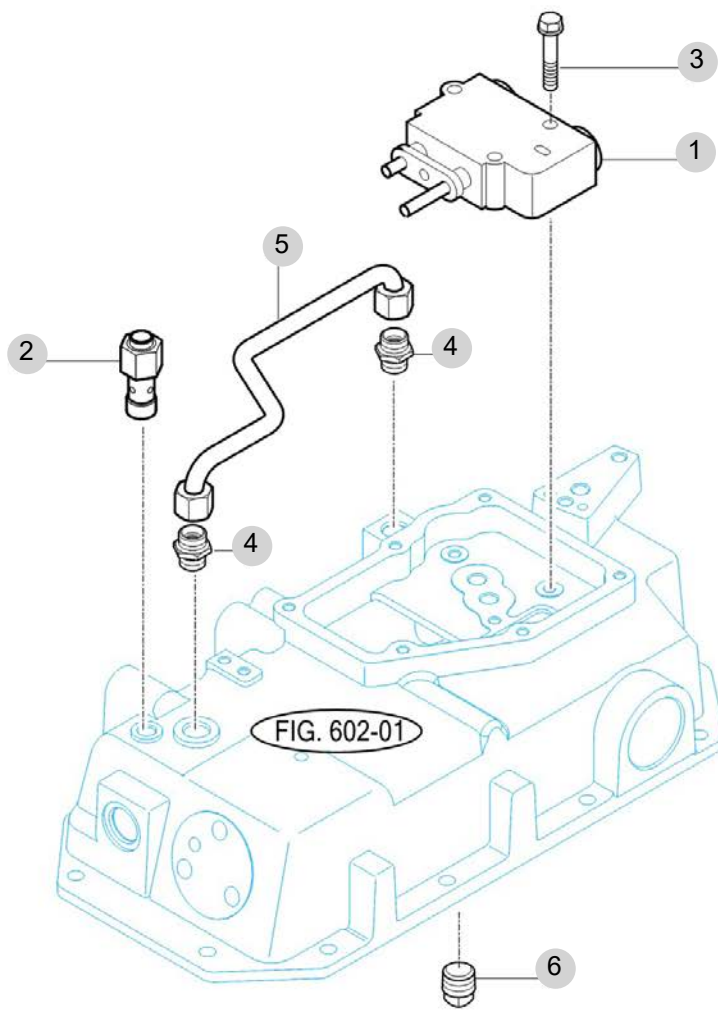
FIG 607

T475NCEU

CONTROL VALVE

년/월  
Year/Month

2022-12



T303/353NC-E-607

NOTE



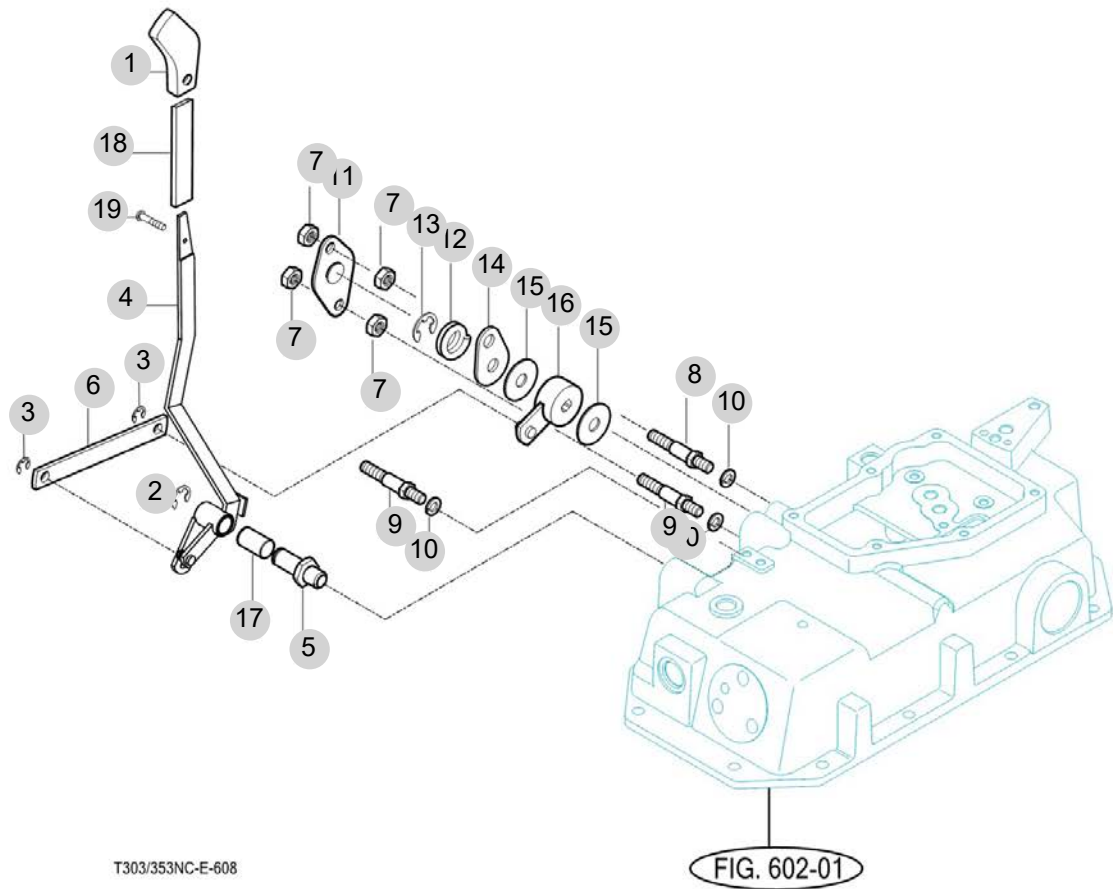
FIG 608

T475NCEU

POSITION LEVER

년/월  
Year/Month

2022-12



NOTE



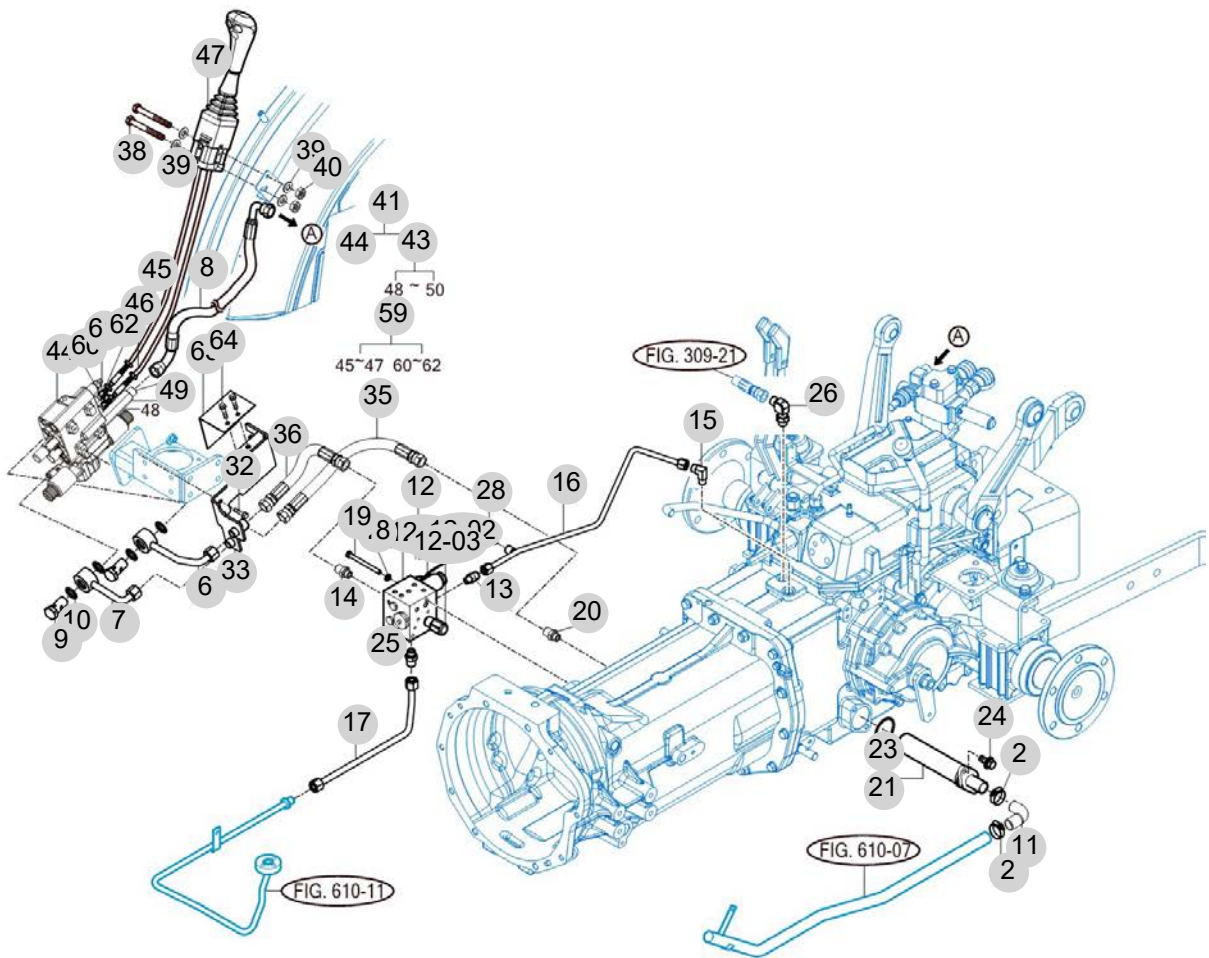
FIG 609

HYDRAULIC PIPE (1)

년/월  
Year/Month

T475NCEU

2022-12



NOTE

FIG 609		HYDRAULIC PIPE (1)					년/월 Year/Month		
							2022-12		
T475NCEU		KEY NO	PART NO	DESCRIPTION	SPEC	QTY	REPAIR	EFFECTIVE DATE	REMARKS
609	2	18027090400	밴드 클램프 40 홀식			2			
609	6	13835412101GB	로더 파이프 COMP , P			1			
609	6	13835412102GB	로더 파이프 COMP , P			1			
609	7	13835412201GB	로더 파이프 COMP , T			1			
609	7	13835412202GB	로더 파이프 COMP , T			1			
609	8	13835152330	유압호스(1400)ASSY			1			
609	9	13875410082	아이 조인트 볼트 (PF1/2)			2			
609	10	19557753010	본디드 심 , PF1/2			4			
609	11	17405100011	엘보 호스			1			
609	12	14835182001	PTO밸브ASSY			1			
609	12-01	14725182101	PTO 밸브			1			
609	12-02	15640090001	릴리프밸브 ASSY			1			
609	12-03	14725182210	솔레노이드 코일			1			
609	13	14444080062	콘넥터			1			
609	14	17407362300	엘보(PF3/8,PF1/2)			1			
609	15	16705100100	엘보(PF3/8XM16)			1			
609	16	16705104201	파이프(PTO)COMP			1			
609	17	14945104702	파이프(딜리버리/후) COMP			1			
609	18	V4011600080	스프링와셔	M8		3			
609	19	V2013608090	소형육각볼트(보통)	M8X90		3			
609	20	16995304000	유니온(오링)			1			
609	21	16705105000	흡입필터 ASSY			1			
609	23	V7211031045	O링(G)	G45		1			
609	24	V2183610025	소형육각볼트보통(SP)	M10X25		2			
609	25	16995304000	유니온(오링)			1			
609	26	14944050100	엘보(PF3/8XM16,45)			1			
609	28	13267060022	드레인플러그			1			
609	32	V2173608016	소형육각볼트보통(S)	M8X16		2			
609	33	13835413101GB	로더 브래킷 COMP			1			
609	33	13815256100GB	로더 브래킷 COMP			1			
609	35	12924070010	유압호스(550)ASSY			1			
609	36	17974072500	유압호스(510)ASSY			1			
609	36	13825152200	유압호스(570)ASSY			1			
609	38	V2173608085	소형육각볼트보통(S)	M8X85		2			
609	39	V4111600080	평와셔	M8		4			
609	40	V3042600080	소형육각너트보통2종	M8		2			
609	41	13807753001	로더밸브 SUB			1			
609	41	13805252000	로더밸브 SUB			1			
609	42	13807752003	로더밸브 조이스틱 ASSY			1			
609	43	13835163000	라인필터 ASSY			1			
609	44	13877752100	로더밸브 ASSY			1			
609	45	13807752400	조이스틱 케이블 ASSY(770)			1			
609	45	13805252210	조이스틱 케이블 ASSY(760)			1			
609	46	13827752300	조이스틱 케이블 ASSY(790)			1			
609	46	13805252220	조이스틱 케이블 ASSY(810)			1			
NOTE									





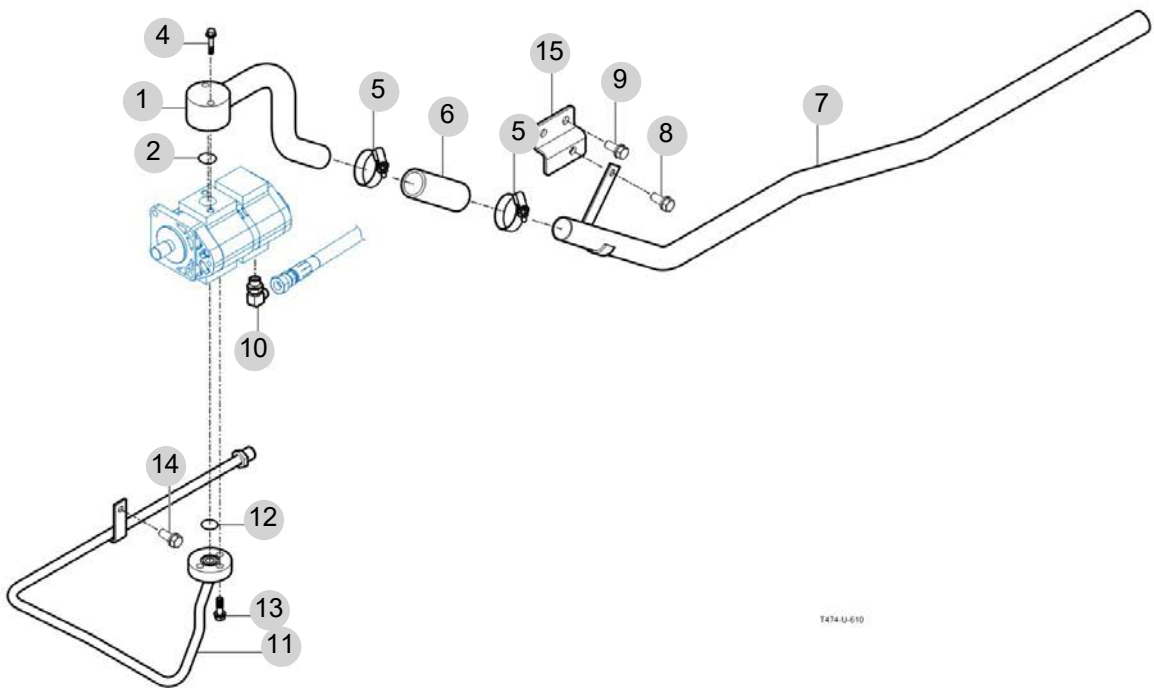
FIG 610

T475NCEU

HYDRAULIC PIPE (2)

년/월  
Year/Month

2022-12



T474-U-610

NOTE



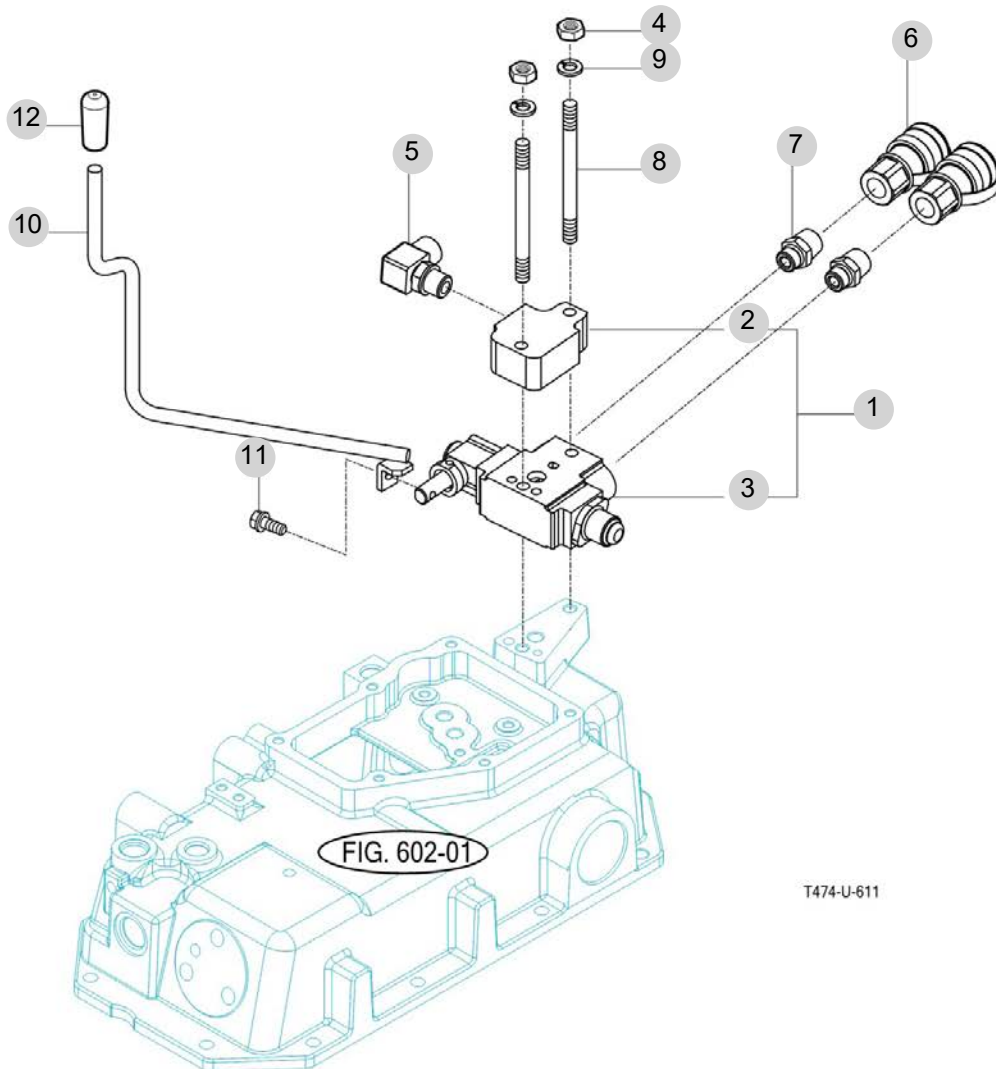
FIG 611

T475NCEU

EXTERIOR HYD. VALVE

년/월  
Year/Month

2022-12



NOTE

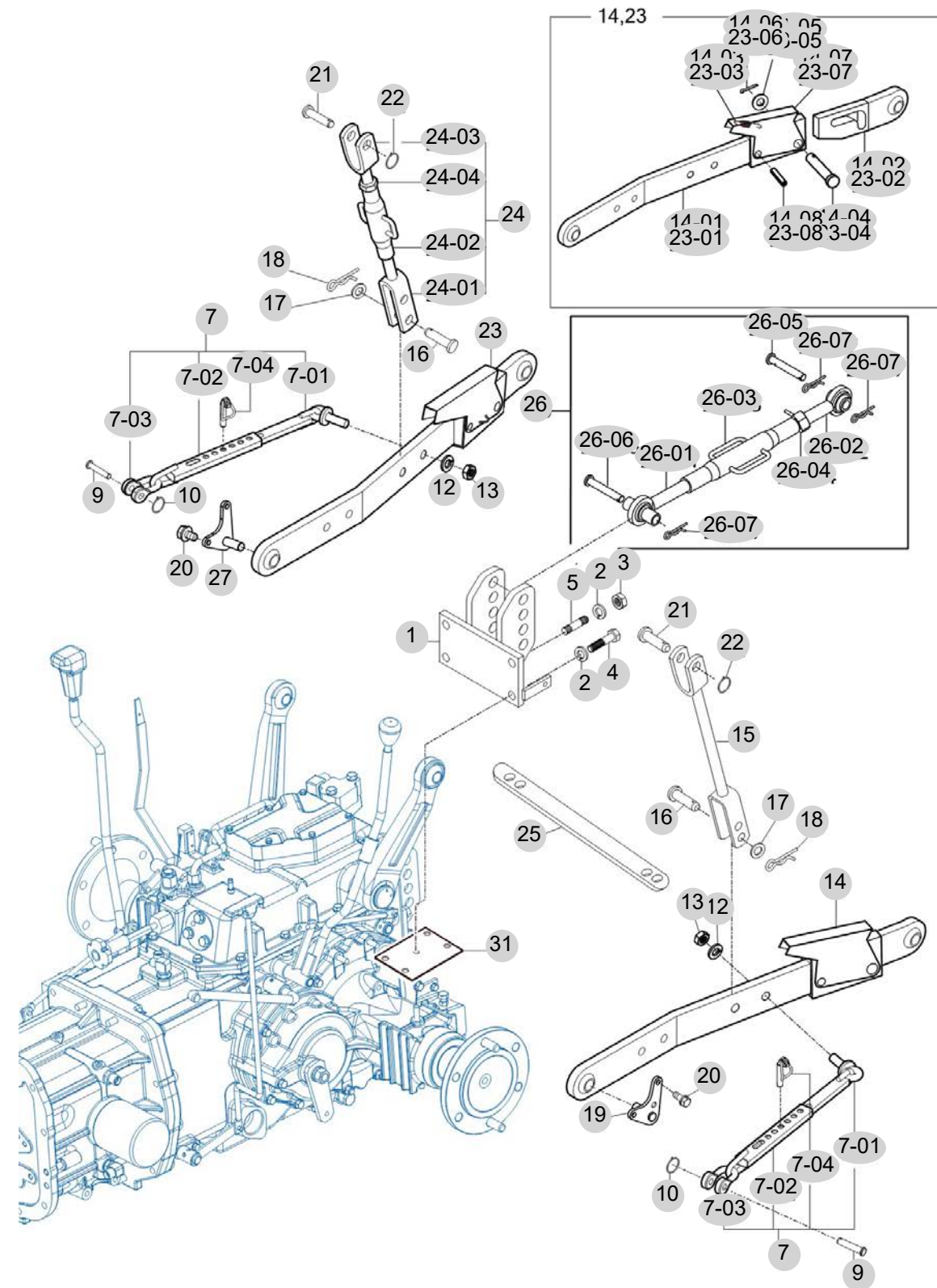


FIG 612

3-POINT LINK

년/월  
Year/Month

2022-12



NOTE

FIG 612		3-POINT LINK					년/월	
							Year/Month	
T475NCEU		2022-12						
KEY NO	PART NO	DESCRIPTION	SPEC	QTY	REPAIR	EFFECTIVE DATE	REMARKS	
612	1	16703172002GB	톱링크 브래킷 COMP		1			
612	2	V4011600140	스프링와셔	M14	4			
612	3	V3043600140	소형육각너트보통2종	M14	2			
612	4	V2014614035	소형육각볼트(보통)		2			
612	5	V2514414030	스터드볼트2종	M14X30	2			
612	7	10525142500	체인(체크) 조합		2			
612	7-01	10525142520	체크바 조합		2			
612	7-02	10525142510	체크소켓조합		2			
612	7-03	16705142520	체크체인 샤클		2			
612	7-04	17705254200	린치핀	M14	2			
612	9	79636110030	핀(12X48)		2			
612	10	16735240060	스프링(45)		2			
612	12	V4011600160	스프링와셔	M16	2			
612	13	V3013600160	육각너트보통2종	M16	2			
612	14	10525262300GB	로어링크ASSY(LH)		1			
612	14	10525262301GB	하부 링크 ASSY , LH		1			
612	14-01	10525262310	하부링크 SUB , LH/FR		1			
612	14-02	10525262320	하부링크 SUB , LH/RR		1			
612	14-03	15155262330	인장 스프링		1			
612	14-04	15155262340	핀 ,22X56		1			
612	14-05	V4111600220	평와셔	M22	1			
612	14-06	V5001940035	분할핀	4X35	1			
612	14-07	15155262350	손잡이		1			
612	14-08	15155262360	스프링핀		1			
612	15	10525243000GB	리프트로드(LH) COMP		1			
612	16	15605260014	핀(16X51)		2			
612	17	V4111600160	평와셔	M16	2			
612	18	V5601600160	스냅핀		2			
612	19	12385142200	핀(LH) COMP		2			
612	20	V2173612030	소형육각볼트보통(S)	M12X30	4			
612	21	16735243500	핀		2			
612	22	16735240060	스프링(45)		2			
612	23	10525262200GB	로어링크ASSY(RH)		1			
612	23	10525262201GB	하부 링크 ASSY , RH		1			
612	23-01	10525262210	하부링크 SUB , RH/FR		1			
612	23-02	10525262220	하부링크 SUB , RH/RR		1			
612	23-03	15155262330	인장 스프링		1			
612	23-04	15155262340	핀 ,22X56		1			
612	23-05	V4111600220	평와셔	M22	1			
612	23-06	V5001940035	분할핀	4X35	1			
612	23-07	15155262350	손잡이		1			
612	23-08	15155262360	스프링핀		1			
612	24	10525244000GB	리프트로드(RH)ASSY		1			
612	24-01	10525145200	포크(하)COMP		1			
612	24-02	16705145100	슬리브 COMP		1			
NOTE								





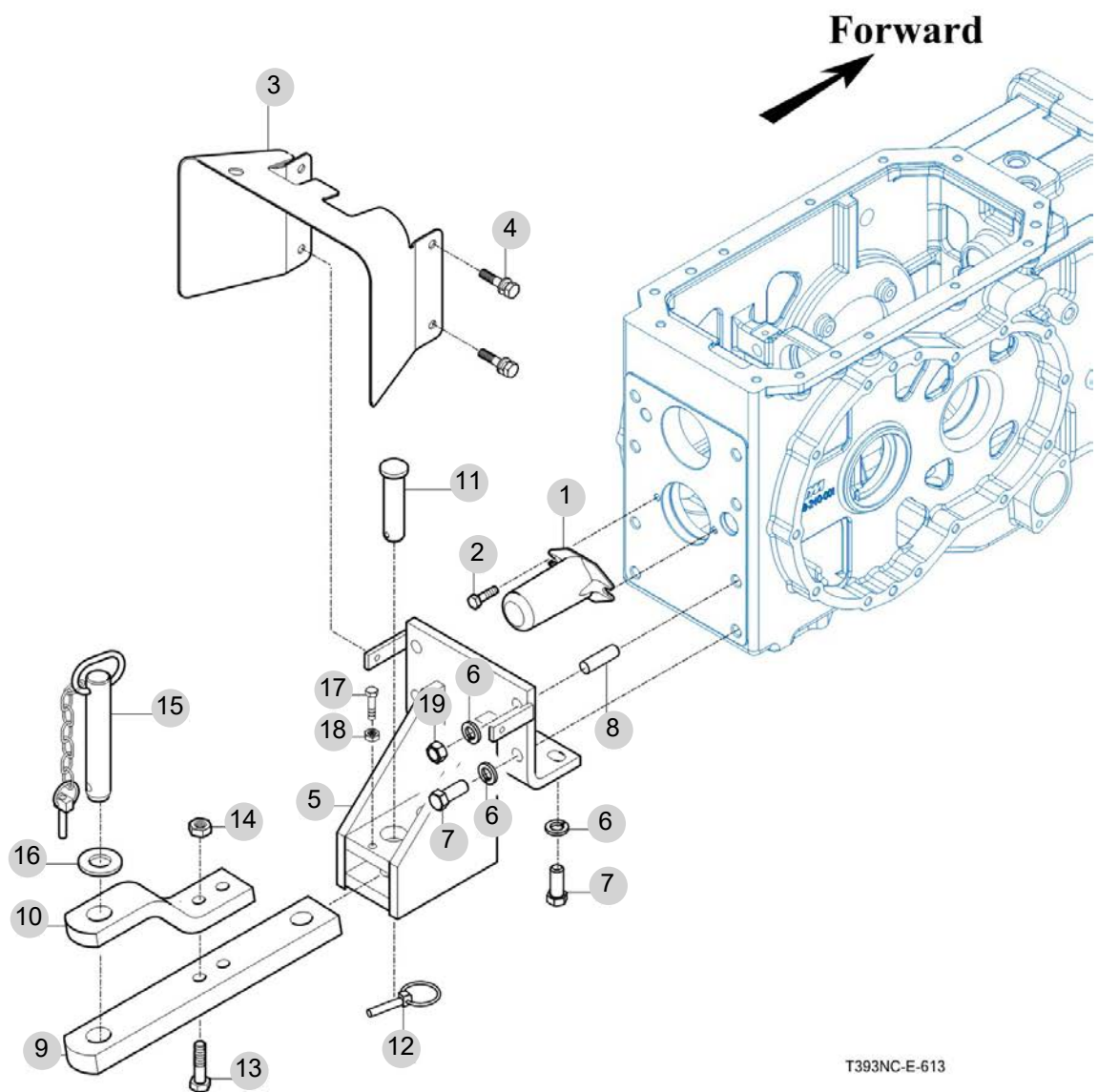
FIG 613

HITCH & COVER

년/월  
Year/Month

2022-12

T475NCEU



T393NC-E-613

NOTE



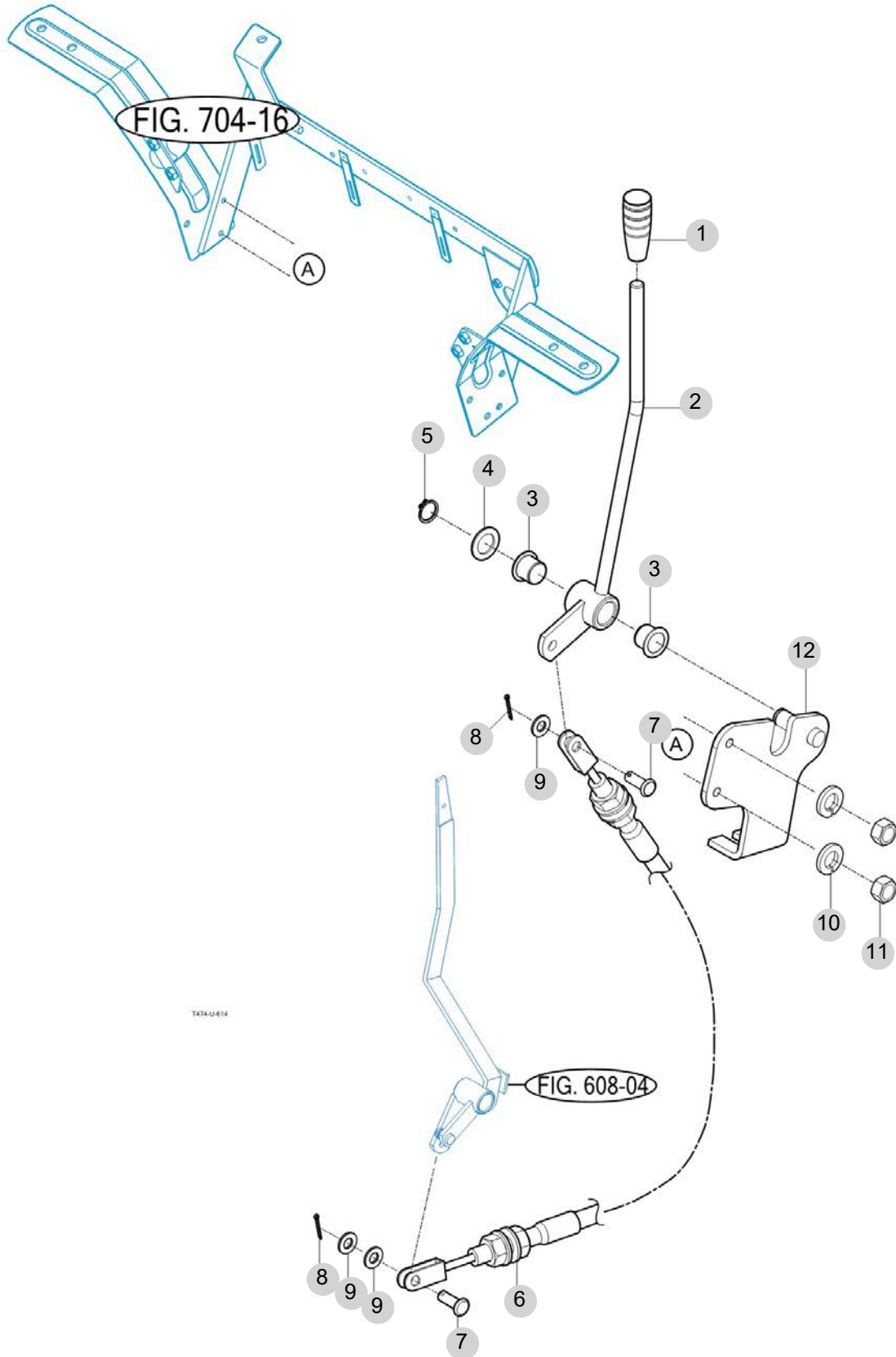
FIG 614

EXTERIOR POSITION LEVER

년/월  
Year/Month

2022-12

T475NCEU



NOTE



## 7. 시트메탈/캐빈 PART NO. T7

FIG 701 HOOD FRAME	210
FIG 702 HOOD	213
FIG 703 EXTENSION COVER	216
FIG 704 FENDER & REAR FRAME	218
FIG 705 DASH PANEL	221
FIG 706 FLOOR PANEL	223
FIG 707 SEAT	225
FIG 708 FRONT & REAR MOUNTING	227
FIG 709 ROPS	229

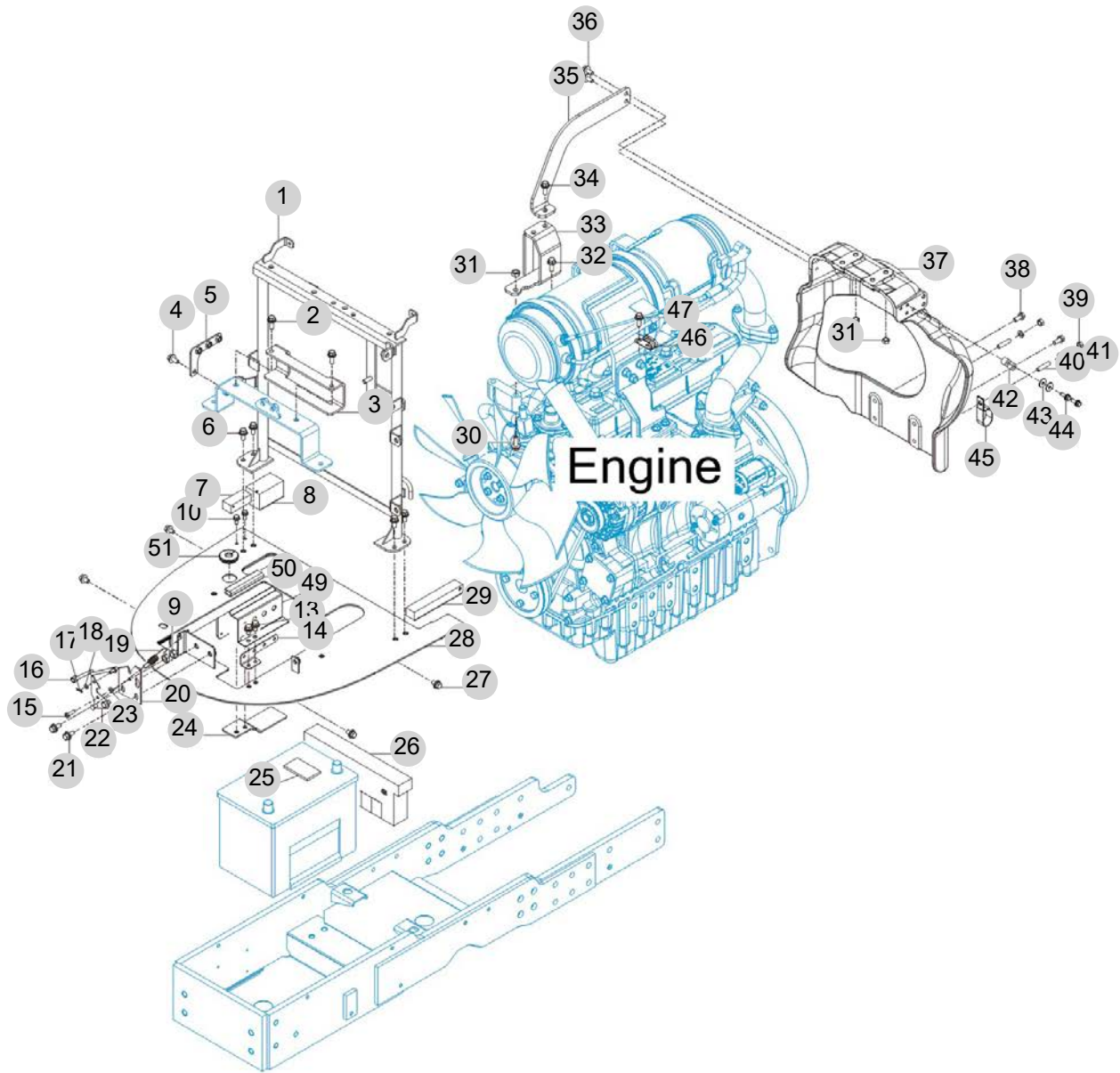
FIG 701

T475NCEU

HOOD FRAME

년/월  
Year/Month

2022-12



NOTE

FIG 701		HOOD FRAME					년/월 Year/Month		
							2022-12		
T475NCEU		KEY NO	PART NO	DESCRIPTION	SPEC	QTY	REPAIR	EFFECTIVE DATE	REMARKS
701	1	13831031100GB	프레임 COMP , 프런트			1			
701	2	V2183608020	소형육각볼트보통(SP)	M8X20		2			
701	3	13831811400GB	브래킷, 배터리 고정			1			
701	4	V2183608020	소형육각볼트보통(SP)	M8X20		1			
701	5	13831613200GB	브래킷 COMP , 릴레이			1			
701	6	V2183608020	소형육각볼트보통(SP)	M8X20		4			
701	7	13831030700	인슐레이터 , B			1			
701	8	13831030800	인슐레이터 , C			1			
701	9	V3013600060	육각너트보통2종	M6		2			
701	10	V2123606016	육각볼트(SP)	M6X16		2			
701	13	V2183606016	소형육각볼트보통(SP)	M6X16		2			
701	14	13831613400GB	브래킷, 퓨즈			1			
701	15	V2323606020	심자홍육각볼트(SP)			1			
701	16	10986024300	로드 COMP, OPEN			1			
701	17	V5001925020	핀			1			
701	18	V4111600060	평와셔	M6		1			
701	19	14143120020	텐션스프링 (53)			1			
701	19	11106020010	인장스프링(40)			1			
701	20	11106024210	후드스테이(B)			1			
701	21	V2183608020	소형육각볼트보통(SP)	M8X20		2			
701	22	11106024100	스테이(후드 A) COMP			1			
701	23	V4111600060	평와셔	M6		1			
701	24	13831052200GB	브래킷 COMP , 커버			1			
701	25	13151112011	인슐레이터(40X70)			1			
701	26	13831030500	인슐레이터 , 그릴플레이트			1			
701	27	V2183608016	소형육각볼트보통(SP)	M8X16		4			
701	28	10981052100GB	플레이트 COMP , 그릴			1			
701	29	13831030600	인슐레이터 , A			1			
701	30	V2173610055	소형육각볼트보통(S)	M10X55		1			
701	31	V3042600100	소형육각너트보통2종	M10		3			
701	32	V2183610025	소형육각볼트보통(SP)	M10X25		1			
701	33	13801712100GB	스탠드 COMP			1			
701	34	V2183608025	소형육각볼트보통(SP)	M8X25		1			
701	35	13831811200GB	지지대			1			
701	36	V2183608020	소형육각볼트보통(SP)	M8X20		2			
701	37	13831811100GB	엔진 리어 서포트			1			
701	38	V2173608025	소형육각볼트보통(S)	M8X25		2			
701	39	V3042600080	소형육각너트보통2종	M8		2			
701	40	V2513408025	스터드볼트2종			2			
701	41	V4011600080	스프링와셔	M8		2			
701	42	13831811300	스페이서			2			
701	43	V4111600060	평와셔	M6		2			
701	44	V2113606040	육각볼트(S)	M6X40		2			
701	45	14441010161	라디에이터호스클램프			1			
701	46	14256210040	하니스클램프(9)			1			
NOTE									

FIG 701 T475NCEU		HOOD FRAME						년/월 Year/Month
								2022-12
KEY NO		PART NO	DESCRIPTION	SPEC	QTY	REPAIR	EFFECTIVE DATE	REMARKS
701	47	V2183608016	소형육각볼트보통(SP)	M8X16	1			
701	49	13831613500GB	퓨즈 커버		1			
701	50	16991600090	모서리보호대(70)		1			
701	51	12396510210	고무캡(30)		1			
NOTE								



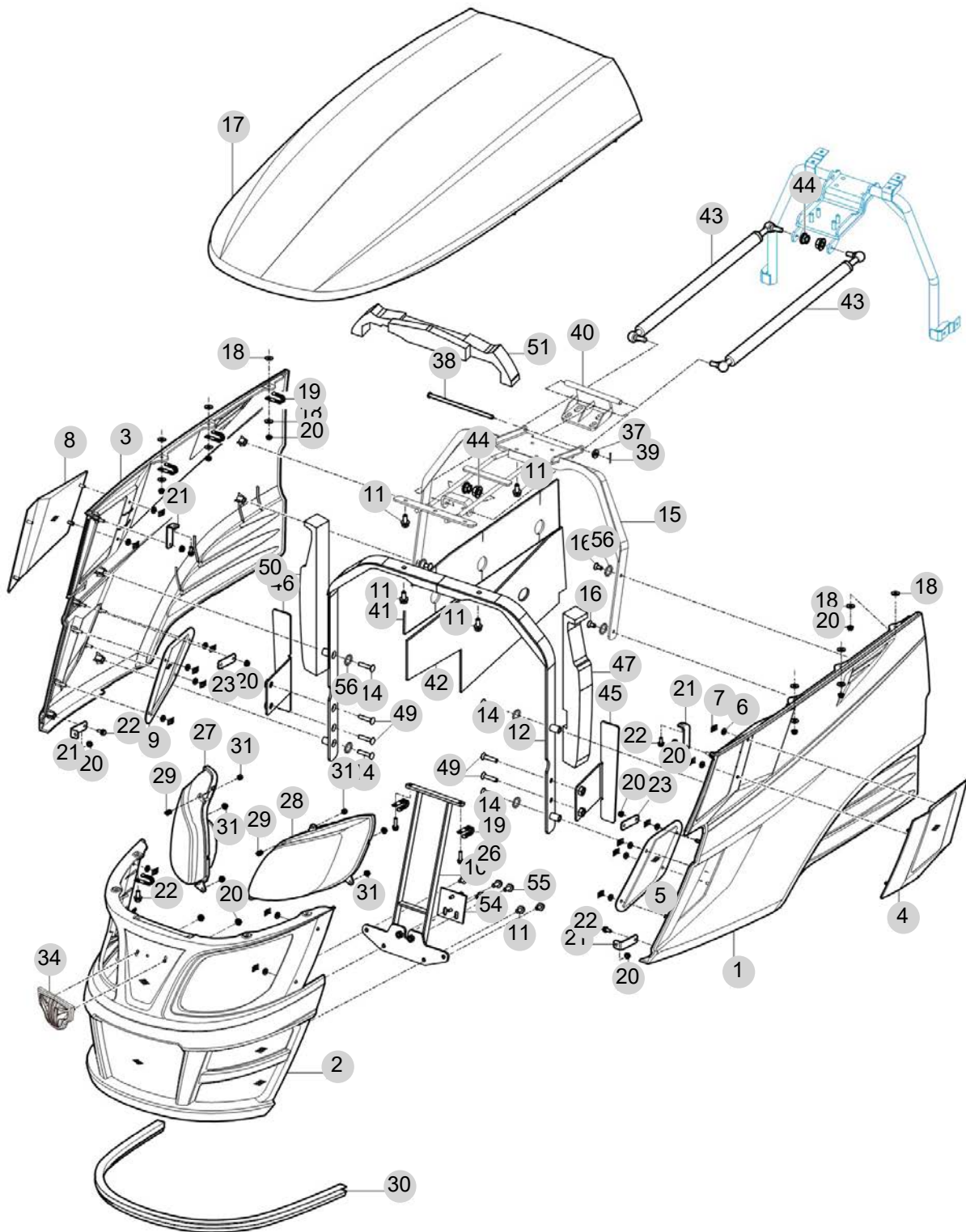
FIG 702

T475NCEU

HOOD

년/월  
Year/Month

2022-12



NOTE

FIG 702		HOOD					년/월 Year/Month		
							2022-12		
T475NCEU		KEY NO	PART NO	DESCRIPTION	SPEC	QTY	REPAIR	EFFECTIVE DATE	REMARKS
702	1	17406203301SR	사이드 커버 COMP , 좌			1			
702	1	17406203302SR	사이드 커버 COMP , 좌			1			
702	1	17406203303SR	사이드 커버 COMP , 좌			1			
702	2	17406203200GB	그릴 COMP			1			
702	3	17406203401SR	사이드 커버 COMP , 우			1			
702	3	17406203402SR	사이드 커버 COMP , 우			1			
702	3	17406203403SR	사이드 커버 COMP , 우			1			
702	4	17406203500GB	네트 , 상/좌			1			
702	5	17406203600GB	네트 , 하/좌			1			
702	6	14446010150	네트와샤(6X14X3)			22			
702	7	V3501600060	스프링 너트			22			
702	8	17406203700GB	네트 , 상/우			1			
702	9	17406203800GB	네트 , 하/우			1			
702	10	18366202500GB	핀 COMP , 후드락			1			
702	11	V2183608020	소형육각볼트보통(SP)	M8X20		13			
702	12	13836202300GB	프레임 COMP , 전			1			
702	14	V1122608040	십자홈접시작은나사			4			
702	15	17406202700GB	후드 프레임 COMP , 후			1			
702	15	11866202700GB	후드 프레임 COMP , 후			1			
702	15	13836202701GB	후드 프레임 COMP , 후			1			
702	16	V1122608016	십자홈접시작은나사			4			
702	17	17406203101SR	후드 COMP			1			
702	17	17406203102SR	후드 COMP			1			
702	17	17406203103SR	후드 COMP			1			
702	18	35605033020	와이어인출용와셔			12			
702	19	37371720090	메인하니스 클램프(하)			6			
702	19	13764020030	케이블타이(140)			6			
702	19	36571720090	메인 하니스 클램프			6			
702	20	V3802600060	플랜지붙이육각너트			16			
702	21	17406203010GB	플레이트 , 상/사이드			4			
702	21	17406203011GB	플레이트 , 상/사이드			4			
702	21	17406203010GB	플레이트 , 상/사이드			4			
702	22	V2123606016	육각볼트(SP)	M6X16		8			
702	23	17406203020GB	플레이트 , 중/사이드			2			
702	26	V2123606025	육각볼트(SP)	M6X25		2			
702	27	17406525001	헤드램프 ASSY , 우			1			
702	28	17406524001	헤드램프 ASSY , 좌			1			
702	29	36108010080	종자출구스프링(HC016)			2			
702	30	17406203900	인슐레이터 , 후드			1			
702	31	19027210060	나일론너트(M6)			6			
702	34	19959010010	엠블럼			1			
702	34	19959010011	엠블럼			1			
702	34	17406212000	엠블럼 ASSY , V5			1			
702	35	V4111600060	평와셔	M6		2			
702	37	V4111600080	평와셔	M8		1			
NOTE									



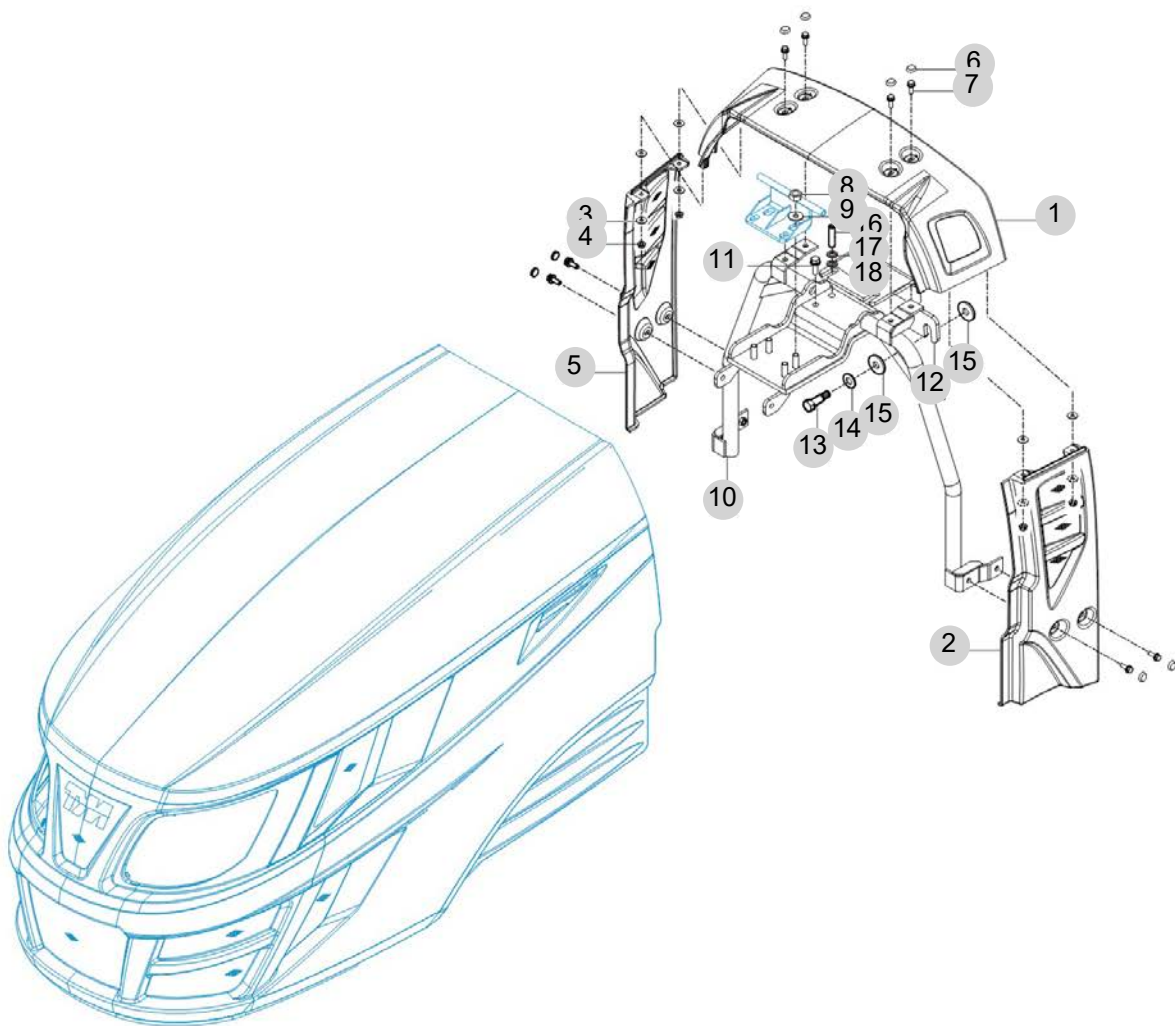
FIG 703

T475NCEU

EXTENSION COVER

년/월  
Year/Month

2022-12



NOTE



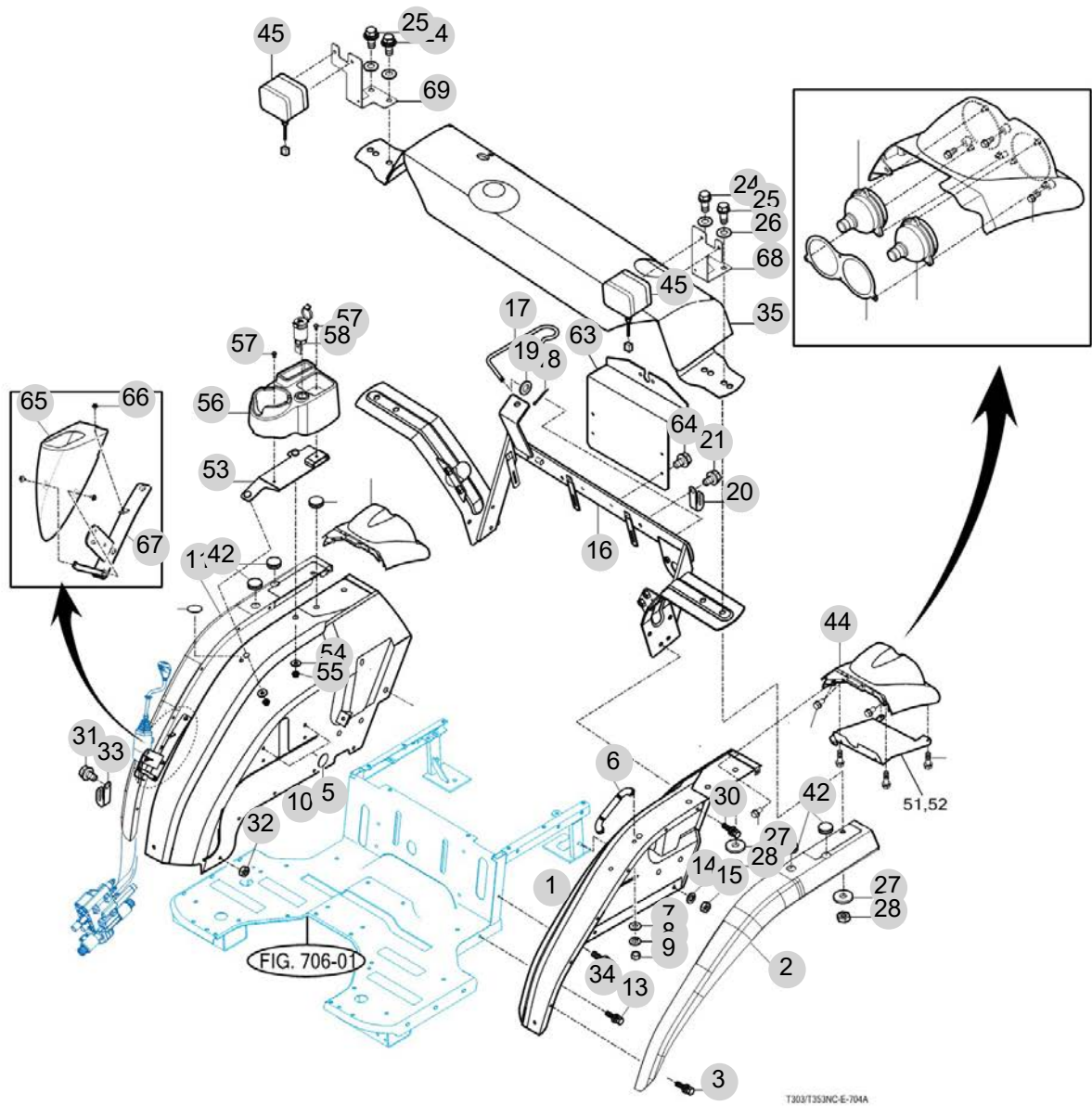
FIG 704

T475NCEU

FENDER & REAR FRAME

년/월  
Year/Month

2022-12



NOTE

FIG 704		FENDER & REAR FRAME					년/월 Year/Month		
							2022-12		
T475NCEU		KEY NO	PART NO	DESCRIPTION	SPEC	QTY	REPAIR	EFFECTIVE DATE	REMARKS
704	1	14726063502SR	휀더(LH)COMP			1			
704	2	12656060041SR	훗받이 휀더 (LH)			1			
704	3	V2193606016	육각볼트(SPL)	M6X16		12			
704	4	V2123606012	육각볼트(SP)	M6X12		14			
704	5	16606070031	캡(9)			10			
704	6	14726071101	손잡이 COMP			1			
704	7	35602010150	결속축와셔			2			
704	8	V4011600080	스프링와셔	M8		2			
704	9	V3042600080	소형육각너트보통2종	M8		2			
704	10	14726063602SR	휀더(RH)COMP(PNT)			1			
704	11	10526060021SR	훗받이 휀더 (RH)			1			
704	12	13016060030	리어 램프 커버(우)			1			
704	13	V2183608020	소형육각볼트보통(SP)	M8X20		8			
704	14	V4011600080	스프링와셔	M8		4			
704	15	V3042600080	소형육각너트보통2종	M8		4			
704	16	16707035403SR	리어프레임(연료탱크)COMP			1			
704	17	14885251100	후크(톱링크)			1			
704	18	V5001920015	분할핀	2X15		1			
704	19	V4111600060	평와셔	M6		1			
704	20	14256210040	하니스클램프(9)			1			
704	21	V2123606012	육각볼트(SP)	M6X12		1			
704	24	V2173612040	소형육각볼트보통(S)			2			
704	25	V2173612035	소형육각볼트보통(S)			2			
704	26	V4111600120	평와셔			4			
704	27	36217020030	플리 와셔			4			
704	28	V3043600120	소형육각너트보통2종			4			
704	29	14326510210	고무캡(20)			2			
704	30	V2183608020	소형육각볼트보통(SP)	M8X20		2			
704	31	V2183608020	소형육각볼트보통(SP)	M8X20		1			
704	32	V3042600080	소형육각너트보통2종	M8		1			
704	33	14256210040	하니스클램프(9)			1			
704	34	V2183608035	소형육각볼트보통(SP)	M8X35		2			
704	35	14777036302SR	커버 COMP (연료탱크)			1			
704	35	14777036303SR	커버 COMP , 연료탱크			1			
704	38	V2193606020	육각볼트(SPL)			12			
704	39	13016061300	리어램프 고정플레이트			2			
704	40	13367023400	스톱램프 ASSY			2			
704	41	14527023300	방향지시등(REAR)ASSY			2			
704	42	16606510210	고무캡(30)			4			
704	44	13016060020	리어램프커버(좌)			1			
704	45	14886562000	차폭등 ASSY			2			
704	51	13016062000GB	리어램프 커버플레이트 COMP(좌)			1			
704	52	13016063000GB	리어 램프 커버 플레이트 COMP(우)			1			
704	53	11336640100SR	브래킷 COMP , 컵홀더			1			
704	53	11336640101SR	브래킷 COMP , 컵홀더			1			
NOTE									





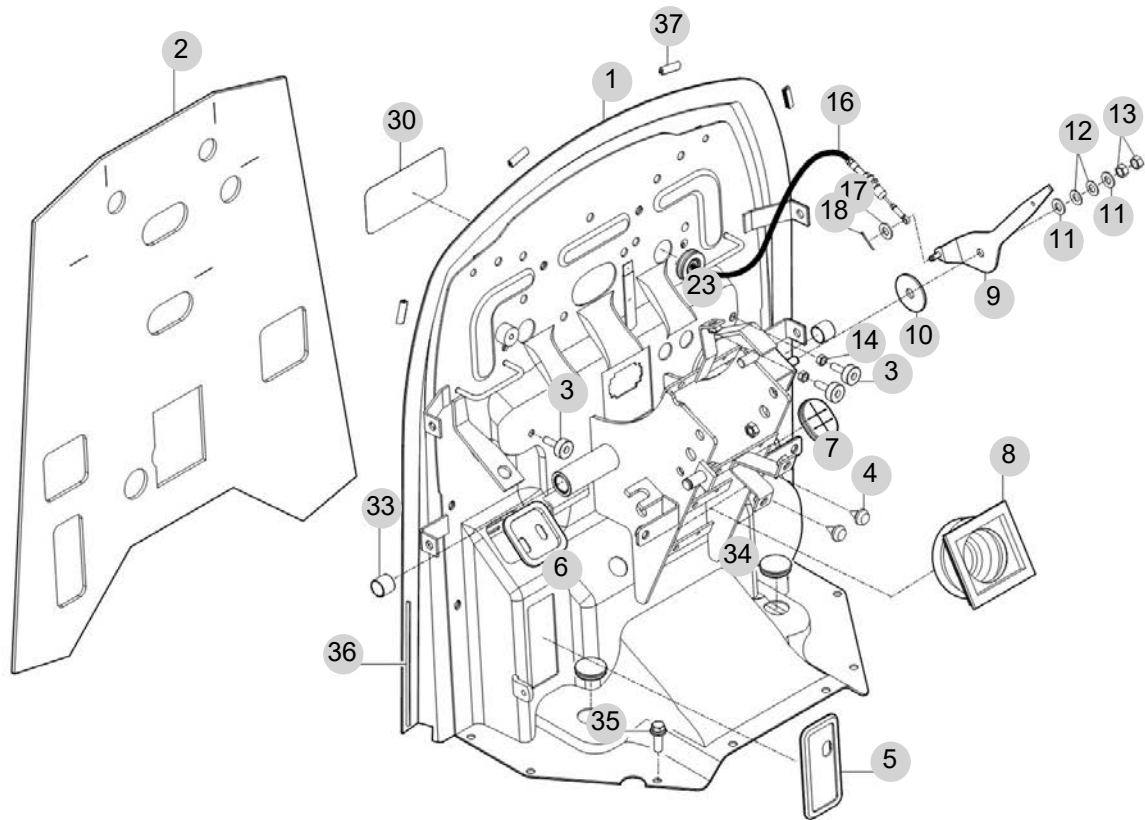
FIG 705

T475NCEU

DASHBOARD

년/월  
Year/Month

2022-12



NOTE



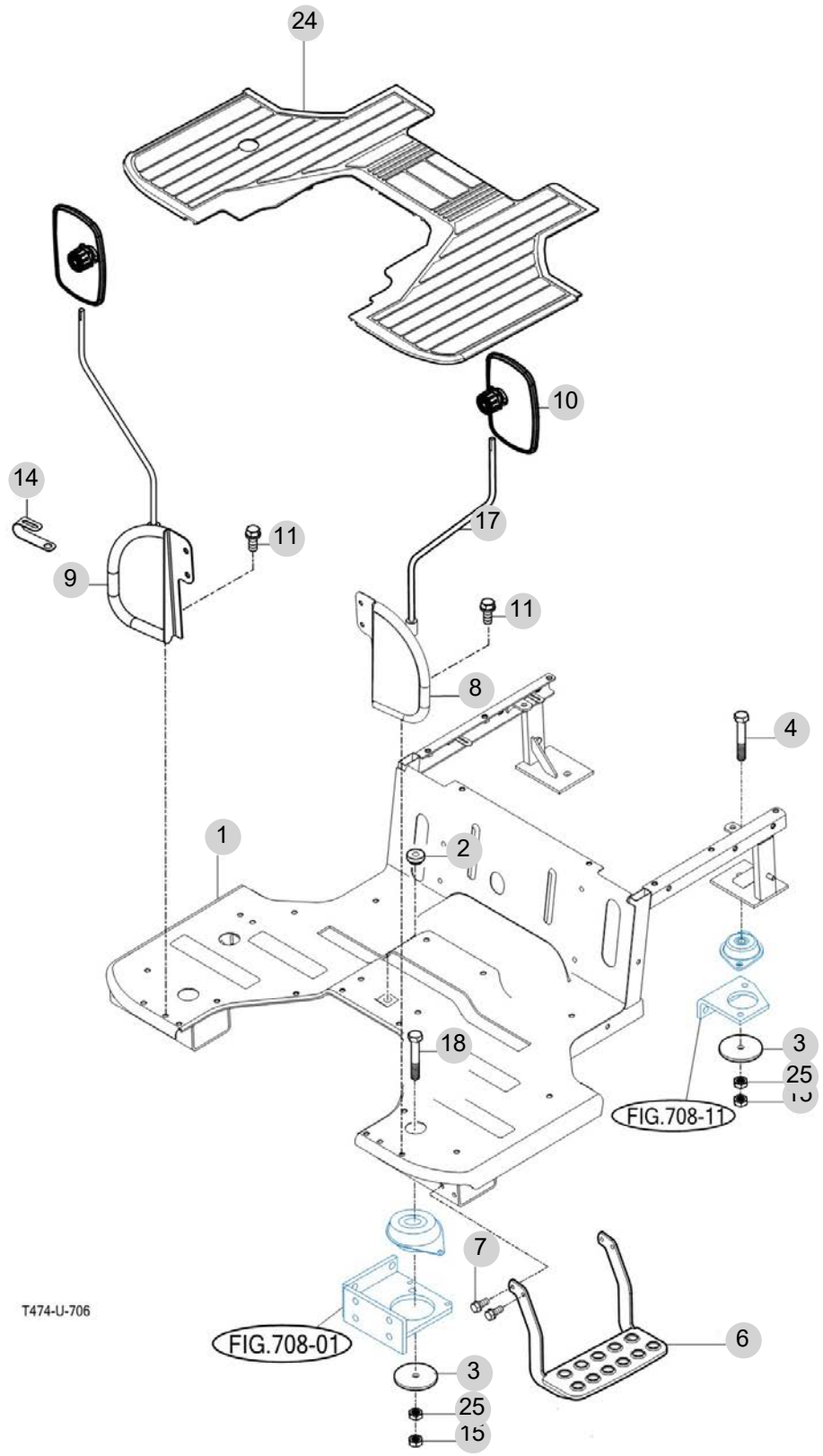
FIG 706

T475NCEU

FLOOR PANEL

년/월  
Year/Month

2022-12



NOTE



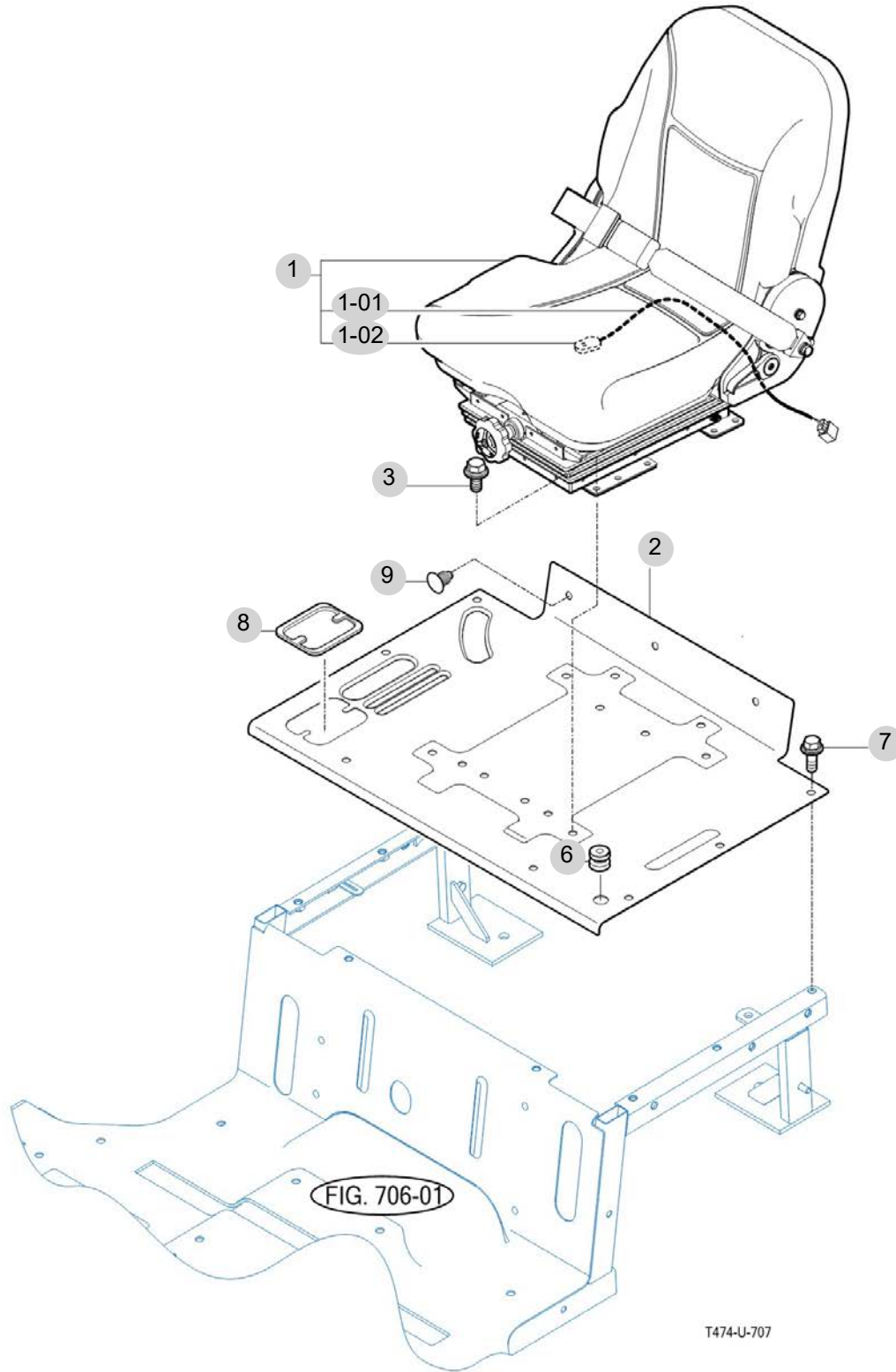
FIG 707

T475NCEU

SEAT

년/월  
Year/Month

2022-12



NOTE



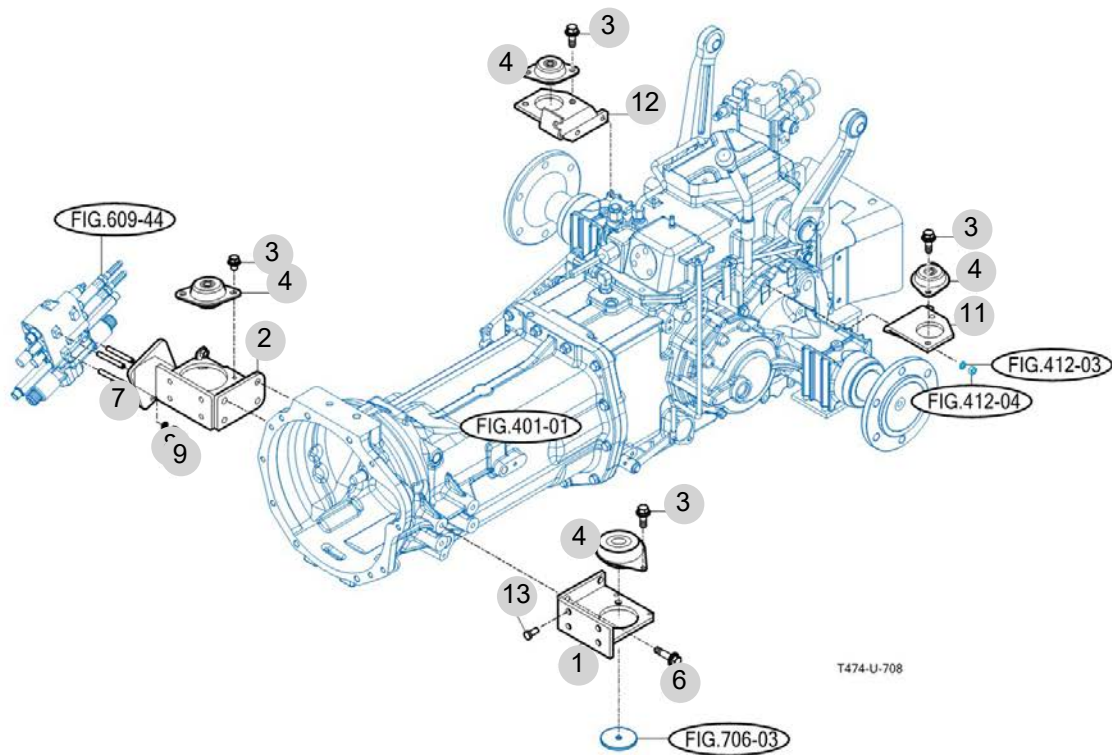
FIG 708

T475NCEU

FRONT & REAR MOUNTING

년/월  
Year/Month

2022-12



NOTE





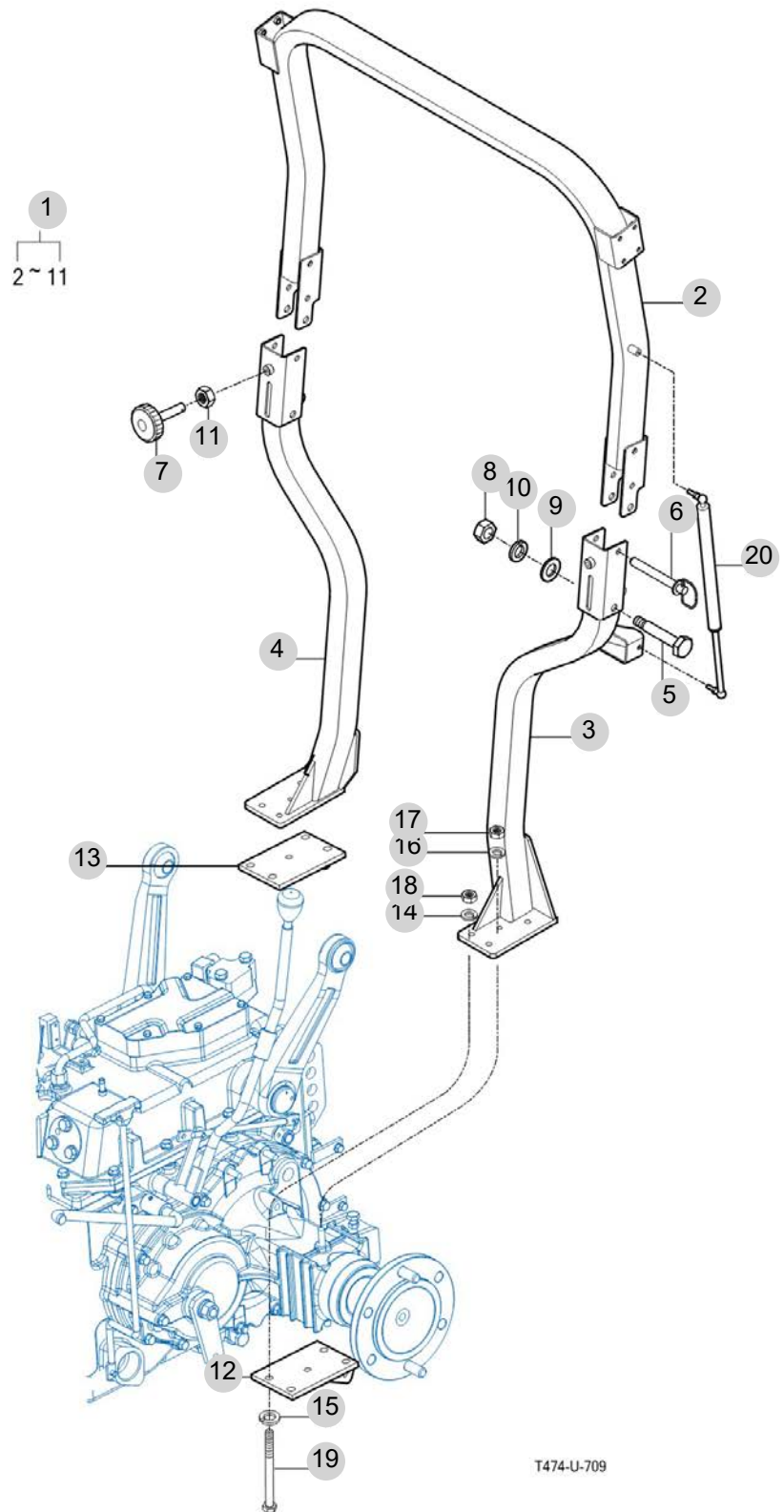
FIG 709

T475NCEU

ROPS

년/월  
Year/Month

2022-12



NOTE



## 8. 전장 PART NO. T8

FIG 801 BATTERY & MOUNTING	232
FIG 802 LAMP	234
FIG 803 INSTRUMENT PANEL	236
FIG 804 ELECTRIC SYSTEM	238
FIG 805 HARNESS	240

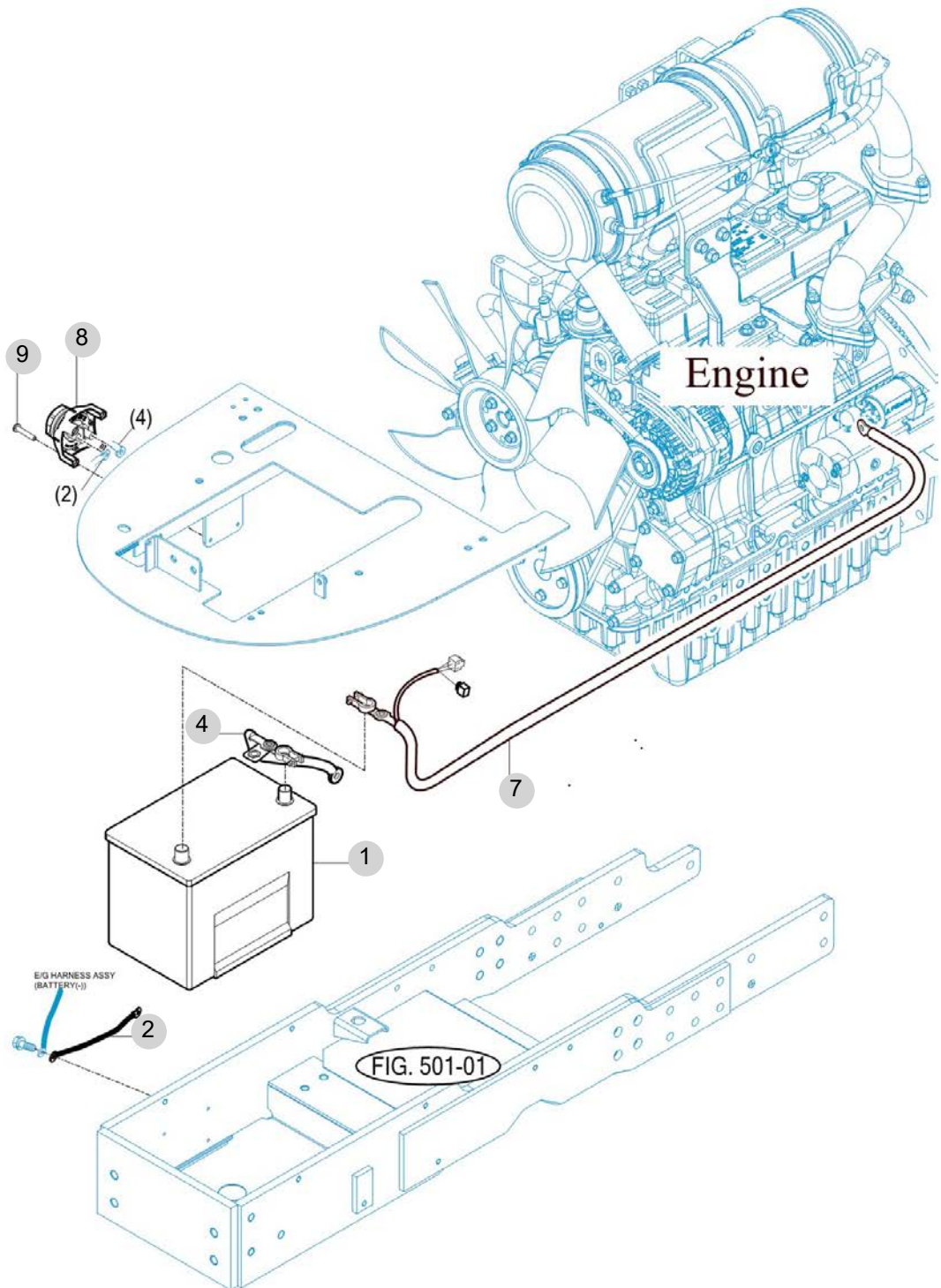
FIG 801

T475NCEU

# BATTERY & MOUNTING

년/월  
Year/Month

2022-12



NOTE



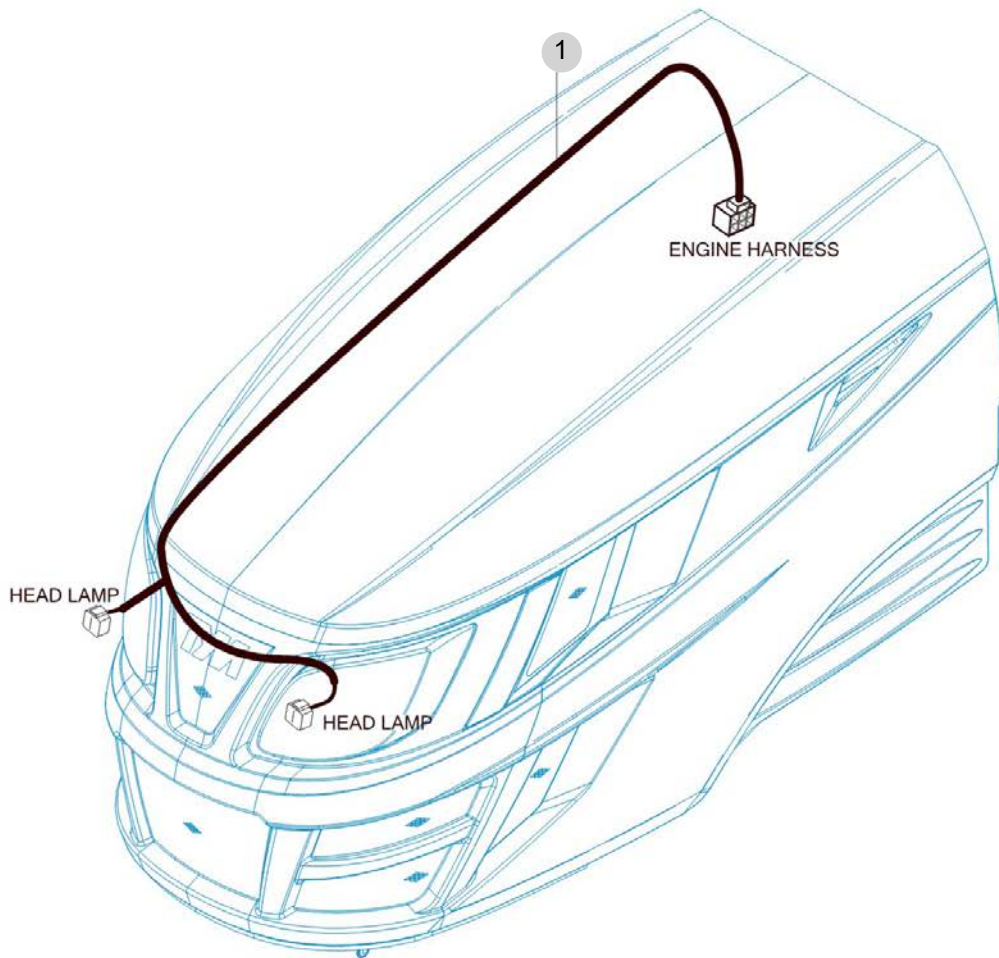
FIG 802

T475NCEU

LAMP

년/월  
Year/Month

2022-12



NOTE



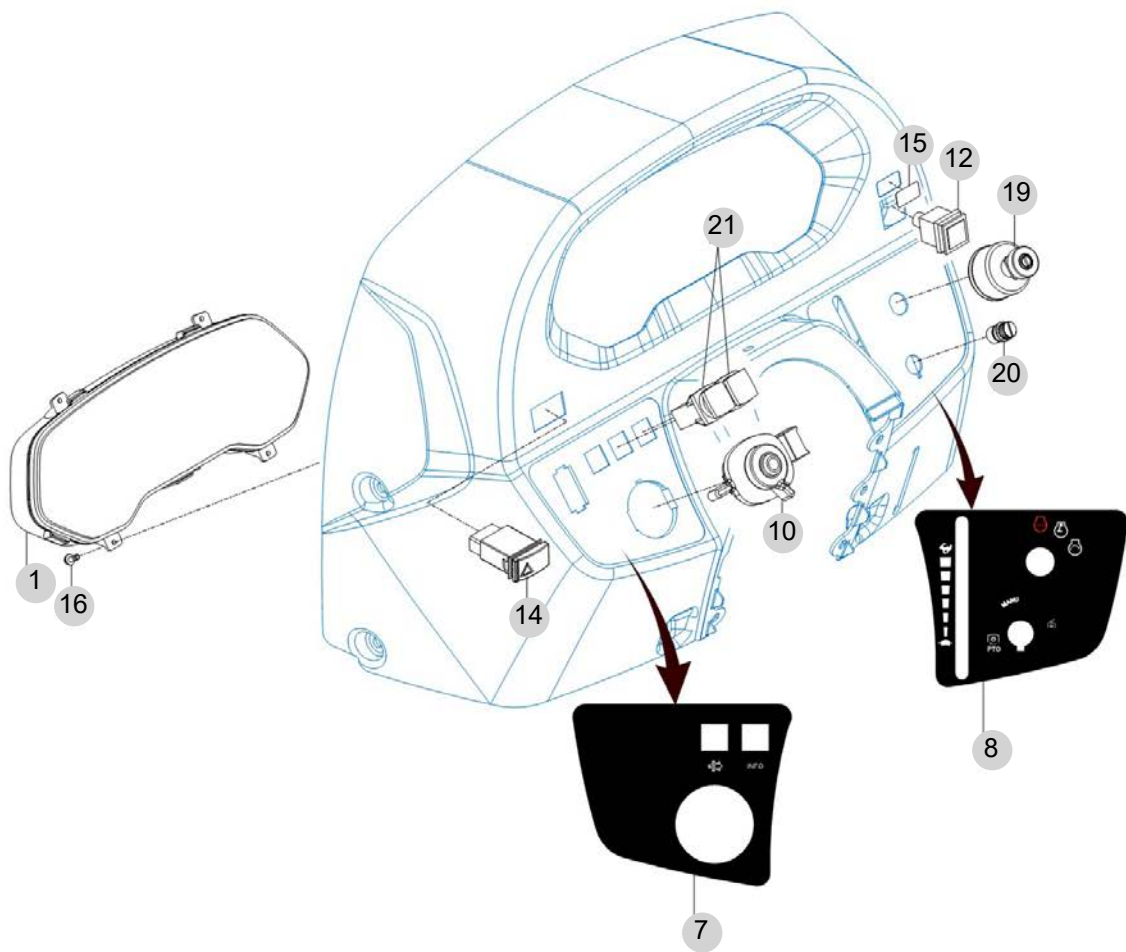
FIG 803

INSTRUMENT PANEL

년/월  
Year/Month

T475NCEU

2022-12



NOTE



KEY NO		PART NO	DESCRIPTION	SPEC	QTY	REPAIR	EFFECTIVE DATE	REMARKS
803	1	13876602102	패널 , 메타		1			
803	1	13876602103	패널 , 메타		1			
803	7	13826031030	라벨 , 좌/컨트롤		1			
803	8	10986031040	라벨 , 우/컨트롤		1			
803	10	13156642202	콤비 스위치		1			
803	12	12516743300	스위치(PTO)ASSY		1			
803	14	14537072501	캡형비상점멸스위치ASSY		1			
803	15	14527078550	라벨,PTO		1			
803	16	V1222604012	십자홍남비작은나사(SP)	M4X12	4			
803	19	14527078702	스위치셋트,키		1			
803	20	13746462600	스위치 ASSY, 4단 PTO 모드		1			
803	21	20085312600	마커스위치 ASSY		2			
NOTE								

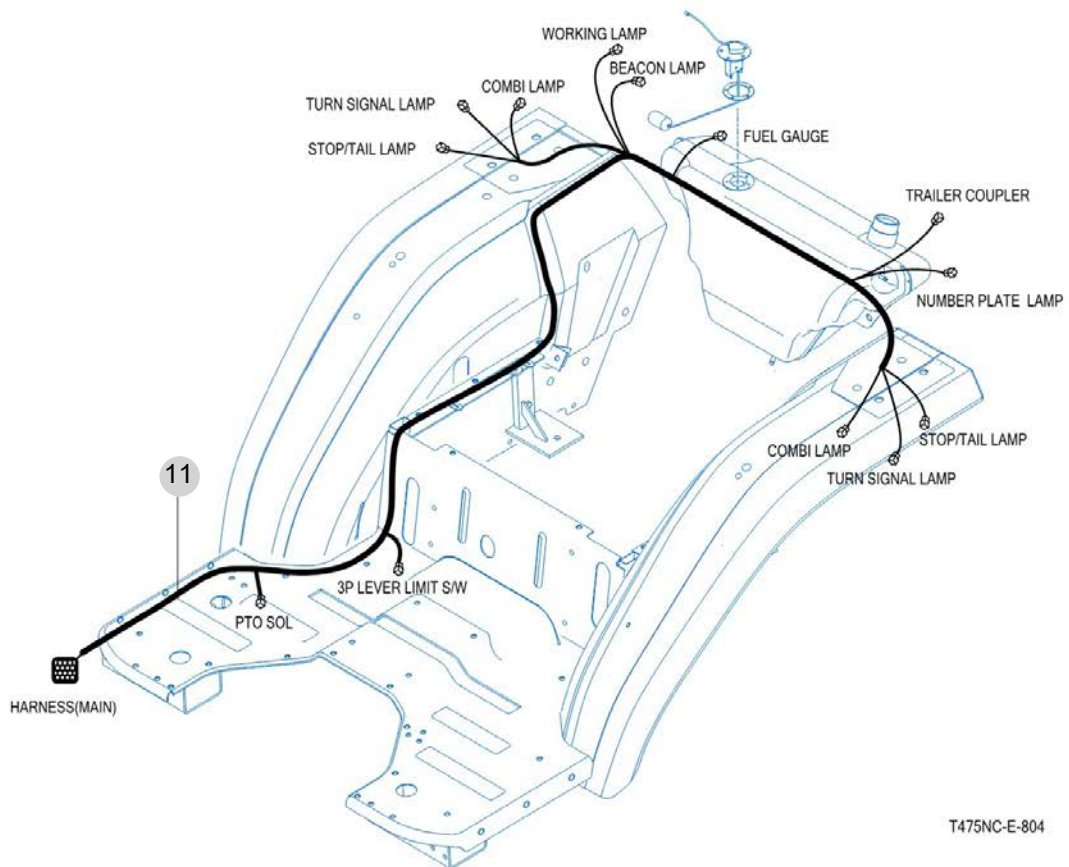
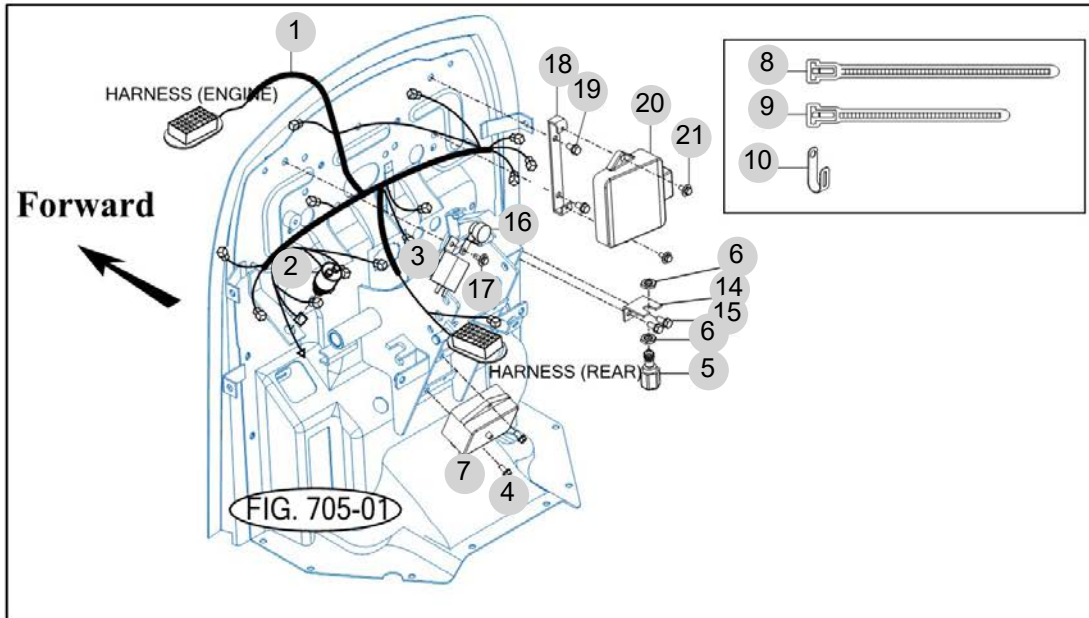
FIG 804

T475NCEU

ELECTRIC SYSTEM

년/월  
Year/Month

2022-12



T475NC-E-804

NOTE



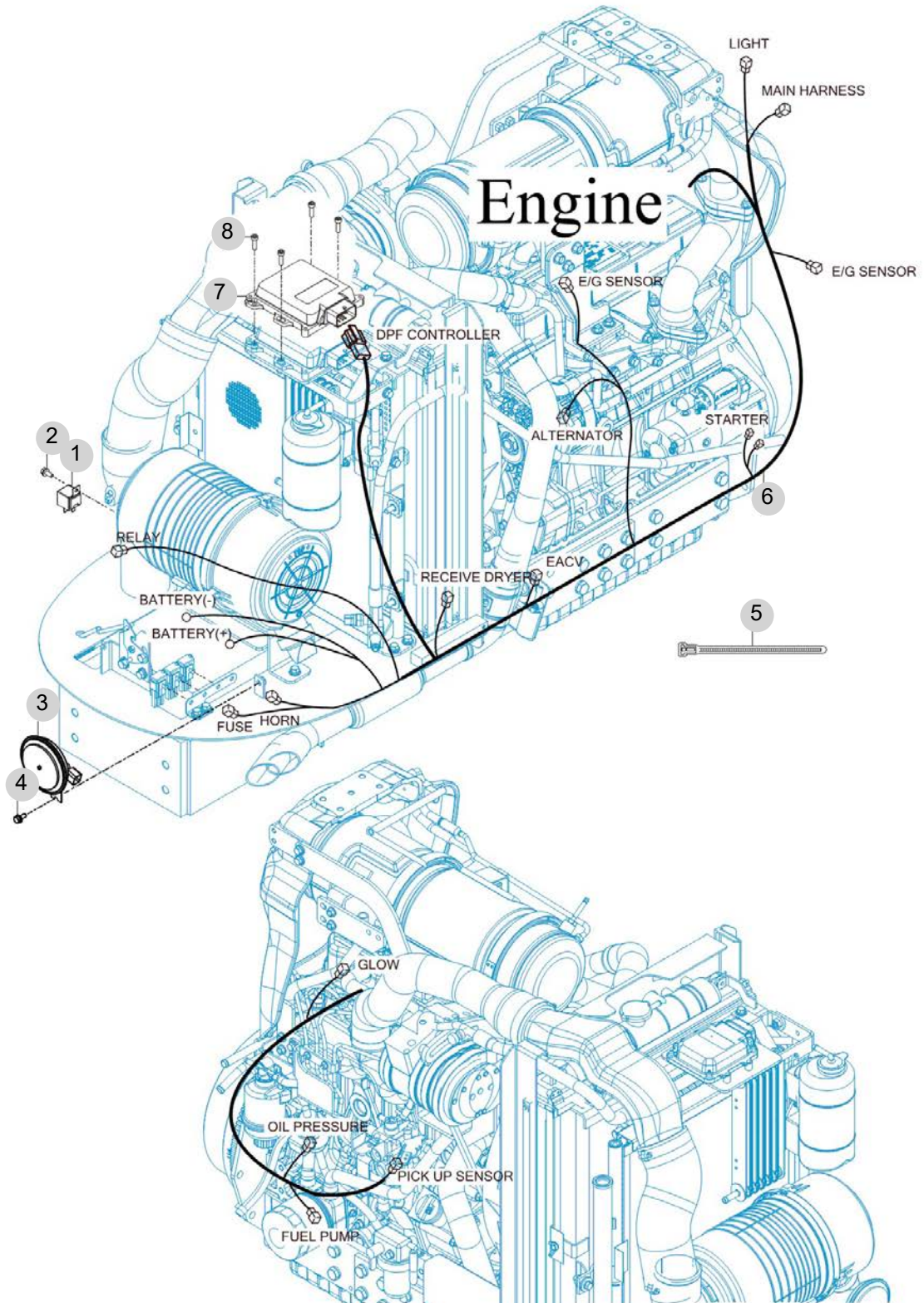
FIG 805

HARNESS

년/월  
Year/Month

T475NCEU

2022-12



NOTE



## 9. 라벨/옵션 PART NO. T9

FIG 901 TOOL & ACCESSORY	243
FIG 902 WEIGHT	245
FIG 903-1 LABEL	247
FIG 903-2 LABEL	250

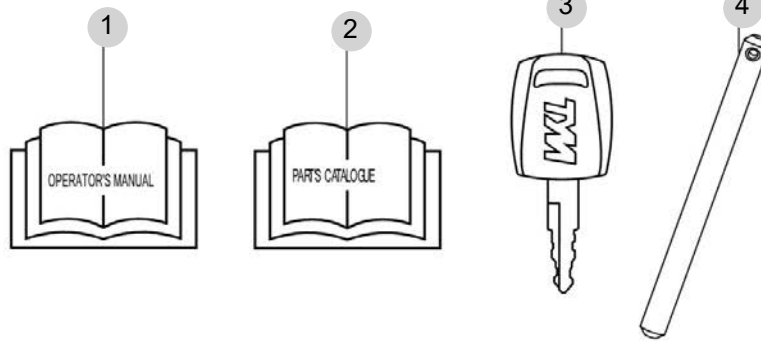
FIG 901

T475NCEU

TOOL & ACCESSORY

년/월  
Year/Month

2022-12



T474-U-901

NOTE





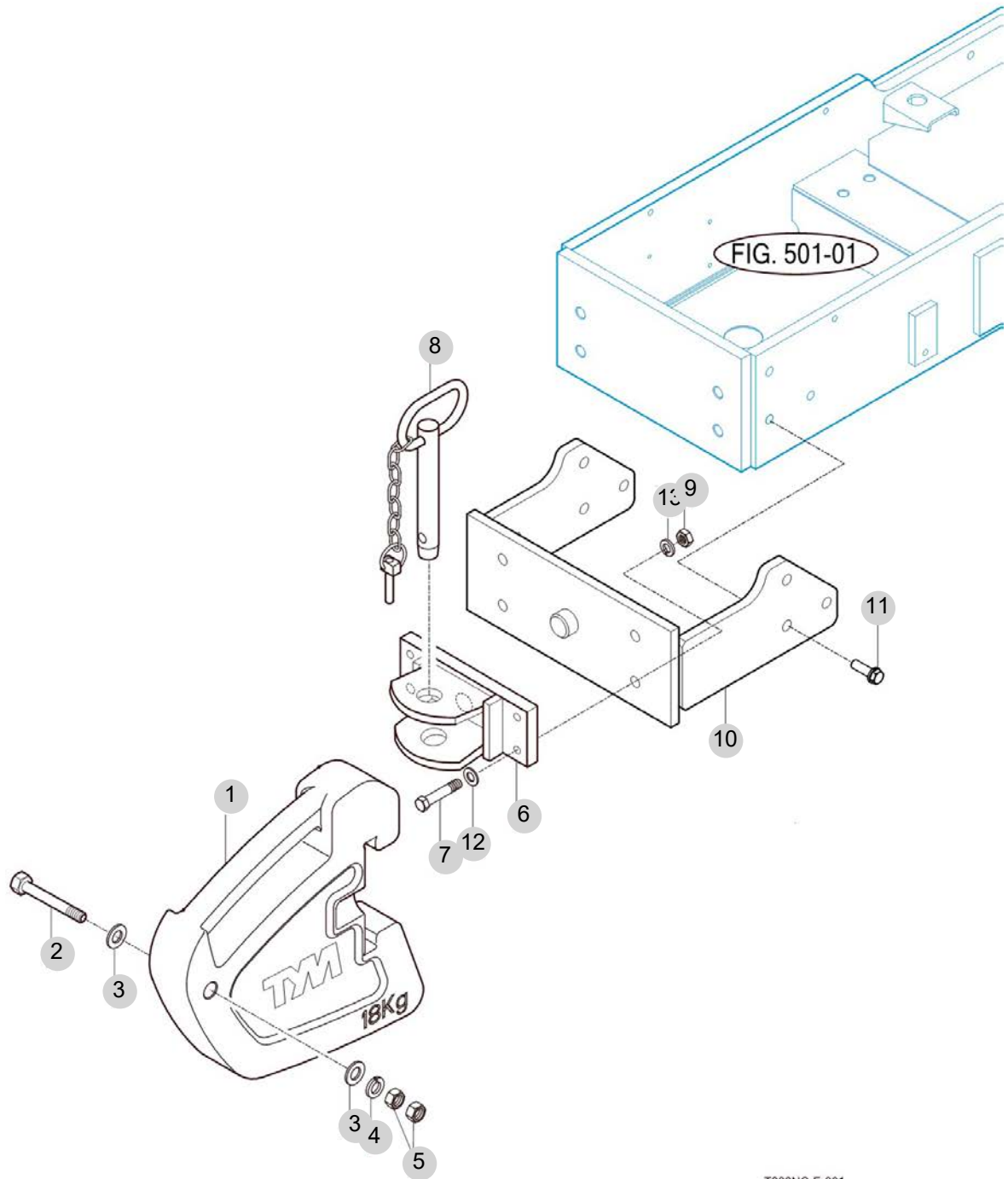
FIG 902

T475NCEU

WEIGHT

년/월  
Year/Month

2022-12



T393NC-E-901

NOTE



FIG 903-1

LABEL

년/월  
Year/Month

T475NCEU

2022-12

**⚠ DANGER**

This Tractor may tip over unexpectedly and quicker than an operator is able to jump free

1. Never operate a tractor without a proper Roll over Protection Structure (ROPS)
2. Always wear your seat belt when operating this tractor equipped with roll over protection.
3. Never pull from above or from the rear axle.
4. Do not operate the tractor on steep slopes or near drop offs
5. Avoid sharp high speed turns. Serious injury or death may result from tractor upsets.

1200-904-801-0

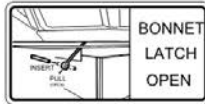
27

**⚠ WARNING**

Death or injury may result if this tractor over turns with the ROPS in the folded down position. Operate this tractor with the ROPS folded down only when necessary. Do not wear seat belt if operated with ROPS folded down

1220-904-902-0

26



24

**⚠ WARNING**

Work in ventilated Area.

1200-910-003-0

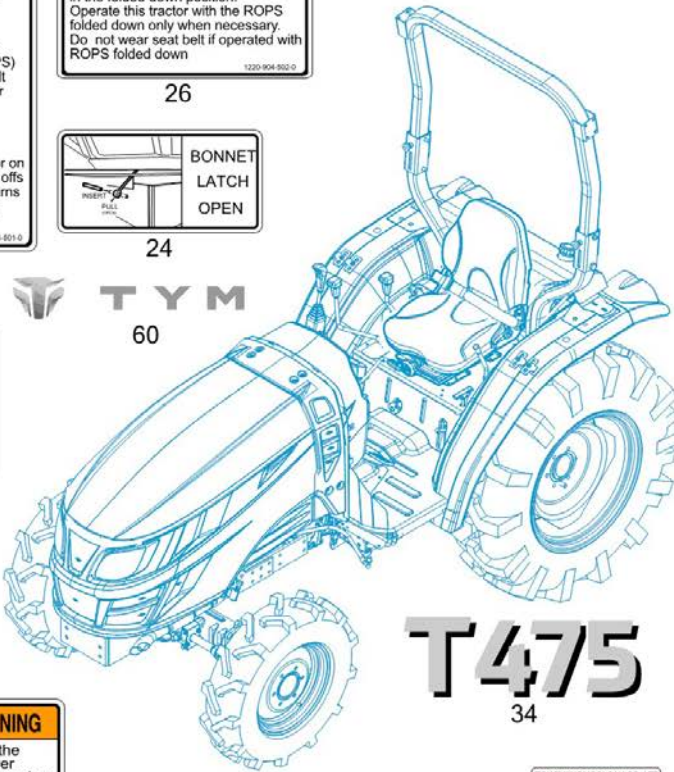
11

**⚠ DANGER**

Do not ride except operator.

1200-910-004-0

12



TYM  
60

T475  
34

**⚠ WARNING**

Additions, alterations, cracking, damage or corrosion to this structure may adversely affect the performance of the ROPS.

36

**⚠ WARNING**

Do not refuel the tractor while smoking or near naked flame or sparks. always stop engine before refueling tractors.

1200-910-007-0

15

**⚠ WARNING**

Do not use the sub shift lever at "H" position when driving backward.

1200-910-011-0

10



2

TYONGYANGMOOLSAN CO.,LTD

TYPE - TCC1

**e13**

00073 NS

T : 3.0 tonne  
S : 300 kg

29



20

21

**⚠ WARNING**

Never use the diff-lock at high speed or on the road as this can cause rollover and injury.

1200-910-008-0

16

**⚠ WARNING**

Do not remove radiator cap while engine is hot. Hot steam will injure you.

1200-910-015-0

7

**⚠ WARNING**

Always fasten Your seat belt.

1200-910-019-0

13

**⚠ CAUTION**

Keep hands and clothing away from rotating fan and belts to prevent serious injury.

1200-910-012-0

6

**⚠ CAUTION**

Do not touch while the system is hot. It cause serious burns

1200-910-024-0

5



19

**⚠ WARNING**

LOCK → UNLOCK

LOCK BUTTEN

Push the butten to lock position with joystick lever is neutral whenever the implement is not operation.

1789-910-009-0

25



47

**DPF regeneration procedure**

When DPF lamp on and beep, follow below

Do this	Operate (about 30min)	Complete
1. Park outside safe location		
2. Stop all functions		
3. Parking brake ON		
4. Engine speed to Max RPM		
5. Press the regen button		
6. Must remain with the vehicle		

DPF+EGT ON + Button blinking

Lamp off

For further details, consult your Operator's Manual

1200-910-021-0

49

NOTE

FIG 903-1 T475NCEU		LABEL					년/월 Year/Month	
							2022-12	
KEY NO	PART NO	DESCRIPTION	SPEC	QTY	REPAIR	EFFECTIVE DATE	REMARKS	
903-1	2	12009040041	유압컨트롤마크		1			
903-1	3	12009100020	라벨, 경고/파킹		1			
903-1	4	12009100070	라벨, 경고/브레이크		1			
903-1	5	12009100240	라벨, 주의/소음기		1			
903-1	6	12009100120	라벨, 주의/팬		2			
903-1	7	12009100150	라벨, 경고/라디에이터캡		1			
903-1	8	12009100230	라벨, 주의/취급		1			
903-1	9	12009100130	라벨, 위험/PTO		1			
903-1	10	12009100010	라벨, 경고/부변속		1			
903-1	11	12009100030	라벨, 경고/배기가스		1			
903-1	12	12009100160	라벨, 위험/동승금지		1			
903-1	13	12009100190	라벨, 경고/안전벨트		1			
903-1	14	12009100210	라벨, 경고/스로틀		1			
903-1	15	12009100050	라벨, 경고/화기염금		1			
903-1	16	12009100060	라벨, 경고/차동고정		1			
903-1	17	12009100140	라벨, 경고/견인		1			
903-1	18	17689100170	라벨, 주의/안전		1			
903-1	19	17689200050	라벨, 취급/차동고정		1			
903-1	20	12519020060	라벨(PTO)		1			
903-1	21	14979010070	라벨(부변속)		1			
903-1	23	15189030060	포트마크(A)		1			
903-1	24	10987025120	라벨, 본넷 오픈		1			
903-1	25	17699100090	라벨, 경고/조이스틱		1			
903-1	26	12209045020	라벨(ROPS경고)		1			
903-1	27	12209045010	라벨(ROPS위험)		1			
903-1	28	12519430040	4WD마크		1			
903-1	29	12519040230	드로바명판		1			
903-1	32	12609040620	경고(스타트)		1			
903-1	33	12009100040	라벨, 경고/스톱밸브		1			
903-1	34	10989040042	마크, T475		2			
903-1	34	10989040041	마크, T475		2			
903-1	36	12209045051	라벨, 경고/개조		1			
903-1	37	12009100080	라벨, 경고/틸트		1			
903-1	38	12519040190	명판(승강장치/상승) CONTROL ID		1			
903-1	39	12519040200	명판(승강장치/하강) CONTROL ID		1			
903-1	40	12519100130	라벨, 그리스		1			
903-1	41	12209040030	라벨(로타리)		1			
903-1	42	12519100140	라벨, 잭포인트		1			
903-1	43	14729040200	라벨(PTO레버)		1			
903-1	44	13829040030	라벨, 취급/차속표		1			
903-1	45	14529201120	라벨, 리버스		1			
903-1	46	17699100100	라벨, 경고/조이스틱밸브		1			
903-1	47	10969040690	형식마크(ROPS)		1			
903-1	48	12519040920	라벨(보조유압/A)		1			
903-1	49	13839209010	라벨, 조작/DPF 재생 스위치		1			
NOTE								



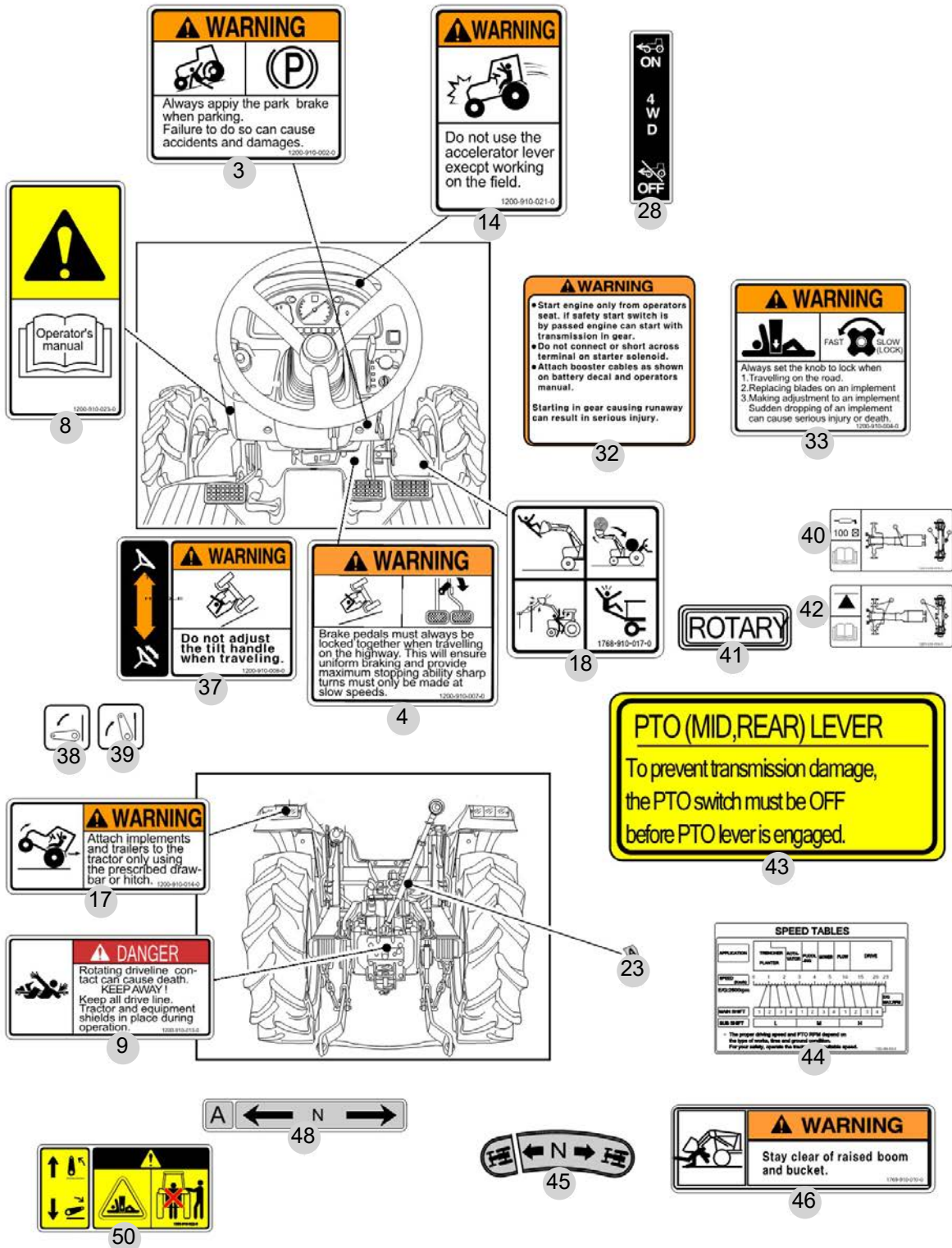
FIG 903-2

T475NCEU

LABEL

년/월  
Year/Month

2022-12



NOTE

FIG 903-2		LABEL						년/월 Year/Month	
								2022-12	
T475NCEU		KEY NO	PART NO	DESCRIPTION	SPEC	QTY	REPAIR	EFFECTIVE DATE	REMARKS
903-2	2	12009040041	유압컨트롤마크			1			
903-2	3	12009100020	라벨, 경고/파킹			1			
903-2	4	12009100070	라벨, 경고/브레이크			1			
903-2	5	12009100240	라벨, 주의/소음기			1			
903-2	6	12009100120	라벨, 주의/팬			2			
903-2	7	12009100150	라벨, 경고/라디에이터캡			1			
903-2	8	12009100230	라벨, 주의/취급			1			
903-2	9	12009100130	라벨, 위험/PTO			1			
903-2	10	12009100010	라벨, 경고/부변속			1			
903-2	11	12009100030	라벨, 경고/배기가스			1			
903-2	12	12009100160	라벨, 위험/동승금지			1			
903-2	13	12009100190	라벨, 경고/안전벨트			1			
903-2	14	12009100210	라벨, 경고/스로틀			1			
903-2	15	12009100050	라벨, 경고/화기염금			1			
903-2	16	12009100060	라벨, 경고/차동고정			1			
903-2	17	12009100140	라벨, 경고/견인			1			
903-2	18	17689100170	라벨, 주의/안전			1			
903-2	19	17689200050	라벨, 취급/차동고정			1			
903-2	20	12519020060	라벨(PTO)			1			
903-2	21	14979010070	라벨(부변속)			1			
903-2	22	13019041130	라벨, TYM(35)			2			
903-2	23	15189030060	포트마크(A)			1			
903-2	24	10987025120	라벨, 본넷 오픈			1			
903-2	25	17699100090	라벨, 경고/조이스틱			1			
903-2	26	12209045020	라벨(ROPS경고)			1			
903-2	27	12209045010	라벨(ROPS위험)			1			
903-2	28	12519430040	4WD마크			1			
903-2	29	12519040230	드로바명판			1			
903-2	32	12609040620	경고(스타트)			1			
903-2	33	12009100040	라벨, 경고/스톱밸브			1			
903-2	34	10989040040	라벨, 모델명(T475)			2			
903-2	34	10989040041	마크, T475			2			
903-2	34	10989040042	마크, /T475			2			
903-2	36	12209045051	라벨, 경고/개조			1			
903-2	37	12009100080	라벨, 경고/틸트			1			
903-2	38	12519040190	명판(승강장치/상승) CONTROL ID			1			
903-2	39	12519040200	명판(승강장치/하강) CONTROL ID			1			
903-2	40	12519100130	라벨, 그리스			1			
903-2	41	12209040030	라벨(로타리)			1			
903-2	42	12519100140	라벨, 잭포인트			1			
903-2	43	14729040200	라벨(PTO레버)			1			
903-2	44	13829040030	라벨, 취급/차속표			1			
903-2	45	14529201120	라벨, 리버스			1			
903-2	46	17699100100	라벨, 경고/조이스틱밸브			1			
903-2	47	10969040690	형식마크(ROPS)			1			
NOTE									

FIG 903-2

LABEL

년/월  
Year/Month

T475NCEU

2022-12

KEY NO		PART NO	DESCRIPTION	SPEC	QTY	REPAIR	EFFECTIVE DATE	REMARKS
903-2	48	12519040920	라벨(보조유압/A)		1			
903-2	49	13839209010	라벨, 조작/DPF 재생 스위치		1			
903-2	50	13839100220	라벨, 경고/외부포지션레버		1			
NOTE								